

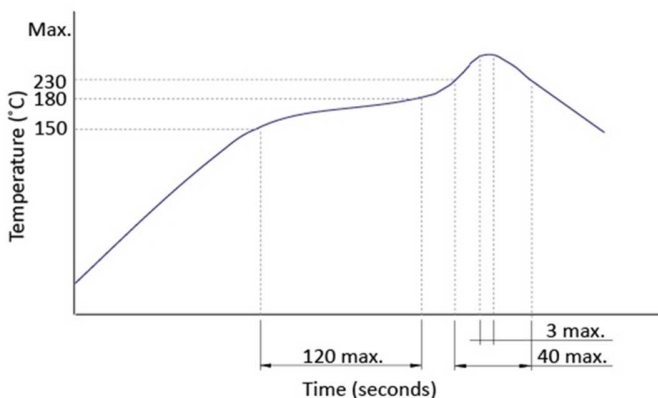
Electrical Specifications

Parameter	Conditions & Remarks	Min	Max	Unit
Contact Resistance			100	milliohms
Insulation Resistance	Between insulated terminals	100		megohms
Dielectric Strength	1 minute between adjacent switches		250	VAC
Nonswitching Rating			50 or 12	mA or VDC

Mechanical and Environmental

Soldering	Maximum reflow temperature, 260°C for 3 seconds Maximum wave temperature, 265°C for 5 seconds Maximum manual temperature, 350°C for 3 seconds
RoHS	Lead-Free. Fully compliant to RoHS Directive 2011/65/EU and 2015/863/EU
Operating Force	200gf ± 50gf
Actuation Life	100,000 cycles
Actuator Strength	2 Kg maximum
Travel	0.7 ± 0.2mm
Packaging	Standard tape and reel packaging for surface mount gull wing terminal Tray packaging for standard through hole
Operating Temperature Range	-40°C to +85°C
Storage Temperature Range	-40°C to +85°C
Waterproof Grade	IP67
MSL Level	1 for tray packaging 3 for tape and reel packaging

Soldering Profile



LED Specifications

Color	Reversed Voltage	Forward Current	Recommended Operating Current	Forward Voltage	
				Nor	Max
Red	5 Vdc	20 mA	20 mA	1.7V	2.4V
Green	5 Vdc	20 mA	20 mA	1.9V	2.4V
Yellow	5 Vdc	20 mA	20 mA	1.9V	2.4V
Blue	5 Vdc	20 mA	20 mA	3.0V	3.6V
White	5 Vdc	20 mA	20 mA	3.0V	3.6V

Mechanical Specifications

Figure 1 – 228EMV, Surface Mount Gull Wing, Vertical Actuation

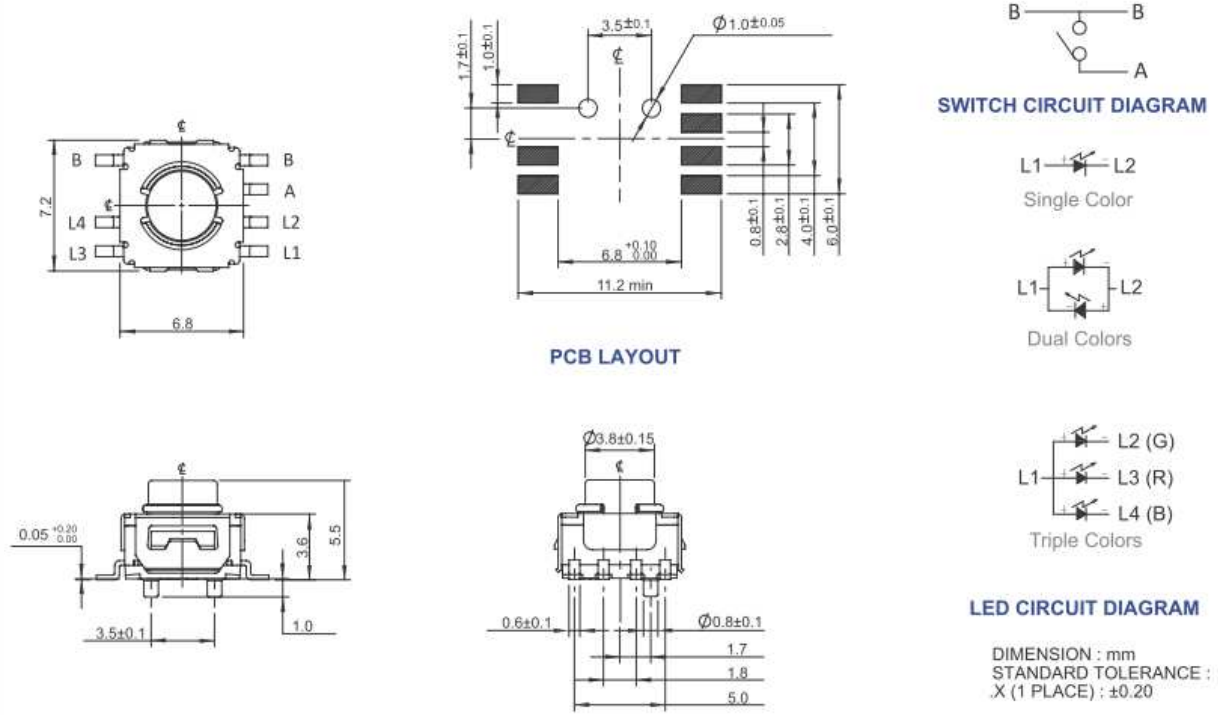


Figure 2 – 228EJV, “J” Bend Terminal, Vertical Actuation

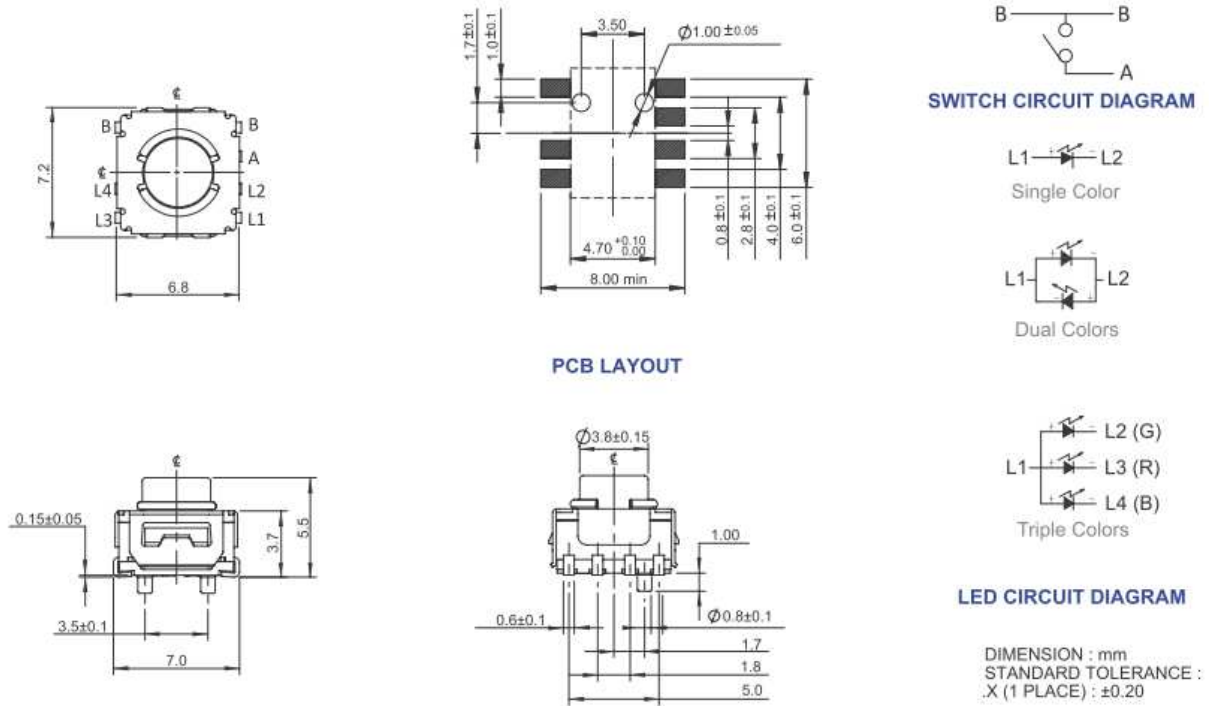


Figure 3 – 228EDV, Standard Though Hole, Vertical Actuation

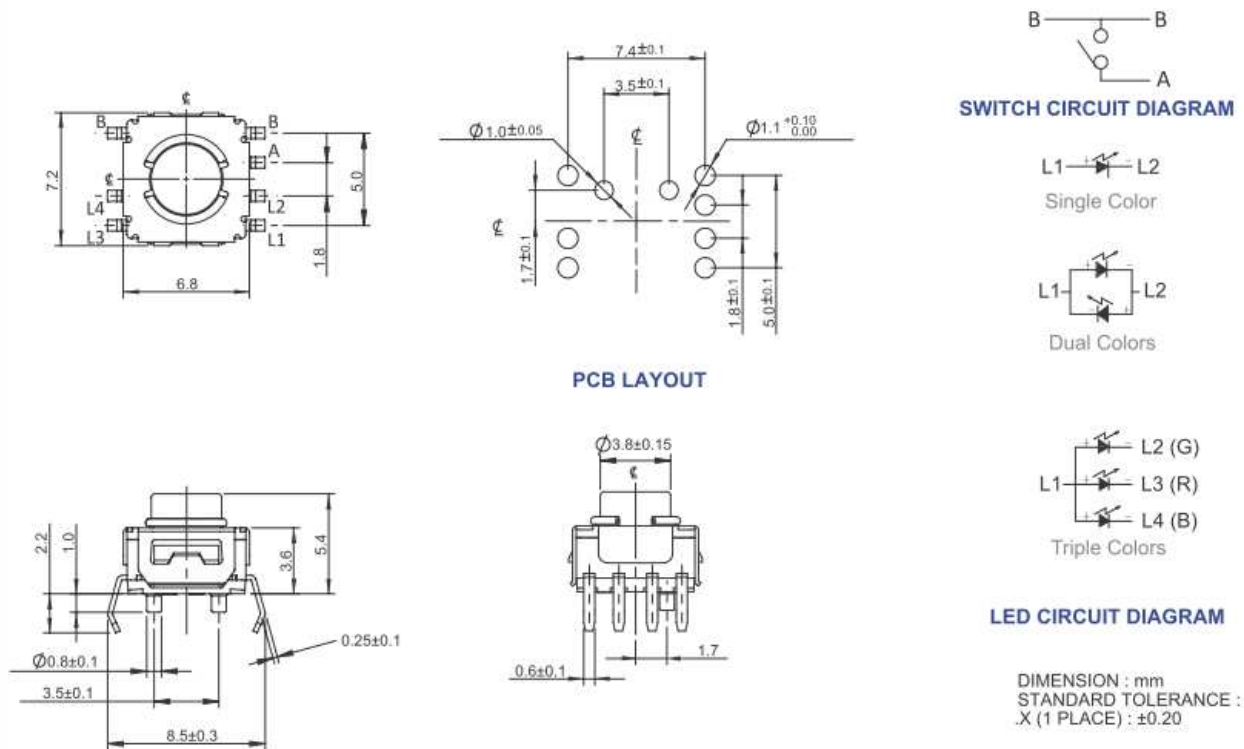


Figure 4 – 228EMS, Surface Mount Gull Wing, Side Actuation

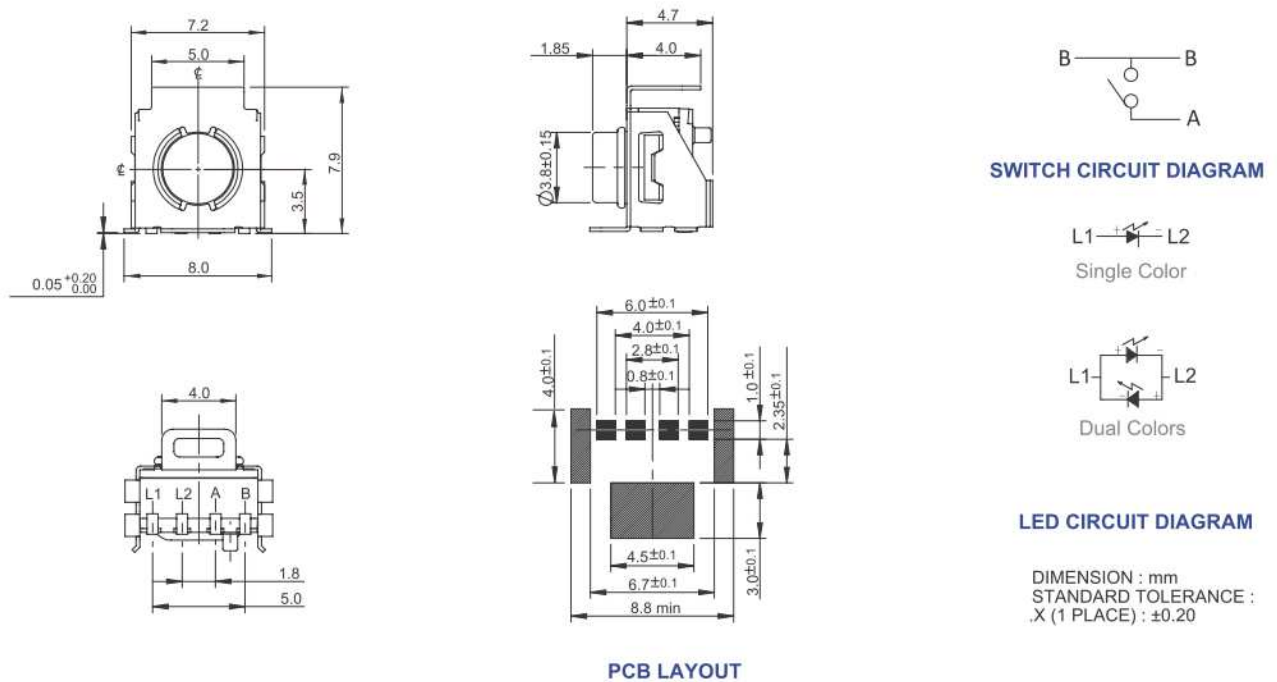
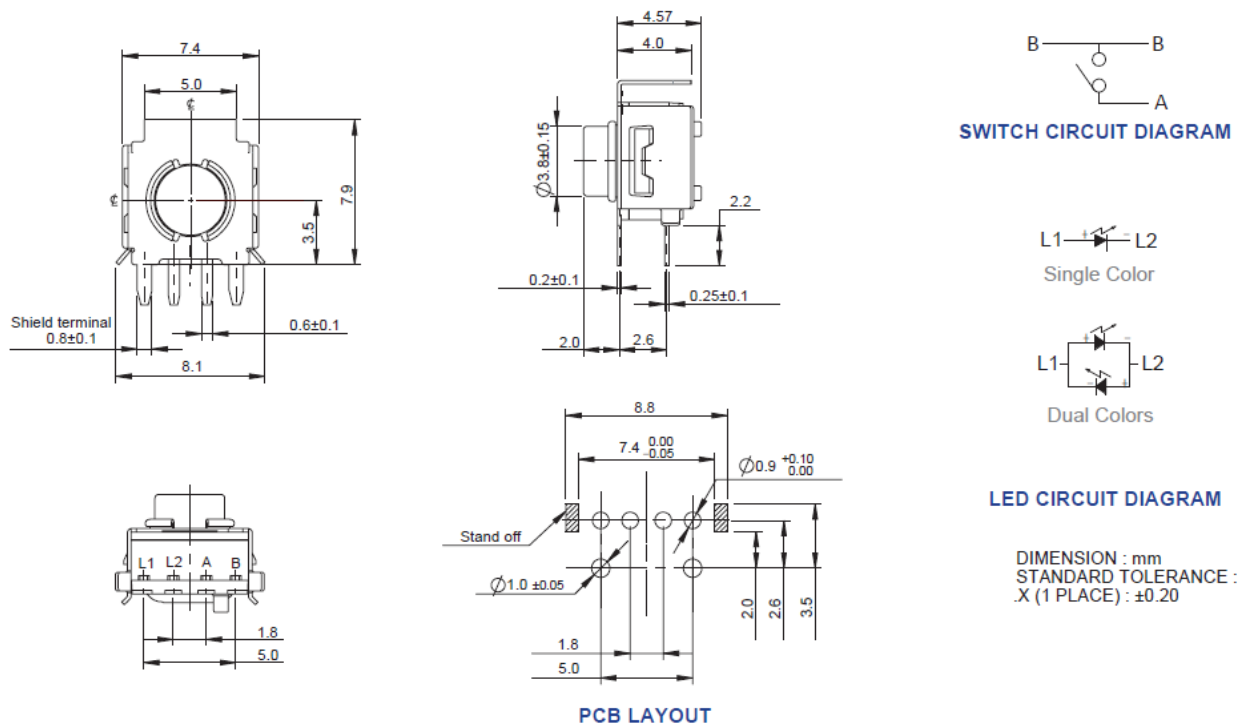


Figure 5 – 228EDS, Standard Through Hole, Side Actuation

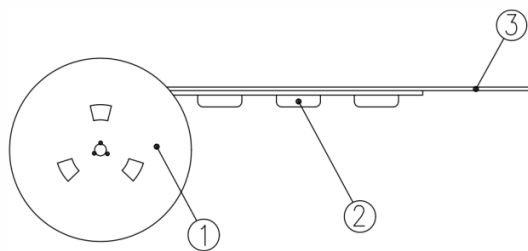


Packing: Tape and Reel

Surface Mount Gull Wing/J Bend Terminal, Vertical Actuation, 228EMV..., 228EJV...

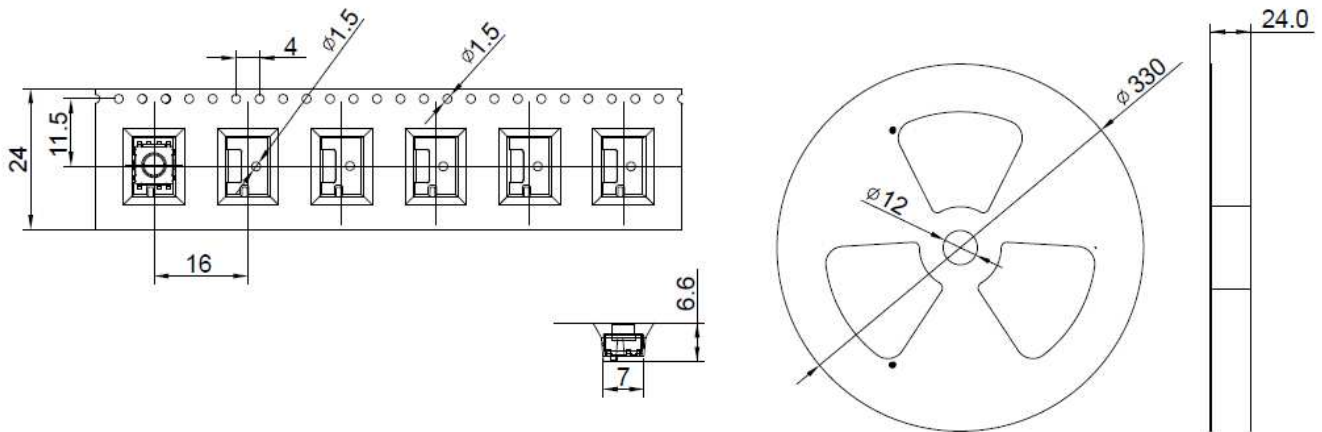
The packing specifications:

1. Structure and materials:



No	PART NAME	MATERIAL
①	REEL	POLYSTYRENE
②	CARRIER TAPE	POLYSTYRENE
③	COVER TAPE	POLYESTER

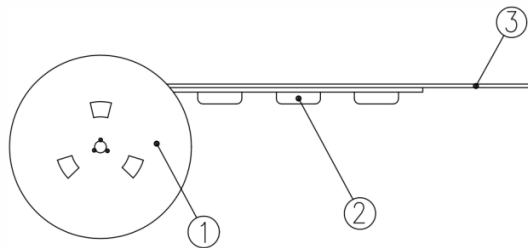
2. Packing quantity: 800 pcs/reel (Gull Wing); 600 pcs/reel (J Bend)
3. More than 15 empty pockets should remain at each end of the carrier tape for each reel.
4. Shortage of less than 10 pcs a reel is acceptable but no more than 3 consecutive empty pockets are allowed.
5. Stripping strength of cover tape is between 10 gf to 130 gf and stripping angle should be within 165°~180°.
6. The product in the pocket of carrier tape should be placed in a specified correct position.
7. Tape and reel per EIA-481.
8. Dimensions:



Surface Mount Gull Wing, Side Actuation, 228EMS...

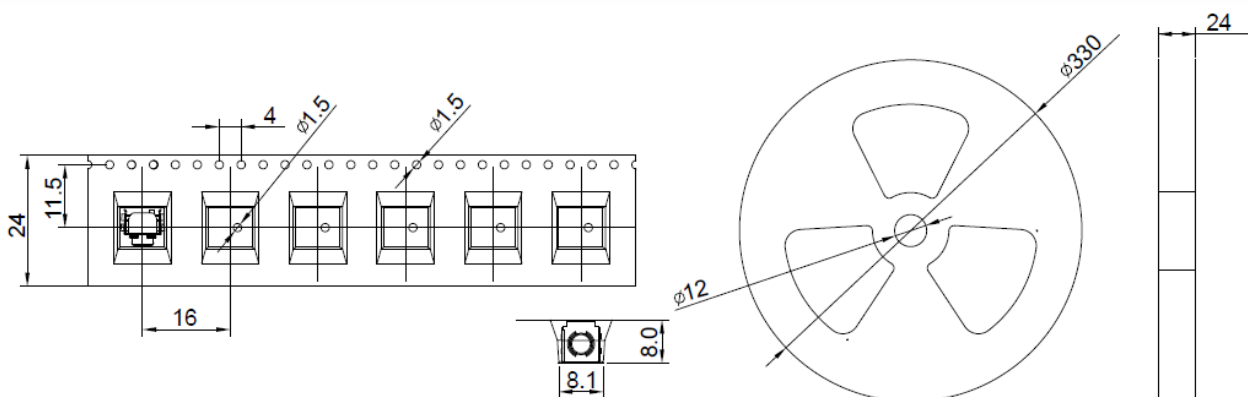
The packing specifications:

1. Structure and materials:



No	PART NAME	MATERIAL
①	REEL	POLYSTYRENE
②	CARRIER TAPE	POLYSTYRENE
③	COVER TAPE	POLYESTER

2. Packing quantity: 500 pcs/reel
3. More than 15 empty pockets should remain at each end of the carrier tape for each reel.
4. Shortage of less than 10 pcs a reel is acceptable but no more than 3 consecutive empty pockets are allowed.
5. Stripping strength of cover tape is between 10 gf to 130 gf and stripping angle should be within $165^{\circ}\sim 180^{\circ}$.
6. The product in the pocket of carrier tape should be placed in a specified correct position.
7. Tape and reel per EIA-481.
8. Dimensions:



X-ON Electronics

Largest Supplier of Electrical and Electronic Components

Click to view similar products for [Tactile Switches](#) category:

Click to view products by [CTS](#) manufacturer:

Other Similar products are found below :

[6407-250V-25273P](#) [ADTSA62NV](#) [B3F-3123](#) [1977177-8](#) [1977266-1](#) [ADTSA63NV](#) [ADTSM21NSVTR](#) [ADTSM25RVTR](#) [ADTSM32NVTR](#)
[ADTSMW64RV](#) [1977120-6](#) [FSMRA4JHA04](#) [GS4.70F300QP](#) [KSC241J SP DELTA LFS](#) [3FTL600RAS](#) [3FTL640RAS](#) [Y96K132V0FPLFS](#)
[09158](#) [6407-250V-25343P](#) [ADTSM31NVTR](#) [2-1977120-7](#) [TSJW-5.2-260-TR](#) [TME1-01-Z](#) [Y651050400P](#) [KMT011MNGJLHS](#)
[ADTSG648NV](#) [ADTSM62KSVTR](#) [MJTP1138DTR](#) [ADTSM648NV](#) [95C06E3RAT](#) [3ATH9Q](#) [FSMRA8JHA04](#) [HARS0073](#)
[Y33R411N9FPLFT](#) [Y33R51139FPLFT](#) [Y31C01402FPLFS](#) [PTS645SK50SMTR92](#) [ADTSM32NVB](#) [KMS233GPWTFLFG](#) [Y78B64124FP](#)
[Y33A812C5FP LFT](#) [Y56B2D120FP LFS](#) [PTS645 DVM83-BN125-2 LFS](#) [B3W 1000G](#) [B3F 1002C](#) [B3F 0047H](#) [B3W 1002C](#) [B3F 5001G](#)
[B3W 1100C](#) [1-1571563-4](#)