



Series 228G

5.0 x 6.0mm Illuminated Tactile Switch

- Surface mount gull-wing terminal or standard through hole configurations
- Compatible with IR reflow, manual soldering
- Single color display during illumination
- Variety of LED color options
- Halogen Free



Ordering Information

Series	Terminal Type	Actuating Direction	Actuation Force	LED Color	LED Type	Packaging
228G	M	V	A	R	F	R

Code	Spec.
M	Surface mount gull wing

Code	Spec.
V	Vertical

Code	Spec.
A	160 gf

Code	Spec.
F	Flat

Code	Spec.
B	Blue
L	Olive Green
R	Red
W	White
Y	Yellow

Code	Spec.
R	Tape & reel packaging

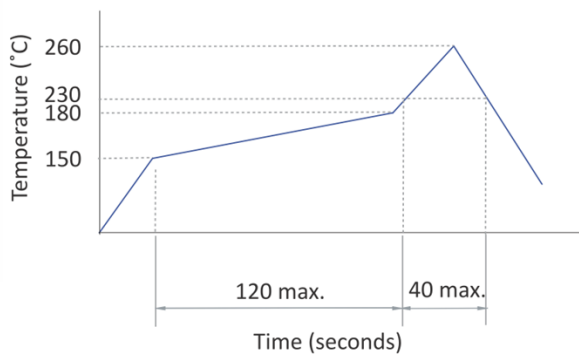
Electrical Specifications

Parameter	Conditions & Remarks	Min	Max	Unit
Contact Resistance			100	milliohms
Insulation Resistance	Between insulated terminals	100		megohms
Dielectric Strength	250 VAC between adjacent switches		1	minute
Nonswitching Rating			50 or 12	mA or VDC

Mechanical and Environmental

Soldering	Maximum reflow temperature, 260°C for 3 seconds
RoHS	Lead-Free. Fully compliant to RoHS Directive 2011/65/EU
Halogen Free	Halogen Free
Operating Force	160±50 gf
Actuation Life	100,000 cycles
Actuator Strength	3 Kgf maximum
Travel	0.5±0.15mm
Packaging	Tape&reel packaging
Operating Temperature Range	-20°C to +70°C
Storage Temperature Range	-30°C to +80°C
MSL Level	3

Soldering Profile

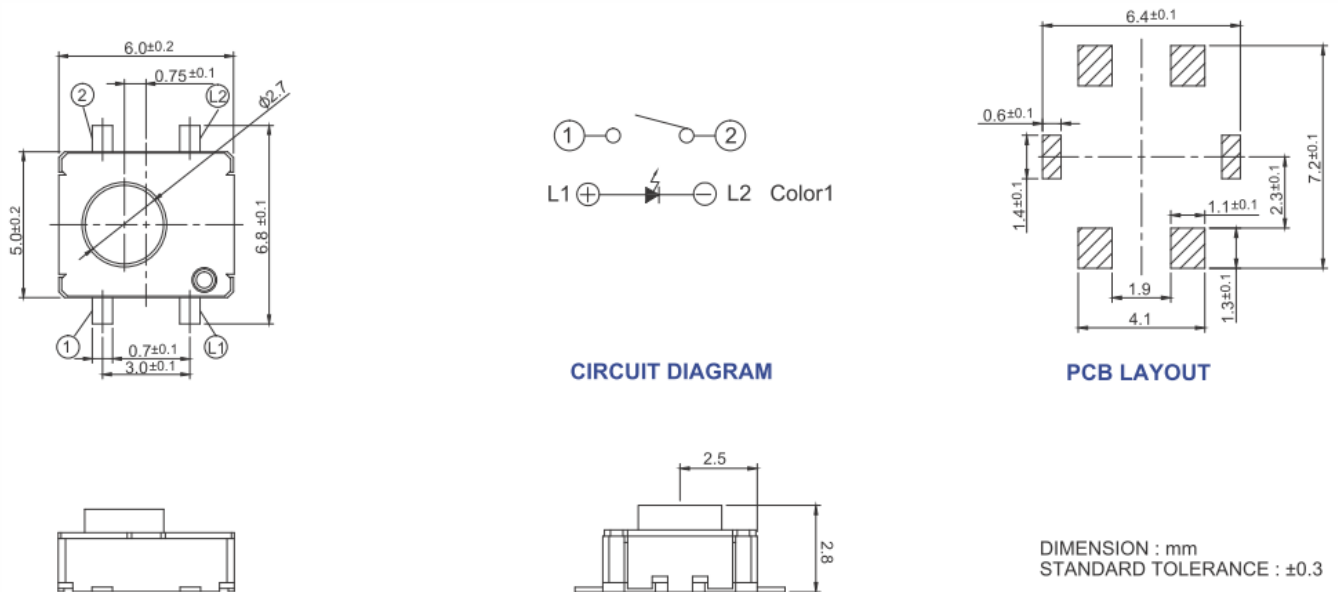


LED Specifications

Color	Reversed Voltage (Max)	Reversed Current (Max)	Recommended Operating Current	Forward Voltage at 20mA		Chromaticity Coordinates	
				Nor	Max		
Red	5 Vdc	100 μ A	30 mA	1.9V	2.4V	X	Y
Olive Green	5 Vdc	100 μ A	30 mA	1.9V	2.4V		
Yellow	5 Vdc	100 μ A	30 mA	1.9V	2.4V		
Blue	5 Vdc	50 μ A	30 mA	3.2V	4.0V		
				Forward Voltage at 20mA			
White	5 Vdc	50 μ A	30 mA	3.0V	4.0V	0.297	0.295

Mechanical Specifications

Figure 1 – 228GMV, Surface Mount Gull Wing, Vertical Actuation

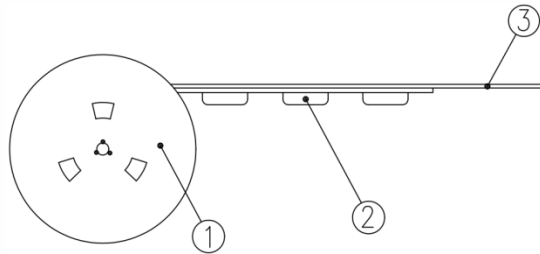


Packing: Tape and Reel

Surface Mount Gull Wing, Actuator Height 2.8mm

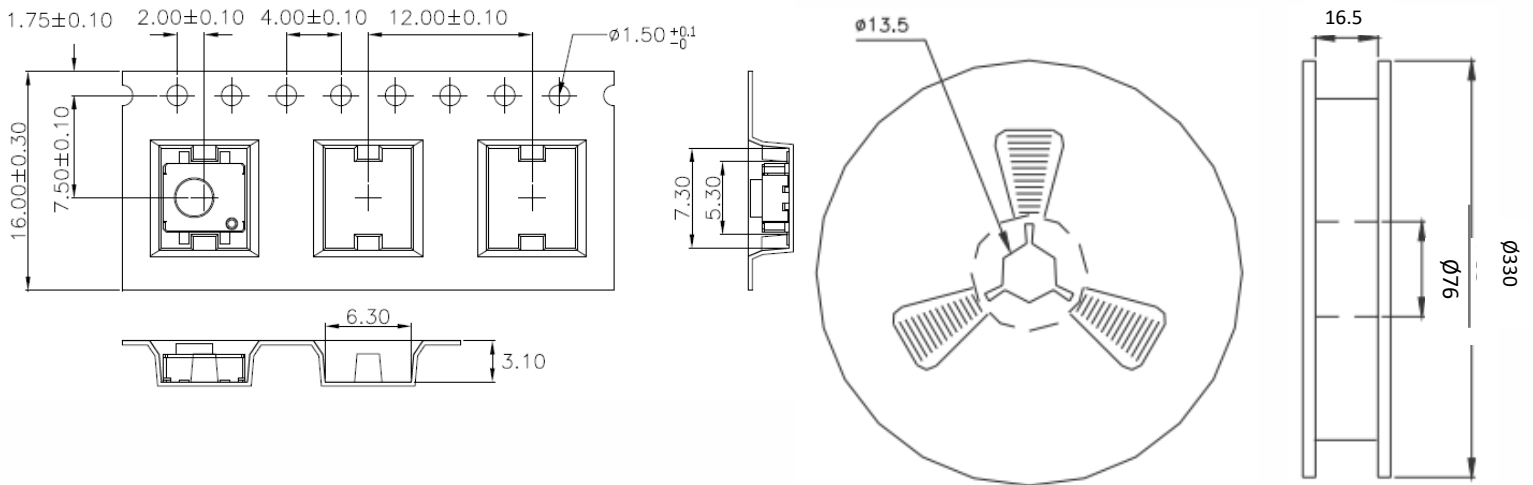
The packing specifications:

1. Structure and materials:



No	PART NAME	MATERIAL
①	REEL	POLYSTYRENE
②	CARRIER TAPE	POLYSTYRENE
③	COVER TAPE	POLYESTER

- Packing quantity: 1650 pcs/reel
- More than 160mm empty pockets should remain at each end of the carrier tape for each reel. After reel packaging, the end of tape 180mm, shall be empty and the tape edge shall be cut in 45°. The cover tape shall be extended 180±10 mm from the tape edge and fixed with tape.
- Shortage of less than 2 pcs a reel is acceptable.
- Stripping strength of cover tape is between 10 gf to 130 gf and stripping angle should be within 165°~180°.
- The product in the pocket of carrier tape should be placed in a specified correct position.
- Tape and reel per EIA-481.
- Dimensions:



X-ON Electronics

Largest Supplier of Electrical and Electronic Components

Click to view similar products for [Tactile Switches](#) category:

Click to view products by [CTS](#) manufacturer:

Other Similar products are found below :

[6407-250V-25273P](#) [ADTSA62NV](#) [B3F-3123](#) [1977177-8](#) [1977266-1](#) [ADTSA63NV](#) [ADTSM21NSVTR](#) [ADTSM25RVTR](#) [ADTSM32NVTR](#)
[ADTSMW64RV](#) [1977120-6](#) [FSMRA4JHA04](#) [GS4.70F300QP](#) [KSC241J SP DELTA LFS](#) [3FTL600RAS](#) [3FTL640RAS](#) [Y96K132V0FPLFS](#)
[09158](#) [6407-250V-25343P](#) [ADTSM31NVTR](#) [2-1977120-7](#) [TSJW-5.2-260-TR](#) [TME1-01-Z](#) [Y651050400P](#) [KMT011MNGJLHS](#)
[ADTSG648NV](#) [ADTSM62KSVTR](#) [MJTP1138DTR](#) [ADTSM648NV](#) [95C06E3RAT](#) [3ATH9Q](#) [FSMRA8JHA04](#) [HARS0073](#)
[Y33R411N9FPLFT](#) [Y33R51139FPLFT](#) [Y31C01402FPLFS](#) [PTS645SK50SMTR92](#) [ADTSM32NVB](#) [KMS233GPWTFLG](#) [Y78B64124FP](#)
[Y33A812C5FP LFT](#) [Y56B2D120FP LFS](#) [PTS645 DVM83-BN125-2 LFS](#) [B3W 1000G](#) [B3F 1002C](#) [B3F 0047H](#) [B3W 1002C](#) [B3F 5001G](#)
[B3W 1100C](#) [1-1571563-4](#)