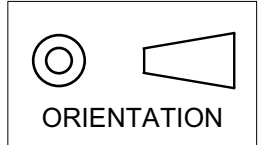


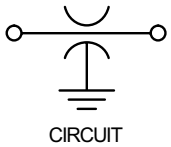
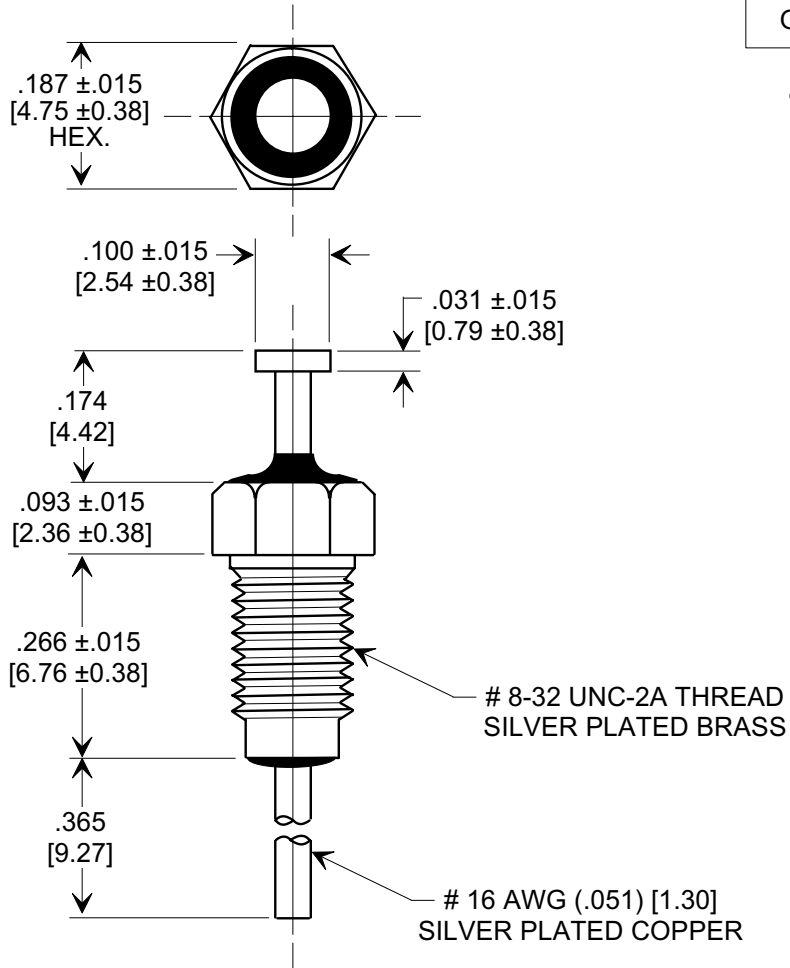
MARKETING SALES DRAWING

This drawing is the property of Tusonix, Inc., and may not be used, reproduced, published or disclosed to others without expressed authorization by Tusonix Inc.

DIMENSIONS IN INCHES - DO NOT SCALE THIS DRAWING
DIMENSIONS IN METRIC - []



Electrical Testing
per Tusonix standard
test plans and Mil-Std-202
Test Methods.



SPECIFICATIONS

TUSONIX STYLE:	2425-003
CAP. VALUE:	1,000 pF
CAP. TOLERANCE:	GMV
TEMP. CHARACTERISTIC:	X7U
RATING:	200 VDC @ + 85°C/100 VDC @ +125°C
OPERATING RANGE:	-55°C TO + 125°C
CURRENT (A):	20
DWV VDC:	600
Insulation Resistance min @ 100 VDC:	10 GΩ

NOTES:

- SUPPLIED WITH SILVER PLATED HEX NUT.
- MOUNTING TORQUE NOT TO EXCEED 5 lb-in. [.565 Nm].
- TUSONIX STANDARD PART NUMBER: 2425-003-X7U0-102AA TUSONIX RoHS COMPLIANT PART NUMBER: 2425-003-X7U0-102AA LF. CUSTOMER MUST SPECIFY STANDARD OR RoHS PART NUMBER WHEN ORDERING.
- PART MARKING: STANDARD PART: BLACK INK FOR TRADEMARK AND CAP. CODE. RoHS PART: GREEN INK FOR TRADEMARK AND CAP. CODE.

* GMV - GUARANTEED MINIMUM VALUE.

REVISION RECORD	0	REVISED RATING: ADDED DWV: ADDED & REVISED NOTES: S.M. 03-09-06	1
	Original Release		
			20060217-2-15

--TOLERANCES-- Unless Otherwise Specified	Title MINIATURE BUSHING FEED-THRU	
DECIMAL ± .031 [079]	Drawn S.M. 05-21-03	Scale 4 X
ANGLES ±	Approved T.C. 05-21-03	
TUSONIX TUCSON, ARIZONA	A 2425-003-X7U0-102AA	

X-ON Electronics

Largest Supplier of Electrical and Electronic Components

Click to view similar products for [EMI Feedthrough Filters](#) category:

Click to view products by [CTS](#) manufacturer:

Other Similar products are found below :

[FN7611-63-M6](#) [FN7612-10-M3](#) [FN7660-100-M8](#) [1202F-054](#) [1609991-8](#) [1609992-2](#) [16DFC6-C](#) [16FFD6-HE](#) [2-1609992-2](#) [2443-007-X5S0-102MLF](#) [2443-007-X5W0-502ZLF](#) [2463-001-X5S0-471MLF](#) [1609990-8](#) [1609991-3](#) [1609992-1](#) [1609992-3](#) [1609993-1](#) [1609993-7](#)
[200AFC6-P](#) [200DFC6-P](#) [FN7510-100-M8](#) [FN7510-32-M4](#) [FN7562-100-M8](#) [FN7562-200-M10](#) [FN7563-100-M8](#) [FN7611-10-M3](#) [FN7612-63-M6](#) [FN7661-16-M4](#) [2450-001-X5U0-102PLF](#) [2499-003-X5S0-152MLF](#) [32AFC6-H](#) [4100-000LF](#) [4201-050LF](#) [4204-001LF](#) [4253-002LF](#)
[4306-019LF](#) [4101-004LF](#) [4201-003LF](#) [4208-000LF](#) [4600-067](#) [094-6526-0000](#) [100AFC6-G](#) [10AFC6-B](#) [10DFC6-C](#) [1-1609990-3](#) [1-1609990-7](#) [1-1609992-8](#) [1-1609990-1](#) [1-1609991-1](#) [FN7514-32-M4](#)