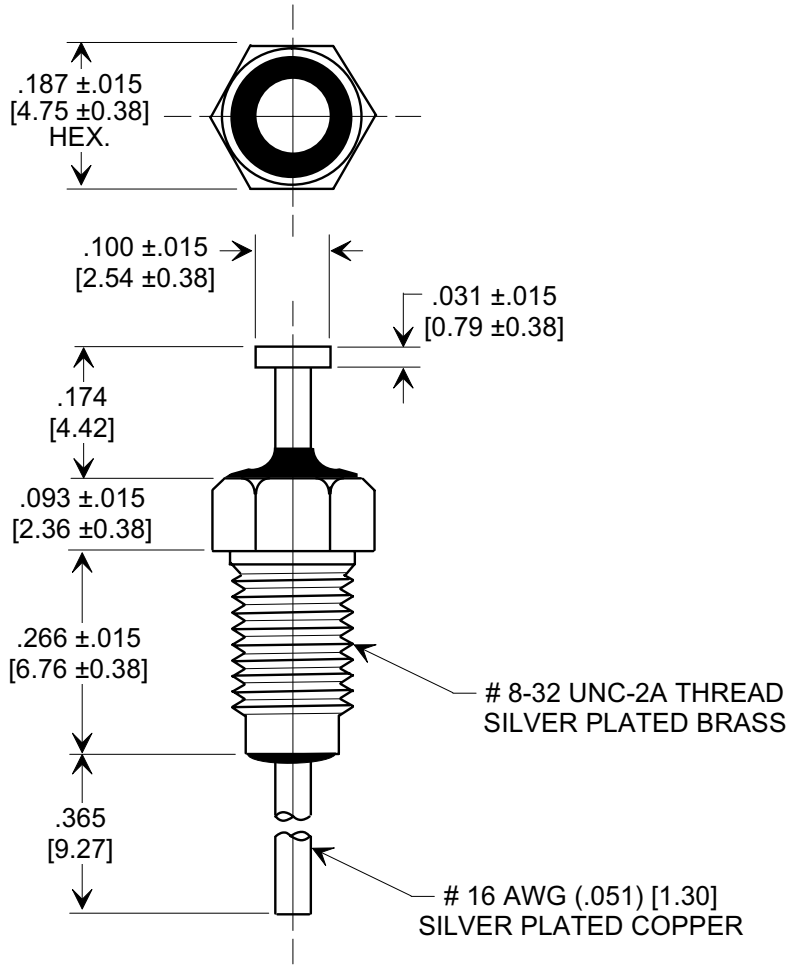
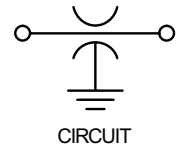
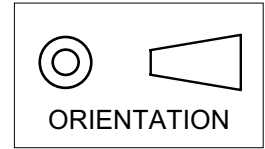


MARKETING SALES DRAWING

Electrical Testing
per Tusonix standard
test plans and Mil-Std-202
Test Methods.

DIMENSIONS IN INCHES - DO NOT SCALE THIS DRAWING
DIMENSIONS IN METRIC - []



NOTES:

- SUPPLIED WITH SILVER PLATED HEX NUT AND INTERNAL TOOTH LOCK WASHER.
- MOUNTING TORQUE NOT TO EXCEED 5 lb - in. MAX. [.565 N-m]
- TUSONIX STANDARD PART NUMBER: 2425-018-X5U0-102M. TUSONIX RoHS COMPLIANT PART NUMBER: 2425-018-X5U0-102M LF. CUSTOMER MUST SPECIFY STANDARD OR RoHS PART NUMBER WHEN ORDERING.
- PART MARKING: STANDARD: BLACK INK FOR TRADEMARK AND CAP. CODE. RoHS PART: GREEN FOR TRADEMARK AND CAP. CODE.

SPECIFICATIONS

| | |
|------------------------|-------------------------------------|
| Tusonix Style: | 2425-018 |
| Capacitance Value: | 1000 pF |
| Capacitance Tolerance: | ±20 % |
| Temp. Characteristic: | X5U |
| Rating: | 200 VDC @ + 85°C / 100 VDC @ +125°C |
| Current (A): | 20 |
| Operating Range: | -55°C TO +125°C |
| Insulation Resistance: | 10,000 megohms (min.) @ +25°C |
| DWV @ 2 Sec. Min: | 600 VDC |

| | | | | |
|------------------------|--|---|--|----------------------------------|
| REVISION RECORD | 0 Original Release C.O. 20010816-1-01 NOTE 2 REVISED, ADDED NUT & WASHER. S.M. 09-13-01 | 1 20010913-4-02 TUSONIX STYLE, CURRENT (A), INSULATION RESISTANCE, DWV COLUMNS & NOTE 2 REVISED L.E. 05-25-04 | 2 20040514-3-07 ADDED NOTES 3 & 4. S.M. 11-01-05 | 3 20051031-1-10 |
|------------------------|--|---|--|----------------------------------|

| |
|--|
| --TOLERANCES-- Unless Otherwise Specified |
| DECIMAL ± .031 [0.79] |
| ANGLES ± |
| TUSONIX TUCSON, ARIZONA |

| | |
|--|---------------------------|
| Title MINIATURE BUSHING FEED-THRU | |
| Drawn S.M. 08-16-01 | Approved T.C. 08-16-01 |
| A | 2425-018-X5U0-102M |

X-ON Electronics

Largest Supplier of Electrical and Electronic Components

Click to view similar products for [EMI Feedthrough Filters](#) category:

Click to view products by [CTS](#) manufacturer:

Other Similar products are found below :

[FN7511-32-M4](#) [FN7660-100-M8](#) [FN7660-200-M10](#) [2443-007-X5S0-102MLF](#) [2463-001-X5S0-471MLF](#) [SCI-9925-303](#) [1609992-3](#) [1609993-1](#) [FN7510-100-M8](#) [FN7511-200-M10](#) [FN7562-100-M8](#) [FN7562-200-M10](#) [FN7563-100-M8](#) [FN7611-10-M3](#) [2450-000-X5U0-102PLF](#) [2499-003-X5S0-152MLF](#) [4202-025](#) [4251-001LF](#) [4253-002LF](#) [4300-523LF](#) [4305-001LF](#) [4306-019LF](#) [4403-010LF](#) [4600-072LF](#) [4403-060](#) [4600-067](#) [100AFC6-G](#) [10AFC6-B](#) [1-1609990-7](#) [1-1609990-1](#) [FN7510-16-M4](#) [FN7514-32-M4](#) [2461-010-X7V0-102AA](#) [FN7611-32-M4](#) [FN7660-10-M3](#) [SXD1A3-251](#) [2499-003-X5S0-102M](#) [4206-502](#) [M15733/62-0002](#) [4305-006LF](#) [4306-011LF](#) [4300-314-2](#) [4251-002LF](#) [4305-005LF](#) [2461-002-X7V0-102MLF](#) [4403-005](#) [CK70AW152M](#) [4311-001LF](#) [4101-500](#) [32DFC6-N](#)