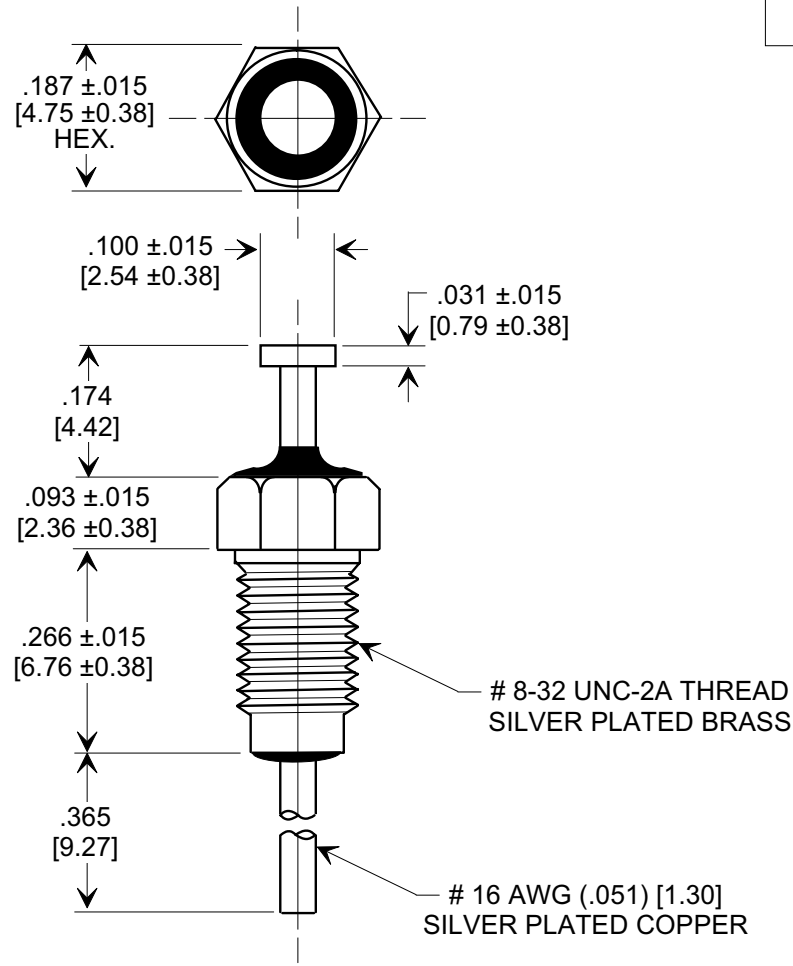
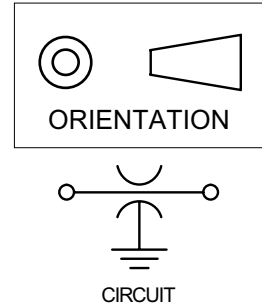


Electrical Testing
per Tusonix standard
test plans and Mil-Std-202
Test Methods.

MARKETING SALES DRAWING

DIMENSIONS IN INCHES - DO NOT SCALE THIS DRAWING
DIMENSIONS IN METRIC - []



NOTES:

1. SUPPLIED WITH SILVER PLATED HEX NUT AND LOCK WASHER.
2. MOUNTING TORQUE NOT TO EXCEED 5 lb-in.
3. TUSONIX STANDARD PART NUMBER: 2425-018-X5U0-102P. TUSONIX RoHS COMPLIANT PART NUMBER: 2425-018-X5U0-102P LF. CUSTOMER MUST SPECIFY STANDARD OR RoHS PART NUMBER WHEN ORDERING.
4. PART MARKING: STANDARD: BLACK INK FOR TRADEMARK AND CAP. CODE. RoHS PART: GREEN FOR TRADEMARK AND CAP. CODE.

SPECIFICATIONS

Capacitance Value:	1000 pF
Capacitance Tolerance:	+ 100 - 0 %
Temp. Characteristic:	X5U
Rating:	200 VDC @ +85°C/100 VDC @ +125°C
Operating Range:	-55°C TO +125°C
Current (A)	20
INSULATION RESISTANCE	10,000 m Ω (MIN.) @ +25°C
DWV @ 2 SEC. MIN.	600 VDC

REVISION RECORD	Original Release C.O. 20000711-3-01	TUSONIX PART NO. DELETED L.E. 12-12-01	ADDED NOTES 3 & 4, IR, DWV & CURRENT. S.M. 11-01-05
	0		
	1		
	2		

--TOLERANCES-- Unless Otherwise Specified
DECIMAL ± .031 [0.79]
ANGLES ±
TUSONIX TUCSON, ARIZONA

Title MINIATURE BUSHING FEED-THRU	
Drawn L.E. 07-12-00	Approved H.R. 07-12-00
A	2425-018-X5U0-102P

X-ON Electronics

Largest Supplier of Electrical and Electronic Components

Click to view similar products for [EMI Feedthrough Filters](#) category:

Click to view products by [CTS](#) manufacturer:

Other Similar products are found below :

[FN7511-32-M4](#) [FN7660-100-M8](#) [FN7660-200-M10](#) [2443-007-X5S0-102MLF](#) [2463-001-X5S0-471MLF](#) [SCI-9925-303](#) [1609992-3](#) [1609993-1](#) [FN7510-100-M8](#) [FN7511-200-M10](#) [FN7562-100-M8](#) [FN7562-200-M10](#) [FN7563-100-M8](#) [FN7611-10-M3](#) [2450-000-X5U0-102PLF](#) [2499-003-X5S0-152MLF](#) [4202-025](#) [4251-001LF](#) [4253-002LF](#) [4300-523LF](#) [4305-001LF](#) [4306-019LF](#) [4403-010LF](#) [4600-072LF](#) [4403-060](#) [4600-067](#) [100AFC6-G](#) [10AFC6-B](#) [1-1609990-7](#) [1-1609990-1](#) [FN7510-16-M4](#) [FN7514-32-M4](#) [2461-010-X7V0-102AA](#) [FN7611-32-M4](#) [FN7660-10-M3](#) [SXD1A3-251](#) [2499-003-X5S0-102M](#) [4206-502](#) [M15733/62-0002](#) [4305-006LF](#) [4306-011LF](#) [4300-314-2](#) [4251-002LF](#) [4305-005LF](#) [2461-002-X7V0-102MLF](#) [4403-005](#) [CK70AW152M](#) [4311-001LF](#) [4101-500](#) [32DFC6-N](#)