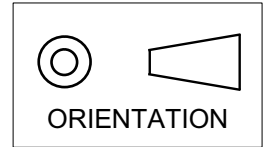


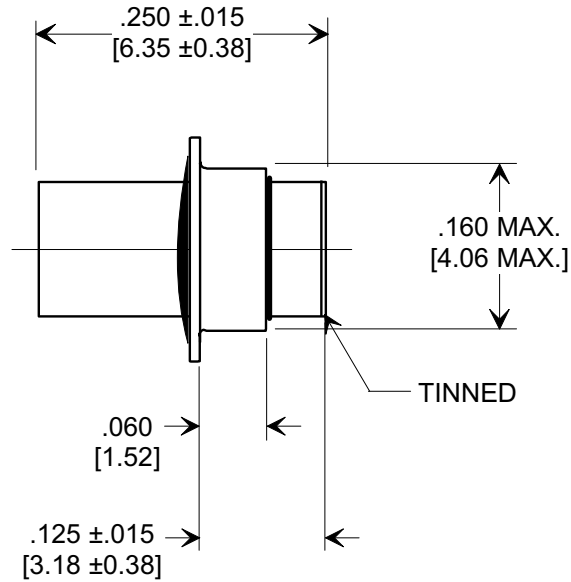
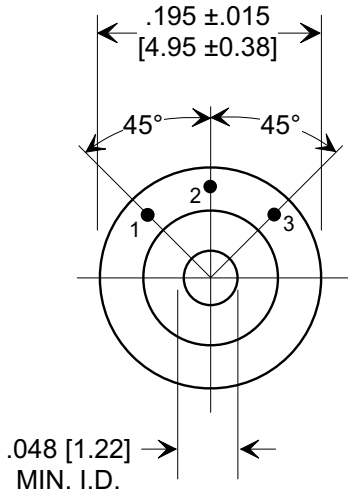
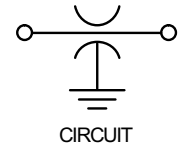
**MARKETING SALES DRAWING**

**DIMENSIONS IN INCHES - DO NOT SCALE THIS DRAWING**  
**DIMENSIONS IN METRIC - [ ]**

This drawing is the property of Tusonix, Inc., and may not be used, reproduced, published or disclosed to others without expressed authorization by Tusonix Inc.



**Electrical Testing**  
**per Tusonix standard**  
**test plans and Mil-Std-202**  
**Test Methods.**



**NOTES:**

1. TUSONIX STANDARD PART NUMBER: 2482-012-X5U0-101M.  
 TUSONIX RoHS COMPLIANT PART NUMBER: 2482-012-X5U0-101M LF.  
 CUSTOMER MUST SPECIFY STANDARD OR RoHS PART NUMBER WHEN ORDERING.
2. EYELET FINISH: STANDARD PART #: 60/40 SOLDER PLATED. RoHS PART #: SILVER PLATED.
3. PART MARKING: STANDARD PART 3 DOT COLOR CODE. RoHS PART 3 DOT COLOR CODE AND GREEN DOT.

**SPECIFICATIONS**

TUSONIX STYLE:	2482-012
CAP. VALUE:	100 pF
CAP. TOL.:	± 20 %
TEMP. CHAR.:	X5U
OPERATING TEMP.:	-55° TO +85°C
OPERATING VOLT.:	300 WVDC
DIEL. WITHSTANDING VOLTAGE:	900 VDC FOR 2 SEC.

X-2015 Rev-0  
**REVISION RECORD**  
 Original Release  
 C.O. 20060818-3-02

--TOLERANCES-- Unless Otherwise Specified		Title <b>FEED-THRU CAPACITOR</b>	
DECIMAL ± .015 [0.38]		Drawn S.M. 08-21-06 Scale 6 X	
ANGLES ±		Approved T.C. 08-21-06	
<b>TUSONIX</b> TUCSON, ARIZONA		<b>A</b> 2482-012-X5U0-101M	

## X-ON Electronics

Largest Supplier of Electrical and Electronic Components

*Click to view similar products for [EMI Feedthrough Filters](#) category:*

*Click to view products by [CTS](#) manufacturer:*

Other Similar products are found below :

[FN7611-63-M6](#) [FN7612-10-M3](#) [FN7660-100-M8](#) [1202F-054](#) [1609991-8](#) [1609992-2](#) [16DFC6-C](#) [16FFD6-HE](#) [2-1609992-2](#) [2443-007-X5S0-102MLF](#) [2443-007-X5W0-502ZLF](#) [2463-001-X5S0-471MLF](#) [1609990-8](#) [1609991-3](#) [1609992-1](#) [1609992-3](#) [1609993-1](#) [1609993-7](#)  
[200AFC6-P](#) [200DFC6-P](#) [FN7510-100-M8](#) [FN7510-32-M4](#) [FN7562-100-M8](#) [FN7562-200-M10](#) [FN7563-100-M8](#) [FN7611-10-M3](#) [FN7612-63-M6](#) [FN7661-16-M4](#) [2450-001-X5U0-102PLF](#) [2499-003-X5S0-152MLF](#) [32AFC6-H](#) [4100-000LF](#) [4201-050LF](#) [4204-001LF](#) [4253-002LF](#)  
[4306-019LF](#) [4101-004LF](#) [4201-003LF](#) [4208-000LF](#) [4600-067](#) [094-6526-0000](#) [100AFC6-G](#) [10AFC6-B](#) [10DFC6-C](#) [1-1609990-3](#) [1-1609990-7](#) [1-1609992-8](#) [1-1609990-1](#) [1-1609991-1](#) [FN7514-32-M4](#)