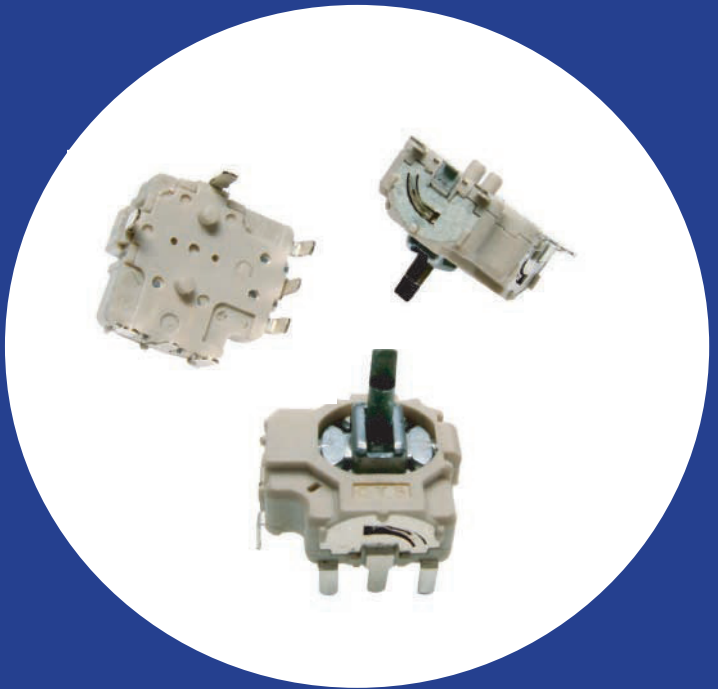


### Two Axis, Ultra-miniature Joystick With Optional Momentary Switch

#### Features

- Smallest mini-joystick available (11x11x5 mm)
- Long Life 1 Million Cycles
- Provides excellent electrical accuracy through patented mechanism
- Optional momentary switch is operational at all positions
- RoHS compliant



Pat. Nos.: US 7,199,314 , Taiwan 279822, Pat. Pending in China

### Electrical and Mechanical Specifications

#### Potentiometer 1 & 2

**Resistance Range**

10 K ohms through 100 K ohms

**Resistance Tolerance**

± 30%, ± 20%, ± 10%

**Dielectric Strength**

250 VAC 50 / 60 Hz for 1 minute

**Insulation Resistance**

100 megohms @ 250 VDC for 1 minute

**Operational Torque**

120 ± 50 gf.cm

**Power Rating**

0.0125 watt @ 50°C

**Maximum Operating Voltage**

50 VAC or 5 VDC maximum

**Rotational Angle**

55°

**Life**

1,000,000 cycles

#### Optional Switch

**Switch Type**

Momentary

**Contact Resistance**

100 milliohms maximum initially

200 milliohms maximum after 200,000 cycles switching 5 mA @ 5 VDC

**Insulation Resistance**

100 megohms minimum @ 100 VDC for 1 minute

**Operational Force**

650 ± 150 gf

**Power Rating**

5 VDC, 5 mA maximum

**Travel**

0.6 ± 0.2mm

**Switch Life**

200,000 cycles

# Electrical and Mechanical Specifications

## Potentiometer 1 & 2

Operating Temperature  
-10°C to +80°C

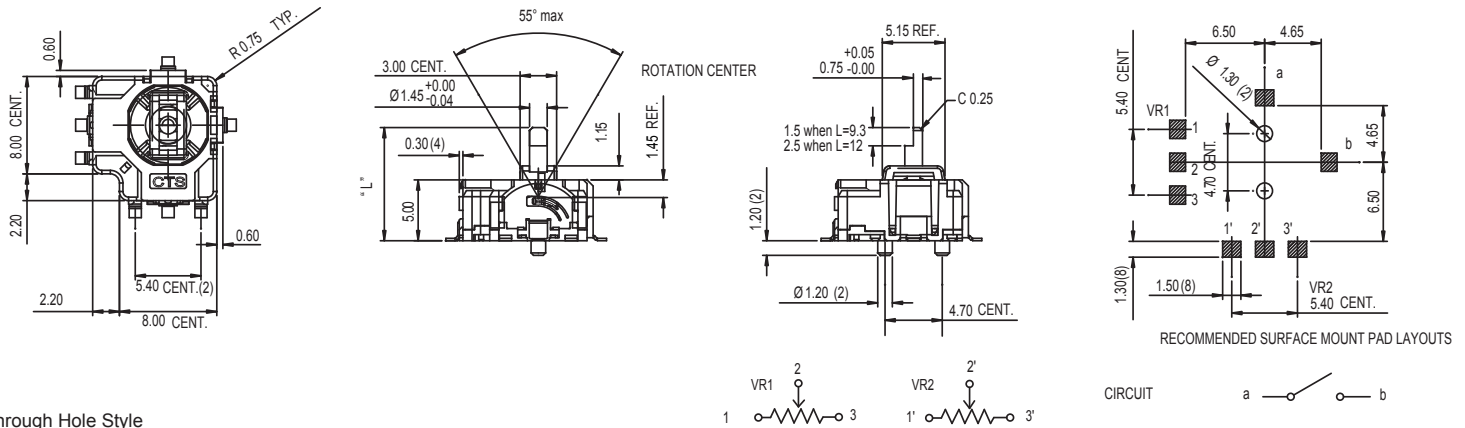
Soldering Heat Resistance  
260°C for 5 seconds

### Mounting Information

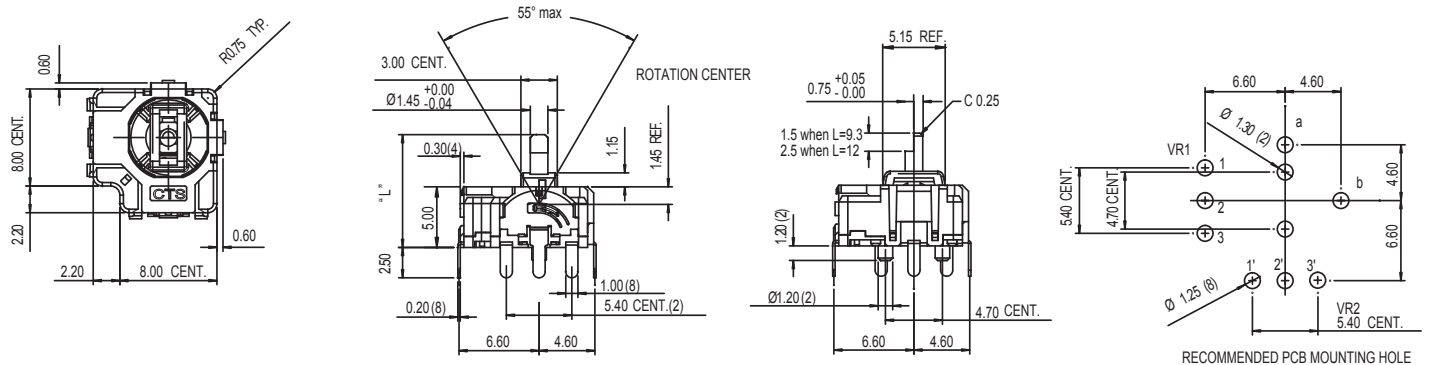
Through hole or Surface Mount terminal

## CTS Series 254 DIMENSION: mm

Surface Mount Style



Through Hole Style



## Ordering Information

**254**

**T**

**B**

**103**

**C**

**50**

**A**

254	T	B	103	C	50	A
<b>TERMINAL STYLE</b>	<b>DRIVE ARM LENGTH DIM "L"</b>	<b>RESISTANCE CODE EXAMPLES</b>	<b>RESISTANCE TOLERANCE</b>	<b>EFFECTIVE ANGLE</b>	<b>SWITCH CONFIGURATION</b>	
S – SURFACE MOUNT T – THROUGH HOLE	<b>LENGTH FROM MOUNTING SURFACE</b> A – 9.3 mm B – 12.0 mm	<b>CODE RESISTANCE</b> 103 10K 104 100K	A – ±10% B – ±20% C – ±30%	50 – 50° 55 – 55°	A – W/O SWITCH B – MOMENTARY SWITCH	

STANDARD PART (QUICK DELIVERY) - 254TA103C50A, 254TA103C50B, 254SA103C50A, 254SA103C50B

## X-ON Electronics

Largest Supplier of Electrical and Electronic Components

*Click to view similar products for [Input Devices](#) category:*

*Click to view products by [CTS](#) manufacturer:*

Other Similar products are found below :

[80260-08](#) [M11L0A1](#) [M11L0B1M](#) [M21L0H1PX](#) [M41C091P100](#) [80260-00](#) [81521-08](#) [FKB4720-103](#) [84250-26](#) [84980-04](#) [84S-AC1-000](#)  
[C1000C1P](#) [JD-0700EU-2](#) [JM-0800-2](#) [JOY-THUMB](#) [JW-T0100](#) [89498-13](#) [89758-05](#) [89886-26](#) [89941-00](#) [FQ-XT](#) [G3-A1AM151NNNN](#)  
[G80-3000LSCEU-2](#) [M11C011B](#) [TH500P00D4](#) [MJ0FGGRY](#) [JM-0800-0](#) [KBCV-4100W](#) [60C22-M7-4-020S](#) [67A-DF-3C-060C](#) [84S-BB1-004](#)  
[81601-26](#) [G8011900LPMUS0](#) [G844420LUBEU0](#) [G84-4700LUCUS-0](#) [89701-26](#) [81485-26](#) [84105-13](#) [V400-W24 5M](#) [V400-W23 5M](#)  
[FTRB4GA45ZB05](#) [G84-5200LCMEU-2](#) [M11F061P](#) [84Z2029-100](#) [4P182F1D0100](#) [M41L091M](#) [M41L091P](#) [60A00-8-050C](#) [84Z2029-78](#)  
[XD2CF1111](#)