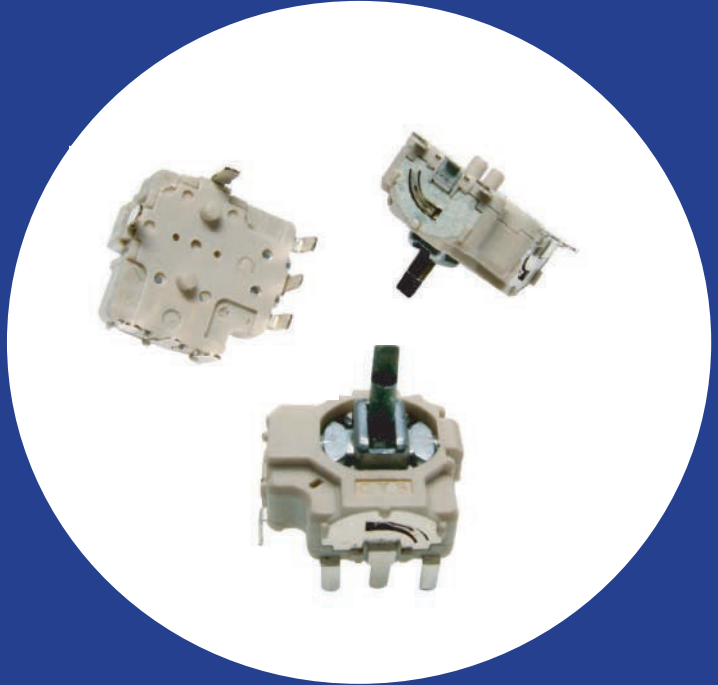


## Two Axis, Ultra-miniature Joystick With Optional Momentary Switch

### Features

- Smallest mini-joystick available (11x11x5 mm)
- Long Life 1 Million Cycles
- Provides excellent electrical accuracy through patented mechanism
- Optional momentary switch is operational at all positions
- RoHS compliant



Pat. Nos.: US 7,199,314 , Taiwan 279822, Pat. Pending in China

## Electrical and Mechanical Specifications

### Potentiometer 1 & 2

**Resistance Range**

10 K ohms through 100 K ohms

**Resistance Tolerance**

± 30%, ± 20%, ± 10%

**Dielectric Strength**

250 VAC 50 / 60 Hz for 1 minute

**Insulation Resistance**

100 megohms @ 250 VDC for 1 minute

**Operational Torque**

120 ± 50 gf.cm

**Power Rating**

0.0125 watt @ 50°C

**Maximum Operating Voltage**

50 VAC or 5 VDC maximum

**Rotational Angle**

55°

**Life**

1,000,000 cycles

### Optional Switch

**Switch Type**

Momentary

**Contact Resistance**

100 milliohms maximum initially

200 milliohms maximum after 200,000 cycles  
switching 5 mA @ 5 VDC

**Insulation Resistance**

100 megohms minimum @ 100 VDC for 1 minute

**Operational Force**

650 ± 150 gf

**Power Rating**

5 VDC, 5 mA maximum

**Travel**

0.6 ± 0.2mm

**Switch Life**

200,000 cycles

# Electrical and Mechanical Specifications

## Potentiometer 1 & 2

Operating Temperature  
-10°C to +80°C

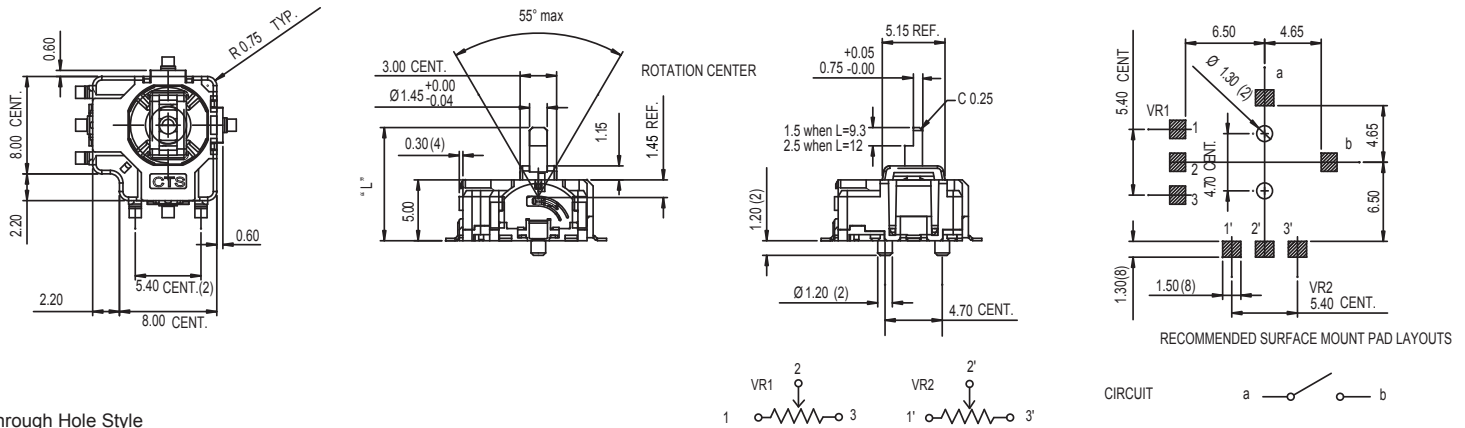
Soldering Heat Resistance  
260°C for 5 seconds

### Mounting Information

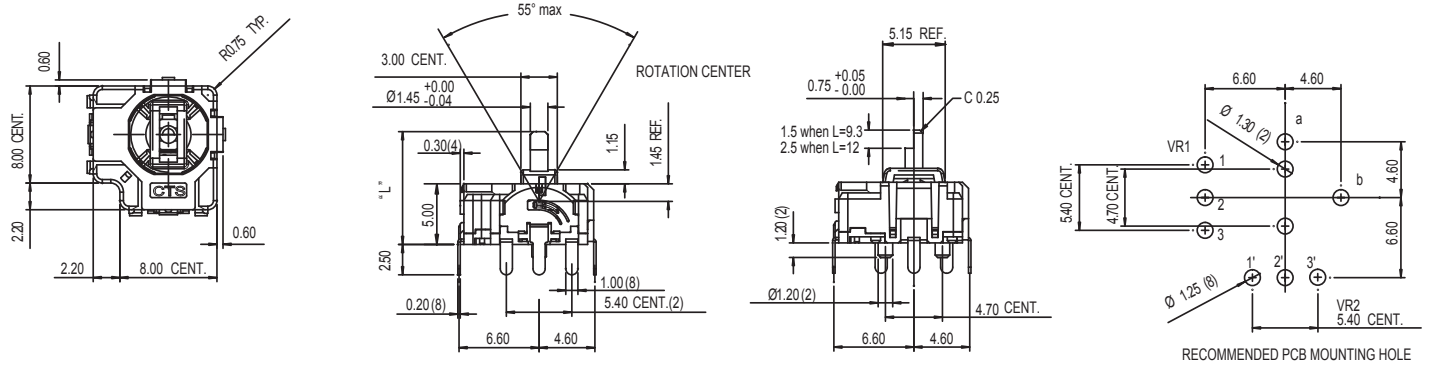
Through hole or Surface Mount terminal

## CTS Series 254 DIMENSION: mm

Surface Mount Style



Through Hole Style



## Ordering Information

**254**

**T**

**B**

**103**

**C**

**50**

**A**

254	T	B	103	C	50	A
<b>TERMINAL STYLE</b>	<b>DRIVE ARM LENGTH DIM "L"</b>	<b>RESISTANCE CODE EXAMPLES</b>	<b>RESISTANCE TOLERANCE</b>	<b>EFFECTIVE ANGLE</b>	<b>SWITCH CONFIGURATION</b>	
S – SURFACE MOUNT T – THROUGH HOLE	<b>LENGTH FROM MOUNTING SURFACE</b> A – 9.3 mm B – 12.0 mm	<b>CODE RESISTANCE</b> 103 10K 104 100K	A – ±10% B – ±20% C – ±30%	50 – 50° 55 – 55°	A – W/O SWITCH B – MOMENTARY SWITCH	

STANDARD PART (QUICK DELIVERY) - 254TA103C50A, 254TA103C50B, 254SA103C50A, 254SA103C50B

## X-ON Electronics

Largest Supplier of Electrical and Electronic Components

*Click to view similar products for [Joysticks](#) category:*

*Click to view products by [CTS](#) manufacturer:*

Other Similar products are found below :

[M11L0A1](#) [C10O0C1P](#) [JOY-THUMB](#) [S10L0A1M](#) [G3-A1AM151NNNN](#) [TH500P00D4](#) [C10O0C1PMJ0](#) [S10L061J](#) [60C22-M7-4-020S](#) [67A-DF-3C-060C](#) [60A00-8-050C](#) [60A00-4-050C](#) [60C22-M7-4-040S](#) [G3-0425](#) [S30L081F50](#) [3440SAT6476](#) [60A18-4-090C](#) [S30L081J](#)  
[M11L001C](#) [M11L0X1P](#) [USBM31Q081RMJ4S](#) [USBC20O051JMJS](#) [TW08BLK12](#) [HRS202B1](#) [S30L0M1CSJBLK](#) [HF11R11](#) [HG-44MIS000-2654](#) [HG-44MIS000-U-2655](#) [4P182F1E55475](#) [BD140D01GR0000](#) [BD150SD4BL1200](#) [3140SAL6475](#) [TW01BLK11](#) [TW01GRY1](#)  
[ZD4PA203](#) [HF44S10UMJ0](#) [TS3N2S00A](#) [TS1R1U00A](#) [TS1R1S09A](#) [TS1D2S00A](#) [TS1D1U02A](#) [HFX45S02](#) [HFX10S00](#) [HF11P11](#) [4R28-2S1E-55-00](#) [BD150A01RE0000](#) [ZD4PA24](#) [ZD4PA22](#) [ZD4PA12](#) [ZD4PA14](#)