



# Series 287

## 24mm Rotary Potentiometer

- Ceramic Printed Element
- High Rated Power: 2 watts
- Rotational Torque: 600 ± 200 gf-cm
- Rotational Life: 100,000 cycles
- Ingression Protection Rating: IP50
- Rugged Metal Shaft and Bushing
- Solder Lug, PC Mount and Flexible Lead Options



### Ordering Information

Series	Terminal Style	Mounting Style "A"	Shaft Length "L"	Shaft Trim	Resistance Code	Resistance Tolerance	Taper	A/R Lug Options
287	T	2	20	R	103	B	1	1

Code	Spec.
X	PC mount
T	Solder Lugs
C	Wire leads (100 mm length)

Metal Shaft	
12	.375" (9,53 mm) *
16	.500" (12,7 mm) *
20	.625" (15,88 mm)
24	.750" (19,05 mm)
28	.875" (22,23 mm)
32	1.00" (25,4 mm)
40	1.25" (31,75 mm)
64	2.00" (50,8 mm)
80	2.50" (63,5 mm)

Diameter: 1/4"  
Length increment: 1/32"  
\*Available with .250" bushing length only.

Bushings	
2	.250" (6,35mm)
3	.375" (9,53mm)
4	.500" (12,7 mm)
5	.500" (12,7 mm) Split locking

Diameter: 3/8"– 32UNEF-2A  
Length increment: 1/8"

Code	Resistance
501	500 Ω
102	1 kΩ
202	2 kΩ
252	2.5 kΩ
502	5 kΩ
103	10 kΩ
203	20 kΩ
253	25 kΩ
503	50 kΩ
104	100 kΩ
204	200 kΩ
254	250 kΩ
504	500 kΩ
105	1 MΩ

Other resistance values available on request.

Code	Spec.
A	±10%
B	±20%

Code	Spec.
1	Left side lug
4	Right side lug
5	No lug

Code	Spec.
1	Linear
2	10% AUD
3	10% CCW AUD

Other tapers are available on request.

Code	Spec.
R	Round
F	Flatted
S	Slotted

## Electrical Specifications

Parameter	Conditions & Remarks	Min	Max	Unit
Resistance Range	Linear	500	1Meg	$\Omega$
Dielectric Strength	1 minute		750	VAC
Power Rating	@ 70°C		2.0	watt
Operating Voltage			500	VDC
Insulation Resistance	250 VDC	100		M $\Omega$
Resistance Tolerance	Standard: $\pm 20\%$ Special: $\pm 10\%$			
Independent Linearity	$\pm 5\%$			
Effective Electrical Angle	274°			

## Mechanical and Environmental

Parameter	Conditions & Remarks	Min	Max	Unit
Operating Temperature Range		-40	+120	°C
Rotational Life	Element Wear	100,000		cycles
Mechanical Angle			312	°
Stop Strength	9 kg-cm (7.8 in-lb)			
Rotational Torque	400 to 800 gf-cm (5.5 to 11.1 oz-in)			
Push-Pull Strength of Shaft	13.6 kg for 10 seconds			
Ingression Protection	IP50, optional IP67			
Mounting Torque	28.8 kg-cm (25 in-lb) max.			
Weight	22g typical (weights vary based on shaft and bushing sizes)			
Soldering Condition	Maximum temperature of 260°C for 5 seconds			
Marking	CTS logo, part number and date code			
Packaging	Standard cardboard box packaging			

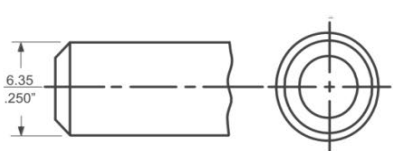
All testing is performed at room ambient conditions except as noted. Users should verify device actual performance in their specific applications.

This product is compliant to RoHS3 Directive 2015/863 Amendments of Annex II on 31 March 2015, and REACH SVHC Directive EC 1907/2006 Amendments of Annex XIV & Annex XVII on 15 January 2018.

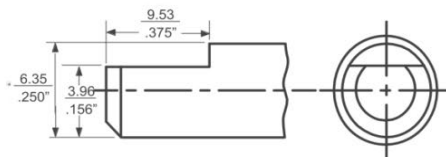
Custom and value-added options available on request. Please contact your sales representative for additional information.

## Electrical and Mechanical Specifications

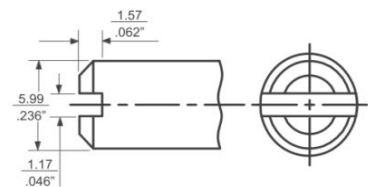
### Shaft Diameter and Trim Options



R-Round



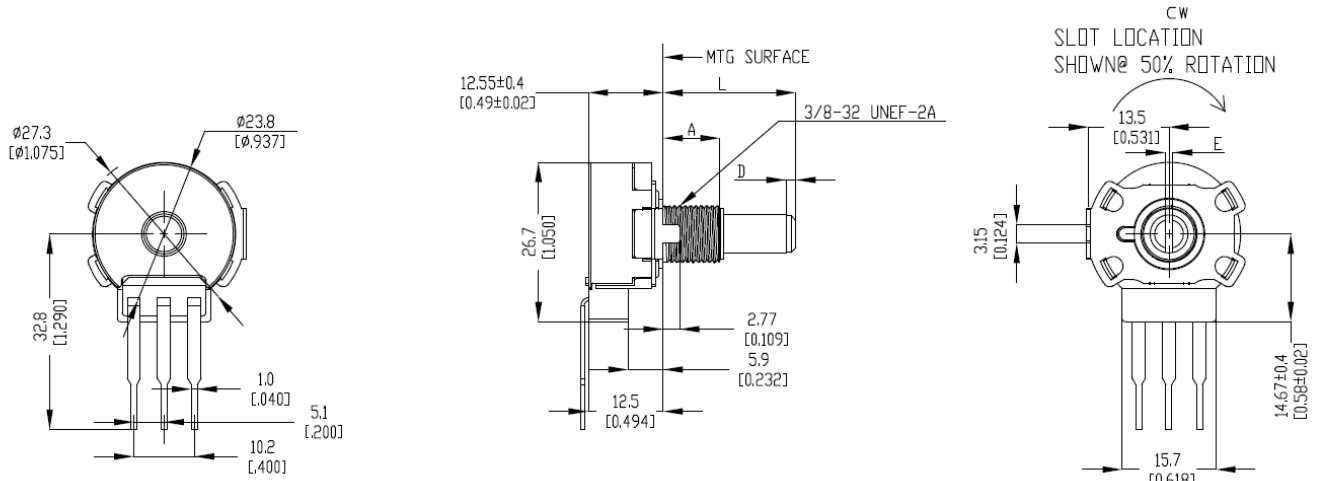
F-Flatted



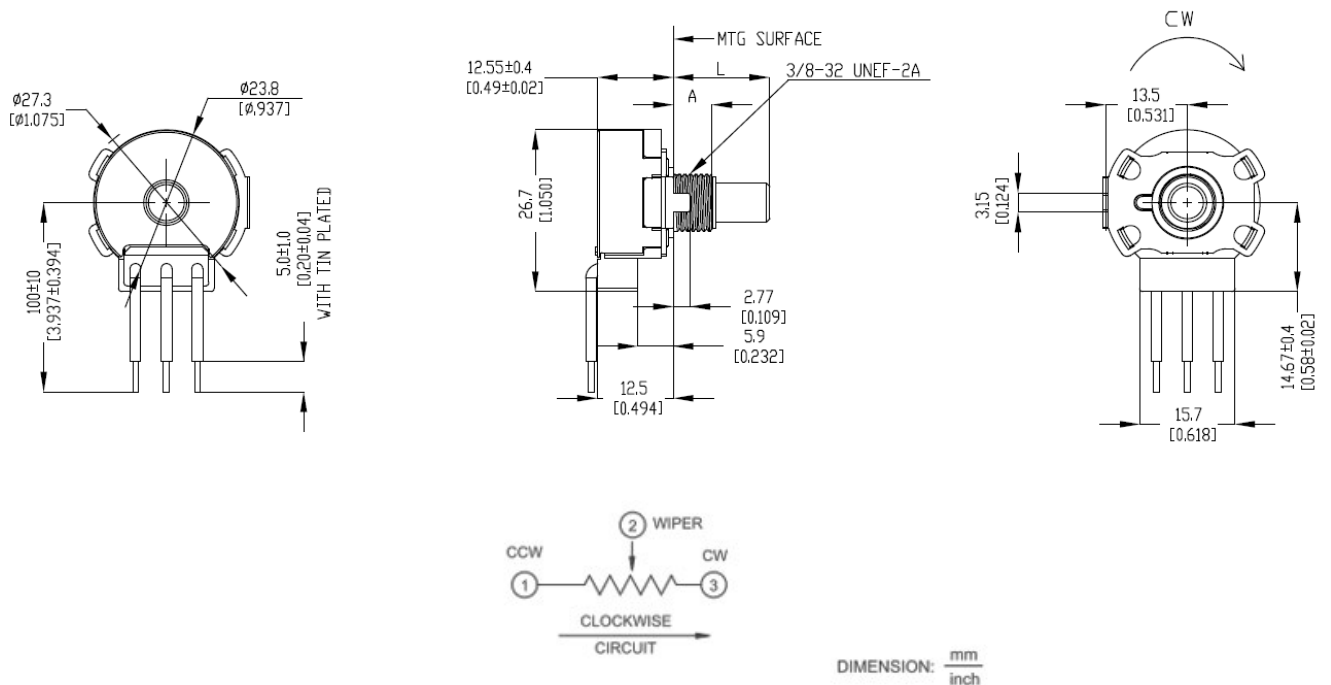
S-Slotted

## Electrical and Mechanical Specifications

### Series 287 Metal Shaft, Bushing Mount, Printed Circuit "X" Type Terminals

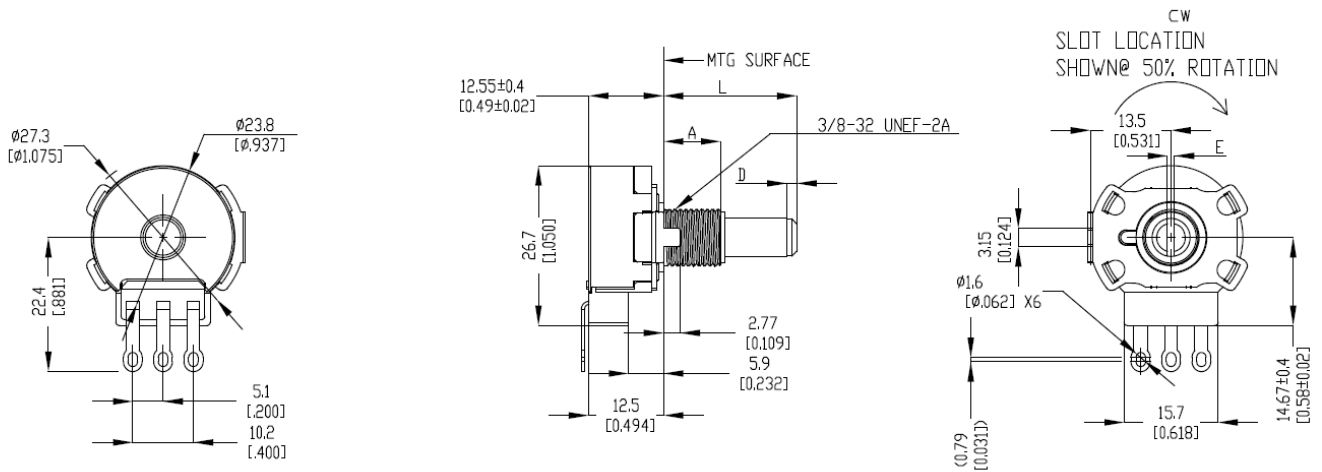


### Series 287 Metal Shaft, Bushing Mount, Wire Lead "C" Type Terminals

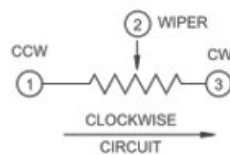
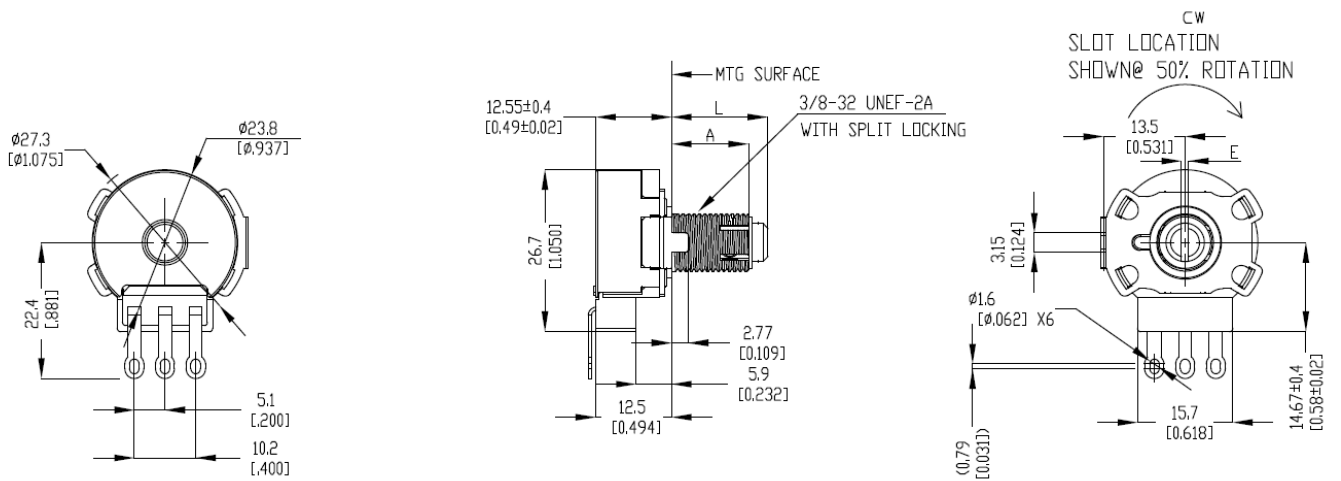


## Electrical and Mechanical Specifications

### Series 287 Metal Shaft, Bushing Mount, Solder Lug “T” Type Terminals



### Series 287 Metal Shaft, Split Lock Bushing Mount, Solder Lug “T” Type Terminals



DIMENSION:  $\frac{\text{mm}}{\text{inch}}$

## X-ON Electronics

Largest Supplier of Electrical and Electronic Components

*Click to view similar products for [Potentiometers](#) category:*

*Click to view products by [CTS](#) manufacturer:*

Other Similar products are found below :

[58C2-2](#) [590SX1N32F103SS](#) [591SXJ48S252SC](#) [591SXP56S252SC](#) [591SXP56S503SC](#) [D31409](#) [70B1G048K502X-A](#) [70B1M032S502W](#)  
[70B1N056S202W](#) [70B8N056F502W](#) [70J8N048S104U](#) [70L1N040P103W](#) [70L1N048P103X](#) [70L1N048S103W](#) [GA2L040S102UC](#)  
[GA2L040S103UC](#) [GS1G044P103UA](#) [GS1N048P103UA](#) [GS1T032S103UA](#) [A43-1500](#) [A43-20K](#) [A47-200K](#) [A4720K](#) [RA20LASD251A](#)  
[132-2-0-202](#) [132-0-0-202](#) [RK14K1220-F25-C0-A103](#) [RK14K1220F25C0C104](#) [RK14K1220-F25-C1-B103](#) [14910FAGJSX10102KA](#)  
[14910FBGLFY00103KA](#) [14910AABHSX10103KA](#) [14910FAGJSX10104KA](#) [152-01031](#) [C0342008 5K](#) [P270-109A](#) [J97589](#) [23M728](#)  
[248BBHS0XB25104MA](#) [RV170F-10-15R1-B500K-0021](#) [RV8NAYSB104A](#) [917523A](#) [A43-40](#) [A43-750](#) [A43S-5](#) [A47-15K](#) [A4750K](#)  
[SPPG048S103U](#) [SPPG056P103U](#) [SWE-10](#)