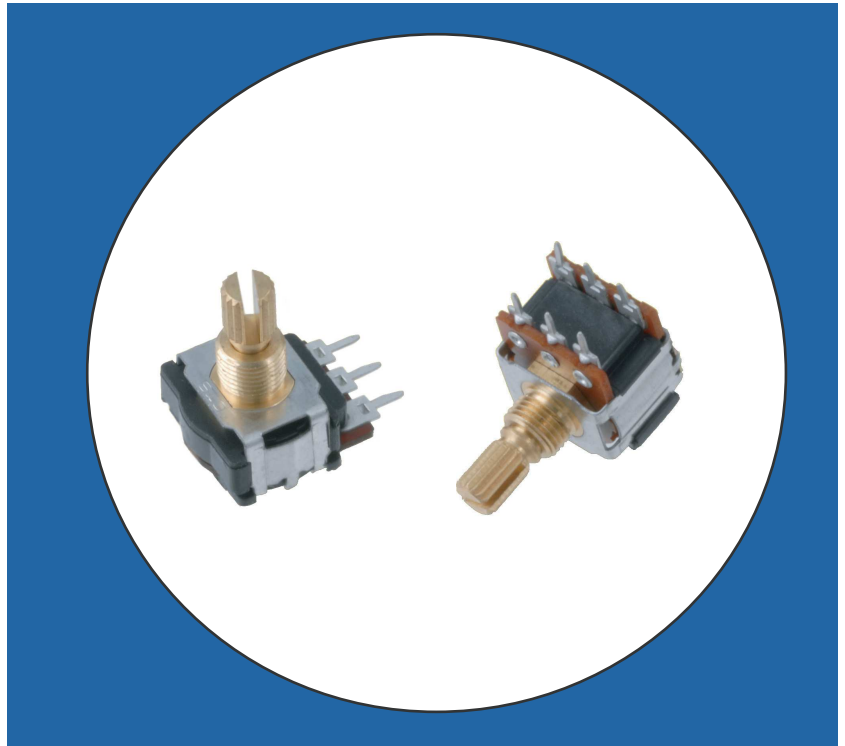


### Commercial Miniature 16mm Size Rotary Encoder

#### Features

- Robust Construction
- 2-bit Incremental or 4-bit Absolute Encoder
- Optional Momentary Switch
- Available with 16 Detents
- Continuous Rotation
- Bushing Mount
- Solder Lug or PCB Terminals
- RoHS Compliant



### Electrical and Mechanical Specifications

#### Encoder:

**Contact Resistance**

500Ω maximum

**Voltage Rating**

5 VDC @ 0.5mA maximum

**Detent Points**

16 detents available

**Rotational Life**

50,000 cycles

**Resolution**

2-bit: 4, 6, 8, 10 or 12 pulses in 360°

4-bit: 16 combinations in 360°

**Insulation Resistance**

10MΩ minimum at 50 VDC

**Temperature Range**

Operating: -25°C to +100°C

Storage: -30°C to +100°C

**Rotational Torque**

No Detent: 36 - 216 gf.cm

With Detent: 100 - 500 gf.cm

**Solder Heat Resistance**

260°C for 5 seconds

**Push-Pull Strength of Shaft**

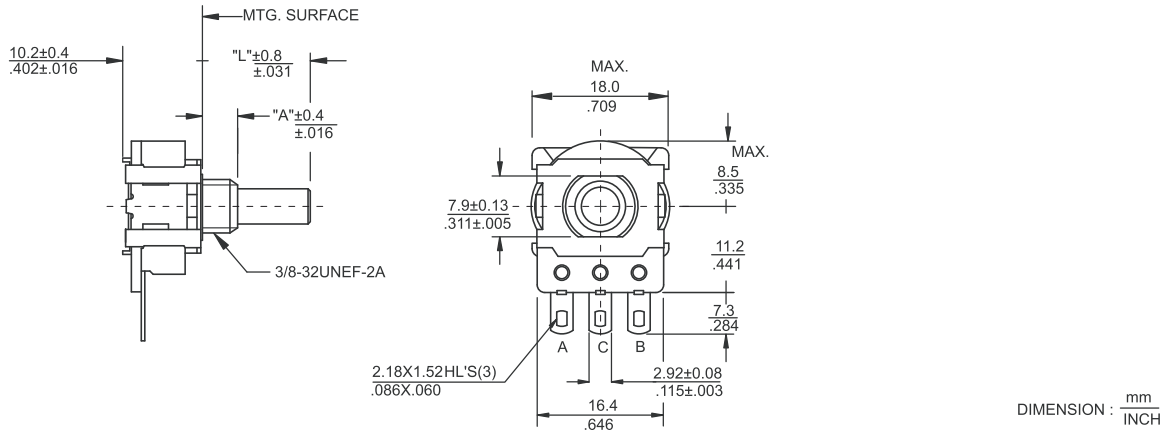
8 kg minimum for 10 seconds

**Special**

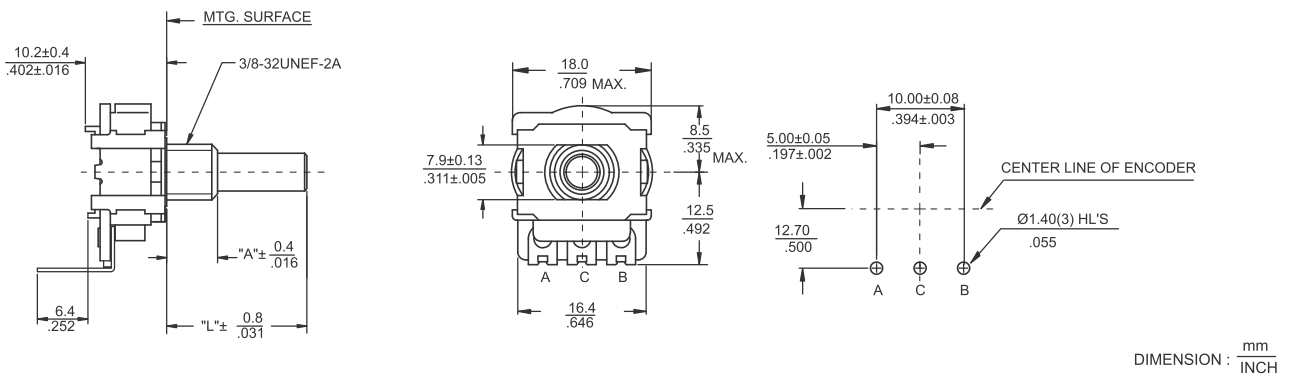
Consult CTS for customized or features not listed, including other detent points, resolution, torque and mounting style.



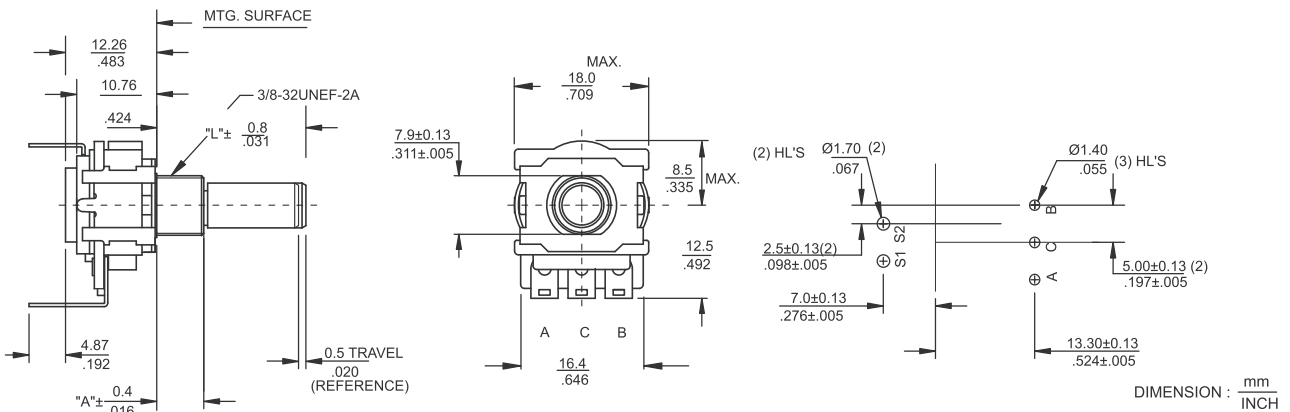
**288T** Typical 2-bit Encoder With Solder Lug Terminals



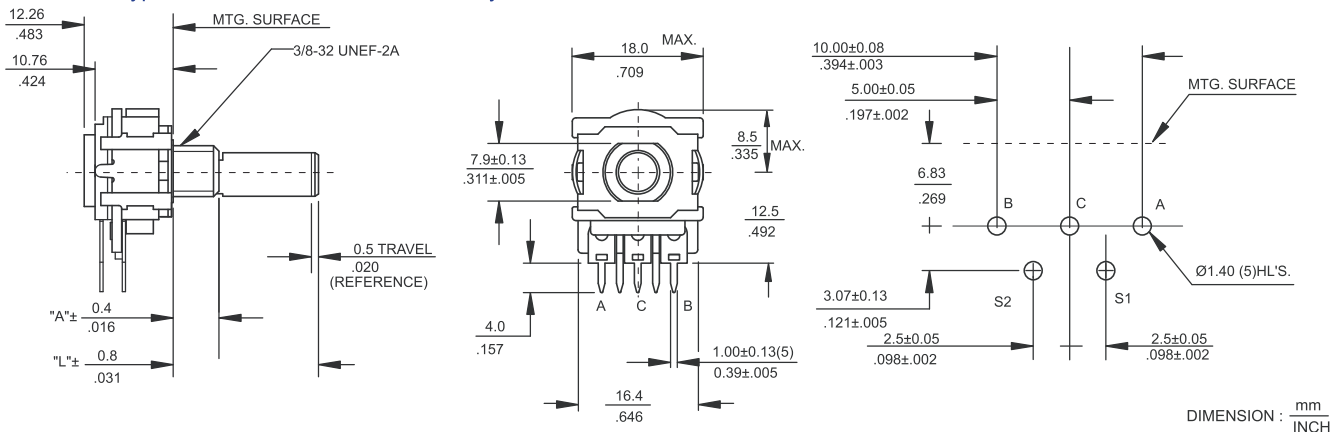
**288V** Typical 2-bit Perpendicular to P.C. Board



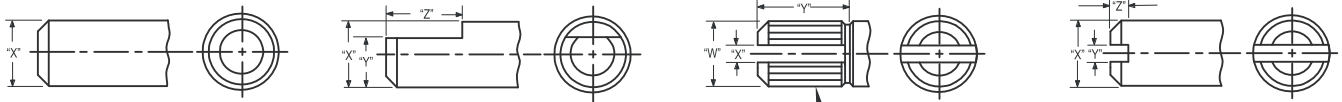
**MC-288V** Typical 2-bit Encoder With Momentary Switch Perpendicular to P.C. Board



**MC-288X** Typical 2-bit Encoder With Momentary Switch Parallel to P.C. Board



# Shaft Trim



**R - ROUND**

	X
Imperial Shaft	.250"
Metric Shaft	6.00

**F - FLATTED**

	X	Y	Z
Imperial Shaft	.250"	.156"	.375"
Metric Shaft	6.00	4.50	7.00

**K - KNURLED & SLOTTED**

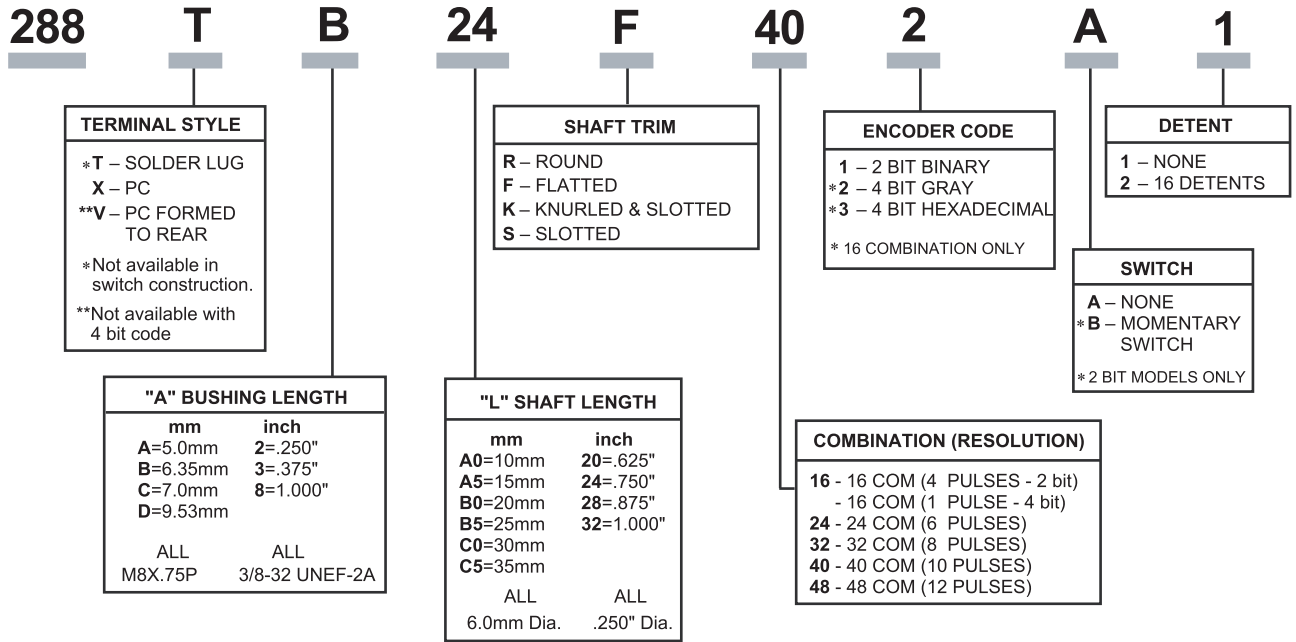
	W	X	Y	Z
Imperial Shaft	.236"	.062"	.344"	24 TEETH
Metric Shaft	6.00	1.57	7.0	18 TEETH

**S - SLOTTED**

	X	Y	Z
Imperial Shaft	.250"	.046"	.062"
Metric Shaft	6.00	1.17	1.57

DIMENSION:  $\frac{\text{inch}}{\text{mm}}$

## Ordering Information



Please consult CTS for customized or features not listed.

## X-ON Electronics

Largest Supplier of Electrical and Electronic Components

*Click to view similar products for [Encoders](#) category:*

*Click to view products by [CTS](#) manufacturer:*

Other Similar products are found below :

[6-1393048-0](#) [6-1393048-5](#) [62AG22-H5-P](#) [62B22-LP-030C](#) [63K25](#) [63K32](#) [63KS100](#) [63KS64](#) [63R100](#) [63R50-020](#) [63RS256-060](#) [700-09-36](#)  
[RE12D300-201-1](#) [1393047-3](#) [2-1393047-2](#) [T101-5C2-111-M1](#) [T101-5C3-111-M1](#) [T101-5C4-111-M1](#) [385001M0439](#) [385001M0216](#)  
[V23401H1409B101](#) [V23401T8002B802](#) [V23401U6019B609](#) [E69-1](#) [E69DF10](#) [E69-FCA](#) [62B11-LP-100S](#) [62B11-LPP-040C](#) [62N11-P](#)  
[62S22-H9-120S](#) [62S30-L0-200C](#) [62V15-02-080S](#) [63K64](#) [63KS100-040](#) [63R64-050](#) [63RS64](#) [700-16-16](#) [V23401D3002B301](#)  
[V23401D1001B102](#) [3-1393048-1](#) [63KS128](#) [63KS256](#) [1-1879391-5](#) [GH65C11-N-SO](#) [62S15-M0-P](#) [1393047-1](#) [E69-FCA02](#) [E69-FCA04](#)  
[E69-DF20](#) [E69-DF2](#)