

Commercial 12mm Diameter Carbon Composition Rotary Potentiometer

Features

- Miniature 12mm size
- Low cost
- Snap-in bracket for PC board mounting
- Detent available
- Insulated shaft available
- RoHS compliant



Electrical and Mechanical Specifications

Resistance Range

500 ohms through 1 Megohms

Resistance Tolerance

±30%, ±20%, ±10%

Power Rating

0.15 watts @ 50°C

Dielectric Strength

500 VDC for 1 minute

Maximum Operating Voltage

350 VDC

Insulation Resistance

100 Megohms minimum @ 250 VDC

Rotational Angle

Mechanical angle: 300°
Effective angle: 280°

Rotational Torque

20 – 216 gf-cm

Stop Strength

5.76 kg-cm minimum (VR without detent)
3 kg-cm minimum (VR with detent)

Mounting Information

P.C. board mounting
Type "X": Shaft parallel to P.C. board
Type "U": Shaft vertical to P.C. board
Type "H": Same as "X" except hook terminals

Detent

Detent @ 50% rotation

Push-Pull strength on shaft

8 kg for 10 seconds

Rotational life

10K cycles

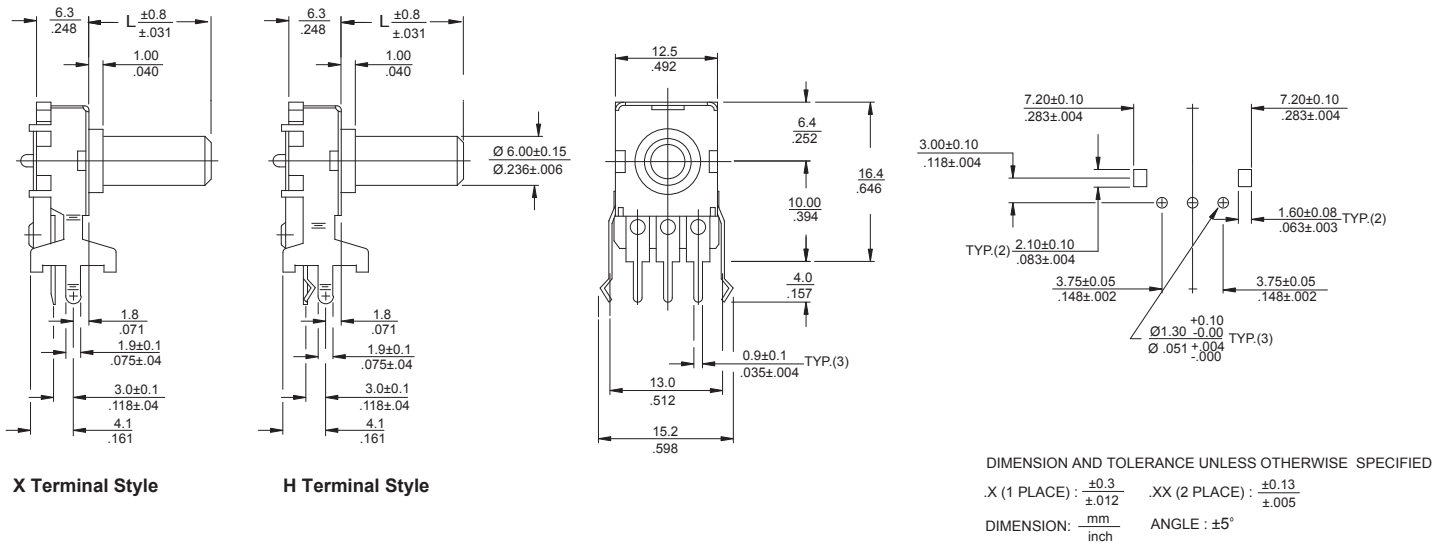
Operating temperature

-10°C ~ 80°C

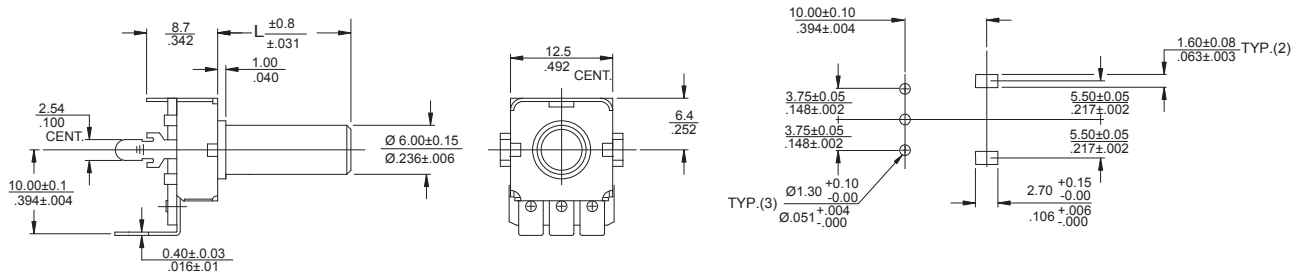
Solder Heat Resistance

260°C for 5 seconds

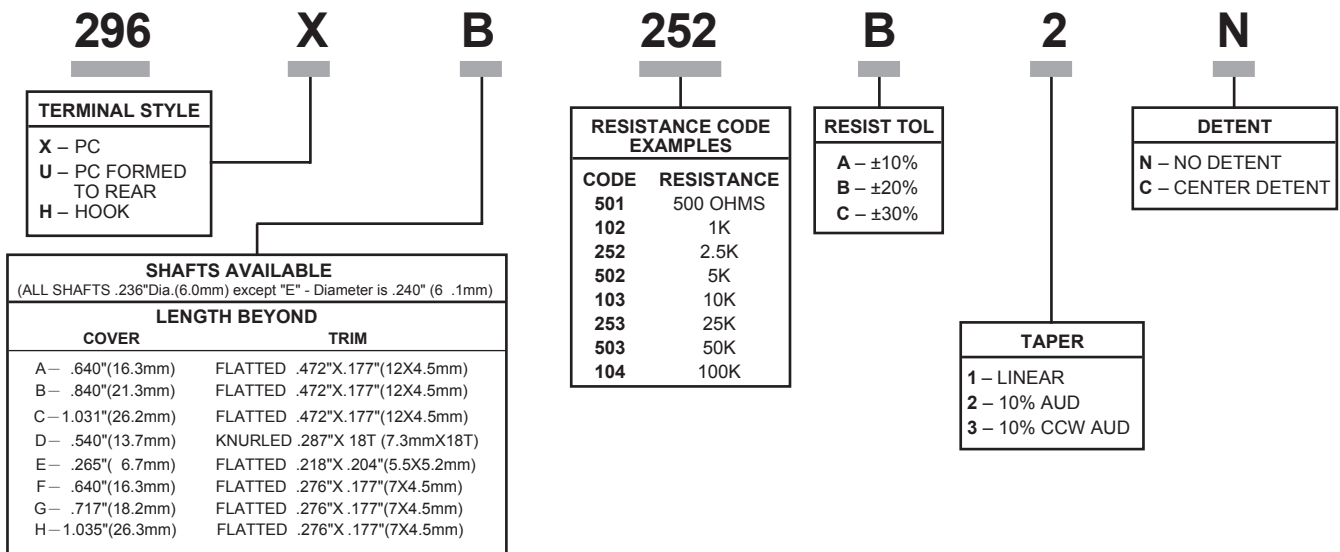
XM 296RE/ HM 296RE Molded Shaft, Shaft Parallel to P.C. Board



UM 296RE Molded Shaft, Shaft Perpendicular to P.C. Board



Ordering Information



X-ON Electronics

Largest Supplier of Electrical and Electronic Components

Click to view similar products for [Potentiometers](#) category:

Click to view products by [CTS](#) manufacturer:

Other Similar products are found below :

[590SX1N32F103SS](#) [006-0-1](#) [591SXJ48S252SC](#) [591SXP56S252SC](#) [591SXP56S503SC](#) [D31409](#) [70B1G048K502X-A](#) [70B1M032S502W](#)
[70B1N056S202W](#) [70B8N056F502W](#) [70J8N048S104U](#) [70L1N040P103W](#) [70L1N048P103X](#) [70L1N048S103W](#) [81R1A-R22-A20L](#) [85A2A-](#)
[B28-B27/R51](#) [GS1G044P103UA](#) [GS1T032S103UA](#) [A47-200K](#) [A4720K](#) [RA20LASD251A](#) [132-0-0-502](#) [132-2-0-202](#) [132-0-0-102](#) [132-0-0-](#)
[103](#) [132B00301](#) [RK14K1220-F25-C0-A103](#) [RK14K1220F25C0C104](#) [RK14K1220-F25-C1-B103](#) [14910F0GJSX10105KA](#)
[14910FAGJSX10102KA](#) [14910FBGLFY00103KA](#) [14910AABHSX10502KA](#) [14910FAGJSX10104KA](#) [ASM6674E](#) [152-01031](#) [P140KH1-](#)
[F15AR50K](#) [P170SPD-FC15BR10K](#) [P231-EC20BR5K](#) [P270-109A](#) [J97589](#) [P9A2R000FISX1103MA](#) [248BBHS0XB25104MA](#)
[248BBHS0XB25503MA](#) [RV170F-10-15R1-B500K-0021](#) [RV24AF-10-15R1-B500-3](#) [A43-750](#) [A47-15K](#) [A4750K](#) [SPPG048S103U](#)