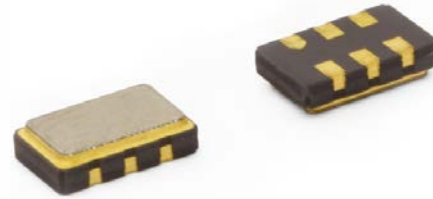


Model 345

HFF LVPECL VCXO

Features

- Ceramic Surface Mount Package
- Ultra-Low Phase Jitter Performance
- High Frequency Fundamental Crystal Design
- Frequency Range 100 – 250MHz *
- +3.3V Operation
- Output Enable Standard
- Tape and Reel Packaging, EIA-418



Part Dimensions:
5.0 × 3.2 × 1.2mm • 62.28mg

Applications

- Small Cells
- Wireless Communication
- Broadband Access
- SONET/SDH/DWDM
- Base Stations
- Ethernet/GbE/SyncE
- Digital Video
- Test and Measurement

Standard Frequencies

- 100.00MHz
- 122.88MHz
- 125.00MHz
- 153.60MHz
- 155.52MHz
- 156.25MHz
- 160.00MHz
- 166.00MHz
- 200.00MHz
- 204.80MHz
- 240.00MHz
- 245.76MHz

* Check factory for availability of frequencies not listed.

Description

CTS Model 345 is a low cost, small size, high performance VCXO. Employing the latest IC technology, coupled with a high frequency fundamental crystal, M345 has excellent stability and low jitter/phase noise performance.

Ordering Information

| Model | Supply Voltage | Absolute Pull Range | Frequency Stability | Temperature Range | Frequency Code [MHz] | Packaging |
|-------|-----------------------------|-----------------------------------|---|--|---|--------------------------------|
| 345 | L | B | 3 | I | XXX or XXXX | T |
| | Code Voltage L +3.3V ±5% | Code APR B ±50ppm ³ | Code Stability 5 ±25ppm ¹ 4 ±30ppm 3 ±50ppm | Code Temp. Range C -20°C to +70°C I -40°C to +85°C | Code Frequency Product Frequency Code ² | Code Packing T 1k pcs./reel |

Notes:

- 1] Check factory availability with "I" temperature range.
- 2] Refer to document 016-1454-0, Frequency Code Tables. 3-digits for frequencies <100MHz, 4-digits for frequencies 100MHz or greater.
- 3] Frequencies ≥200MHz, APR is ±30ppm.

**Not all performance combinations and frequencies may be available.
Contact your local CTS Representative or CTS Customer Service for availability.**

This product is specified for use only in standard commercial applications. Supplier disclaims all express and implied warranties and liability in connection with any use of this product in any non-commercial applications or in any application that may expose the product to conditions that are outside of the tolerances provided in its specification.

Electrical Specifications

Operating Conditions

| PARAMETER | SYMBOL | CONDITIONS | MIN | TYP | MAX | UNIT |
|-------------------------|-----------|--|------------|-----|------------|------------------|
| Maximum Supply Voltage | V_{CC} | - | -0.3 | - | 5.0 | V |
| Maximum Control Voltage | V_C | - | -0.5 | - | V_{CC} | V |
| Supply Voltage | V_{CC} | ±5% | 3.14 | 3.3 | 3.47 | V |
| Supply Current | I_{CC} | Typical @ LVPECL Load, $T_A = +25^\circ\text{C}$ | - | 65 | 80 | mA |
| Output Load | R_L | Terminated to $V_{CC} - 2.0\text{V}$ | - | 50 | - | Ohms |
| Operating Temperature | T_A | - | -20 -40 | +25 | +70 +85 | $^\circ\text{C}$ |
| Storage Temperature | T_{STG} | - | -40 | - | +100 | $^\circ\text{C}$ |

Frequency Stability

| PARAMETER | SYMBOL | CONDITIONS | MIN | TYP | MAX | UNIT |
|---------------------------------|-------------------|---|-----|--------------|-----|------|
| Frequency Range | f_O | - | | 100 - 250 | | MHz |
| Frequency Stability [Note 1] | $\Delta f/f_O$ | ±25ppm stability, -20°C to $+70^\circ\text{C}$ only | | 25, 30 or 50 | | ±ppm |
| Absolute Pull Range [Note 2] | APR | Frequencies <200MHz | 50 | - | - | ±ppm |
| | APR | Frequencies ≥200MHz | 30 | - | - | ±ppm |
| Aging | $\Delta f/f_{25}$ | First Year @ $+25^\circ\text{C}$, nominal V_{CC} and V_C | -3 | - | 3 | ppm |

1.] Inclusive of initial tolerance at time of shipment, changes in supply voltage, load, temperature and 1st year aging.

2.] Minimum guaranteed frequency shift from f_O over variations in temperature, aging, power supply and load.

Output Parameters

| PARAMETER | SYMBOL | CONDITIONS | MIN | TYP | MAX | UNIT |
|-----------------------|------------|---|------------------|--------|------------------|------|
| Output Type | - | - | | LVPECL | | - |
| Output Voltage Levels | V_{OH} | LVPECL Load, -40°C to $+85^\circ\text{C}$ | $V_{CC} - 1.085$ | - | $V_{CC} - 0.880$ | V |
| | V_{OL} | LVPECL Load, -40°C to $+85^\circ\text{C}$ | $V_{CC} - 1.810$ | - | $V_{CC} - 1.620$ | V |
| Output Duty Cycle | SYM | @ $V_{CC} - 1.3\text{V}$ | 45 | - | 55 | % |
| Rise and Fall Time | T_R, T_F | @ 20%/80% Levels | - | 0.3 | 1.0 | ns |
| Start Up Time | T_S | Application of V_{CC} | - | 5 | 10 | ms |
| Enable Function | | | | | | |
| Enable Input Voltage | V_{IH} | Pin 2 Logic '1', Output Enabled | $0.7V_{CC}$ | - | - | V |
| Disable Input Voltage | V_{IL} | Pin 2 Logic '0', Output Disabled | - | - | $0.3V_{CC}$ | V |
| Standby Current | I_{STB} | Pin 2 Logic '0', Output Standby | - | - | 10 | μA |
| Enable Time | T_{PLZ} | Pin 2 Logic '1' | - | - | 20 | μs |
| Phase Jitter, RMS | t_{jrms} | Bandwidth 12kHz - 20MHz | - | 90 | 200 | fs |
| Phase Noise | - | See Typical Plots | - | - | - | - |

Enable Truth Table

| Pin 2 | Pin 4 & 5 |
|-----------|-----------|
| Logic '1' | Output |
| Open | Output |
| Logic '0' | High Imp. |

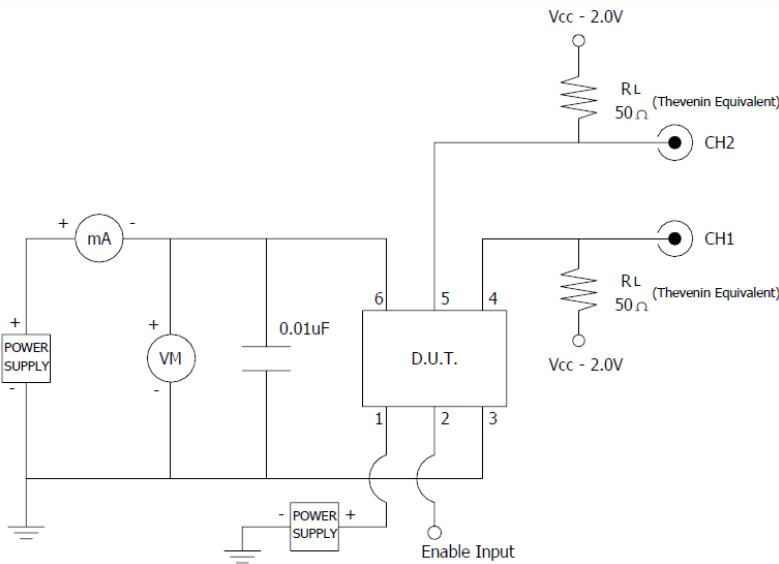
Electrical Specifications

Control Voltage

| PARAMETER | SYMBOL | CONDITIONS | MIN | TYP | MAX | UNIT |
|---------------------|----------------|-----------------------------------|------|--------------------------|------|-------|
| Control Voltage | V_C | - | 0.00 | 1.65 | 3.30 | V |
| Frequency Deviation | $\Delta f/f_0$ | $V_C = 0.0V$ $V_C = 3.3V$ | | -155 to -75 75 to 155 | | ppm |
| Linearity | L | Best Straight Line Fit | - | 5 | 10 | % |
| Gain Transfer | K_V | Pull Sensitivity; @ +1.65V, +25°C | - | 75 | - | ppm/V |
| Input Impedance | Z_{Vc} | - | 10 | - | - | MOhms |
| Modulation Roll-off | - | @ -3dB | 25 | - | - | kHz |
| Transfer Function | - | - | | Positive | | - |

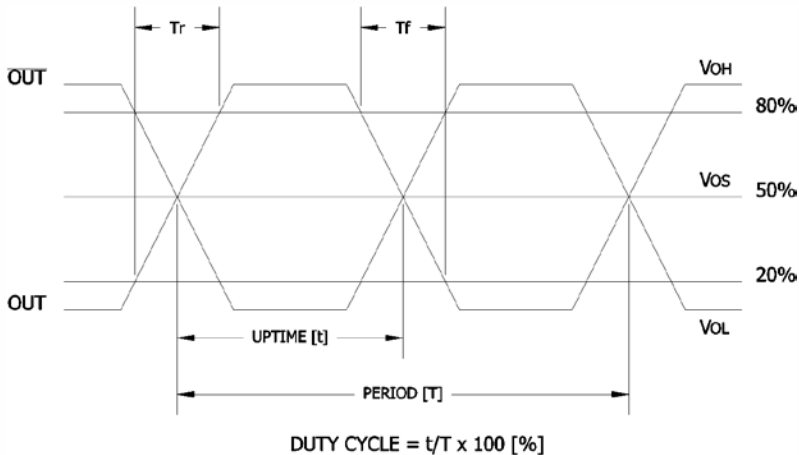
Test Circuit

LVPECL



Output Waveform

LVPECL

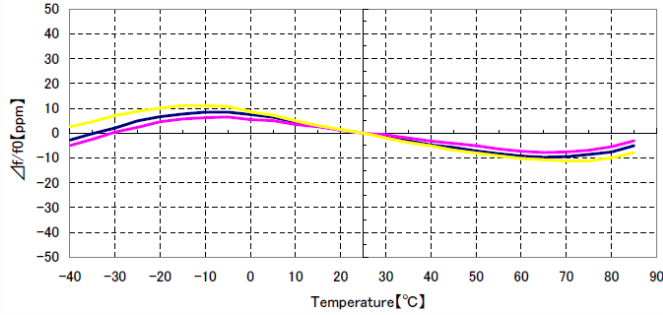


Electrical Specifications

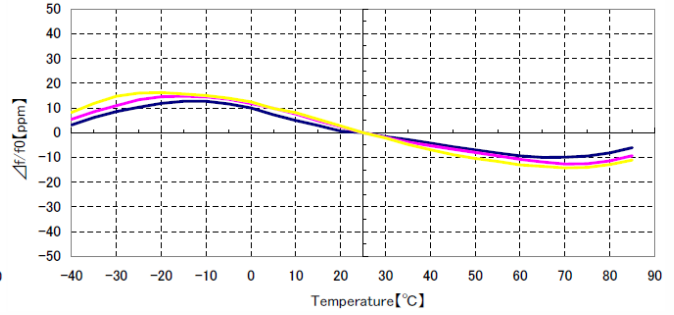
Performance Data

Frequency Deviation – Over Temperature [typical]

122.88MHz, $V_{CC} = 3.3V$, $V_C = 1.65V$



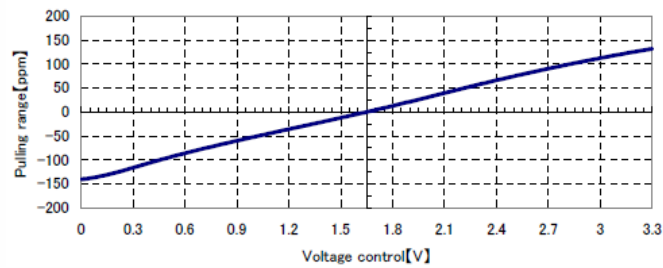
156.25MHz, $V_{CC} = 3.3V$, $V_C = 1.65V$



Frequency Deviation – Pulling Range [typical]

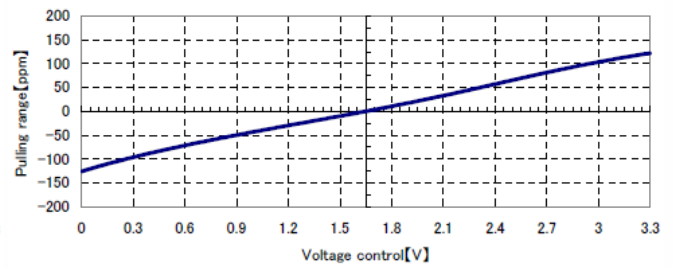
122.88MHz, $V_{CC} = 3.3V$, $T_A = +25^\circ V$

Pulling range



156.25MHz, $V_{CC} = 3.3V$, $T_A = +25^\circ V$

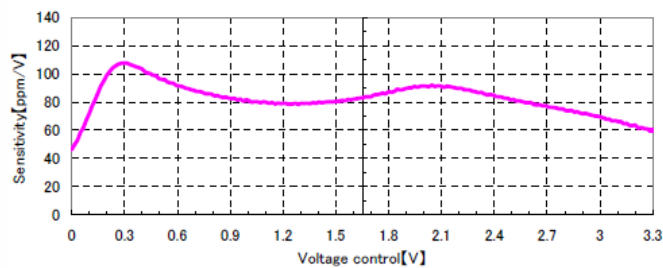
Pulling range



Frequency Deviation – Gain Transfer [typical]

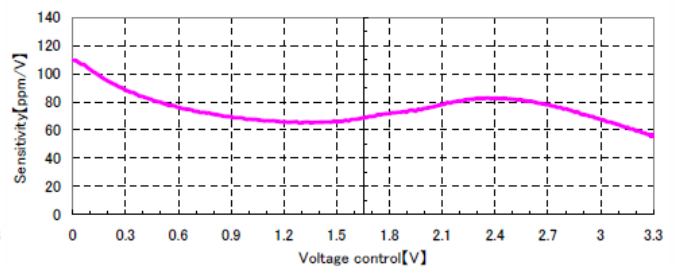
122.88MHz, $V_{CC} = 3.3V$, $T_A = +25^\circ V$

Sensitivity



156.25MHz, $V_{CC} = 3.3V$, $T_A = +25^\circ V$

Sensitivity

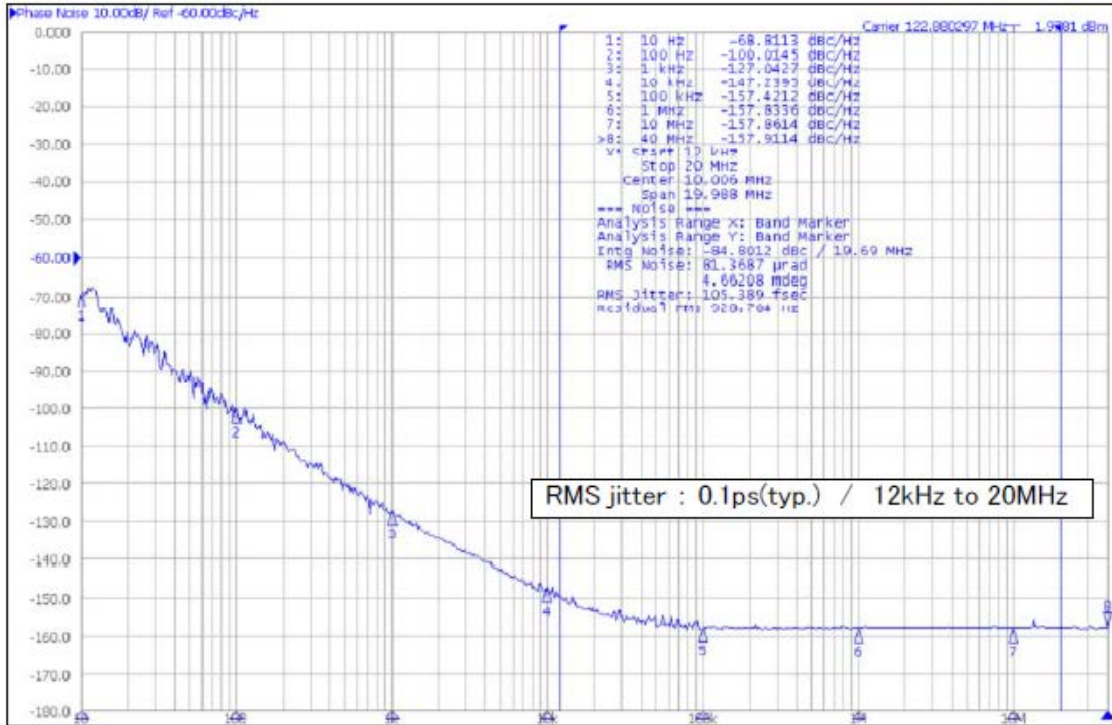


Electrical Specifications

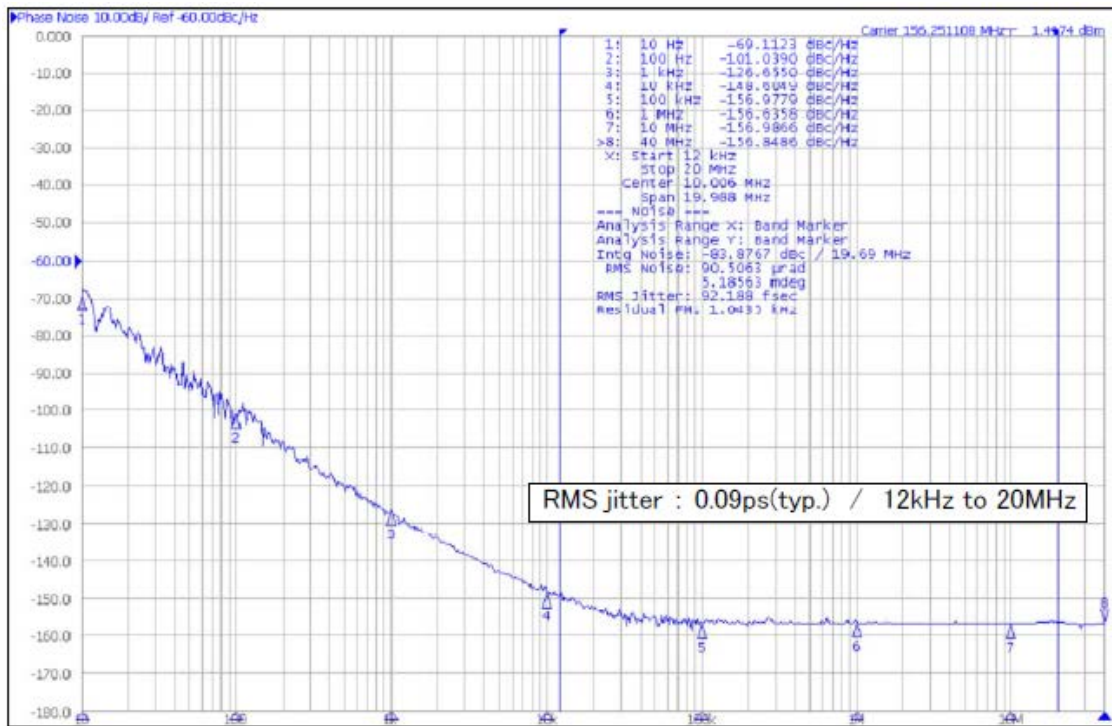
Performance Data

Phase Noise [typical]

122.88MHz, $V_{CC} = 3.3V$, $V_C = 1.65V$, $T_A = +25^\circ C$

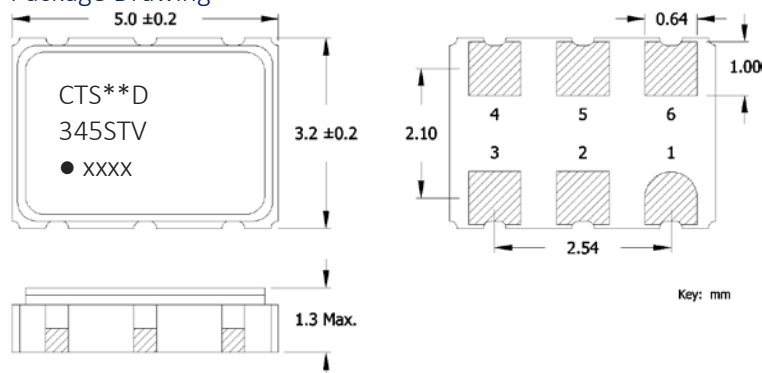


156.25MHz, $V_{CC} = 3.3V$, $V_C = 1.65V$, $T_A = +25^\circ C$



Mechanical Specifications

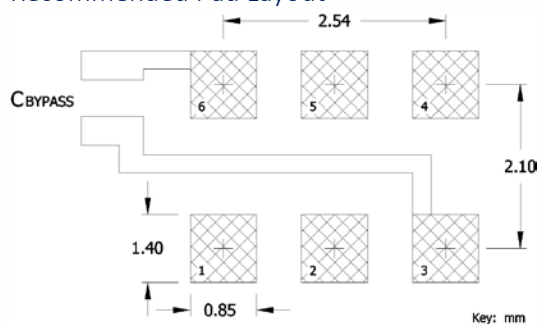
Package Drawing



Marking Information

1. ** - Manufacturing Site Code.
2. D – Date Code. See Table I for codes.
3. ST – Frequency Stability/Temperature Code. [Refer to Ordering Information]
4. V – Voltage Code. L = 3.3V
5. xxxx – Frequency Code. 4-digits required for frequencies 100MHz and above. [See document 016-1454-0, Frequency Code Tables.]

Recommended Pad Layout



Notes

1. JEDEC termination code (e4). Barrier-plating is nickel [Ni] with gold [Au] flash plate.
2. Reflow conditions per JEDEC J-STD-020; +260°C maximum, 20 seconds.
3. MSL = 1.

Pin Assignments

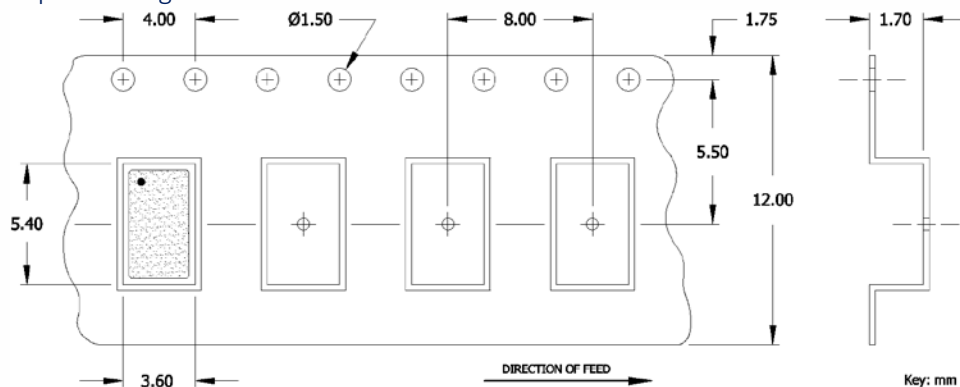
| Pin | Symbol | Function |
|-----|----------|--------------------------|
| 1 | V_C | Control Voltage |
| 2 | EOH | Enable |
| 3 | GND | Circuit & Package |
| 4 | Output | RF Output |
| 5 | Output | RF Output, Complementary |
| 6 | V_{CC} | Supply Voltage |

Table I - Date Code

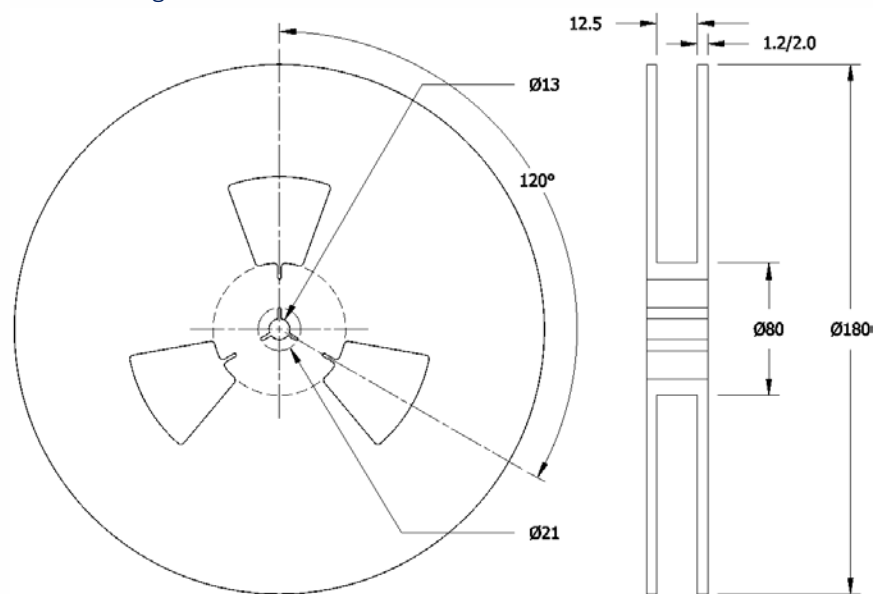
| YEAR | | MONTH | | | | | | | | | | | | | | |
|------|------|-------|------|------|-----|-----|-----|-----|-----|-----|-----|-----|-----|---|---|---|
| | | JAN | FEB | MAR | APR | MAY | JUN | JUL | AUG | SEP | OCT | NOV | DEC | | | |
| 2001 | 2005 | 2009 | 2013 | 2017 | A | B | C | D | E | F | G | H | J | K | L | M |
| 2002 | 2006 | 2010 | 2014 | 2018 | N | P | Q | R | S | T | U | V | W | X | Y | Z |
| 2003 | 2007 | 2011 | 2015 | 2019 | a | b | c | d | e | f | g | h | j | k | l | m |
| 2004 | 2008 | 2012 | 2016 | 2020 | n | p | q | r | s | t | u | v | w | x | y | z |

Packaging - Tape and Reel

Tape Drawing



Reel Drawing



Notes

1. Device quantity is 1k pieces maximum per 180mm reel.
2. Complete CTS part number, frequency value and date code information must appear on reel and carton labels.

X-ON Electronics

Largest Supplier of Electrical and Electronic Components

Click to view similar products for [VCXO Oscillators](#) category:

Click to view products by [CTS](#) manufacturer:

Other Similar products are found below :

[3808AI-DF-33NG-80.0000](#) [SIT3808AI-CF-33EM-50.000000X](#) [603281](#) [YNETHE125](#) [FRSONT019](#) [SiT3701AC-43-33C-10.00000X](#)
[315LB3I1250T](#) [CVSS-945-125.000](#) [VX-501-0245-160M0](#) [CVHD-950-122.880](#) [CVHD-950-80.000](#) [CVHD-950X-100.000](#) [CVPD-920-100.000](#) [ASG-P-V-A-1.000GHZ](#) [ECXV-P37C2M-640.000](#) [CVHD950X-125.000](#) [CVHD-957-22.57920](#) [ECXV-P37C2N-155.520](#) [ECXV-P37C2N-56.000](#) [ECXV-P37C2N-184.320](#) [ECXV-P37C2N-155.000](#) [ECXV-P35C2N-155.520](#) [LFVCXO067515Bulk](#) [ASG-D-V-A-1.000GHZ](#)
[ASG-D-V-A-491.520MHz](#) [CVHD-950-74.25](#) [CVPD-920-74.25](#) [ABLNO-V-92.160MHZ](#) [ABLNO-V-120.000MHZ](#) [ABLNO-V-80.000MHZ](#)
[ABLJO-V-100.000MHZ](#) [ABLJO-V-120.000MHZ](#) [ABLJO-V-122.880MHZ](#) [ABLJO-V-150.000MHZ](#) [ABLJO-V-155.520MHZ](#) [ABLJO-V-200.000MHZ](#) [ABLJO-V-200.000MHZ-T](#) [ABLJO-V-96.000MHZ](#) [ABLNO-V-100.000MHZ](#) [ABLNO-V-100.000MHZ-T2](#) [ABLNO-V-120.000MHZ-T2](#) [ABLNO-V-122.880MHZ](#) [ABLNO-V-125.000MHZ](#) [ABLNO-V-156.250MHZ](#) [ABLNO-V-96.000MHZ](#) [ABLNO-V-96.000MHZ-T2](#) [ABLNO-V-104.000MHZ](#) [ABLNO-V-125.000MHZ-T2](#) [ABLNO-V-155.520MHZ](#) [ASG2-D-V-A-1000.000MHZ](#)