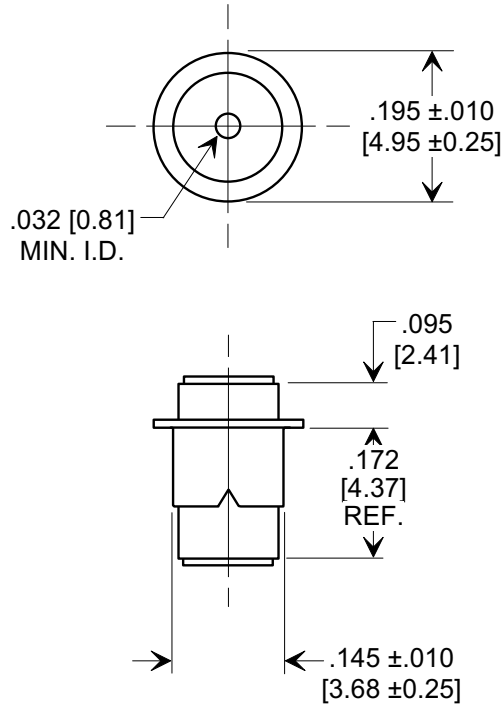
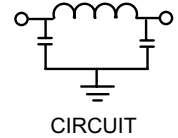
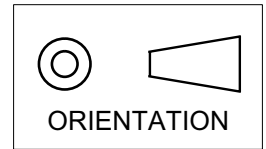


Electrical Testing
per Tusonix standard
test plans and Mil-Std-202
Test Methods.

MARKETING SALES DRAWING
DIMENSIONS IN INCHES - DO NOT SCALE THIS DRAWING
DIMENSIONS IN METRIC - []



NOTES:

- TUSONIX STANDARD PART NUMBER: 4101-000.
TUSONIX RoHS COMPLIANT PART NUMBER: 4101-000 LF.
CUSTOMER MUST SPECIFY STANDARD OR RoHS PART NUMBER WHEN ORDERING.
- RoHS COMPLIANT PART MARKED WITH GREEN DOT FOR IDENTIFICATION.

MIN. CAP. (pF)	WORKING VOLTAGE (WVdc)		CURRENT Idc.	I.R. MIN. @ 100 (VDC.)	DWV (VDC)	MINIMUM NO LOAD INSERTION LOSS (dB) AT 25°C PER MIL-STD-220			
	85°C	125°C				10 MHz	100 MHz	1 GHz	10 GHz
1750	250	125	10 A	10 G	500	5	35	50	50

REVISION RECORD	0	Original Release C.O.
	1	WAS SK 6644-080-S. LE 1-13-84
	2	DIM'S & TOL'S REV'D. RELEASED. L.E. 1-8-85
	C.O.1653	CURRENT UNIT "A" ADDED L.E. 8-20-85
	2595	RDN. TO COMP. FMT. S.M. 07-19-00
	4	20000914-3-03 DIM. .145 TOL WAS ±.018. ADDED I.R. DWV & CIRCUIT. S.M.11-05-04
5	20041105-1-01 ADDED NOTES. S.M. 03-14-05	
6	20050314-3-01	
--TOLERANCES-- Unless Otherwise Specified		Title EYELET STYLE EMI FILTER
DECIMAL ± .015 [0.38]		
ANGLES ±		Drawn S.M. 07-19-00 Scale 4 X
TUSONIX TUCSON, ARIZONA		Approved T.C. 07-19-00
		A 4101-000

X-2015 Rev-0

X-ON Electronics

Largest Supplier of Electrical and Electronic Components

Click to view similar products for [cts manufacturer](#):

Other Similar products are found below :

[744C083333JP](#) [296UD504B1N](#) [262XR102B](#) [744C083102JP](#) [CB3LV-3C-32M7680](#) [744C083222JP](#) [743C083103JP](#) [770101223](#)
[026TB32R253B1A1](#) [CB3-3C-50M0000](#) [ATS040SM-1](#) [APF30-30-13CB/A01](#) [MXO45HST-3C-16M0000](#) [ATS061C](#) [743C083104JP](#)
[744C083472JP](#) [77083103P](#) [218-10LPSTRF](#) [O7050147456MFDA4SC](#) [402WF20012IMR](#) [KFF6516A](#) [194-8MST](#) [742C083330JPTR](#) [750-](#)
[101-R120](#) [TX0506-1B](#) [766143221GP](#) [77061333P](#) [403C35D12M00000](#) [CTS-1621](#) [284TBCF502A26A1](#) [766163560GP](#) [CB3-3I-20M0000](#)
[4400-032](#) [ATS12ASM-1](#) [201XR104B](#) [770103101P](#) [CA25C5003HLT](#) [209-2MSF](#) [6740-2015](#) [CB3-3C-1M5440](#) [T8031-5V](#) [767163104D](#)
[PB1-36ND](#) [ATS049BSM-1E](#) [4400-095LF](#) [209-6LPST](#) [MP100B](#) [767141102GP](#) [766145191APTR7](#) [CB3LV-3C-25.0000-T](#)