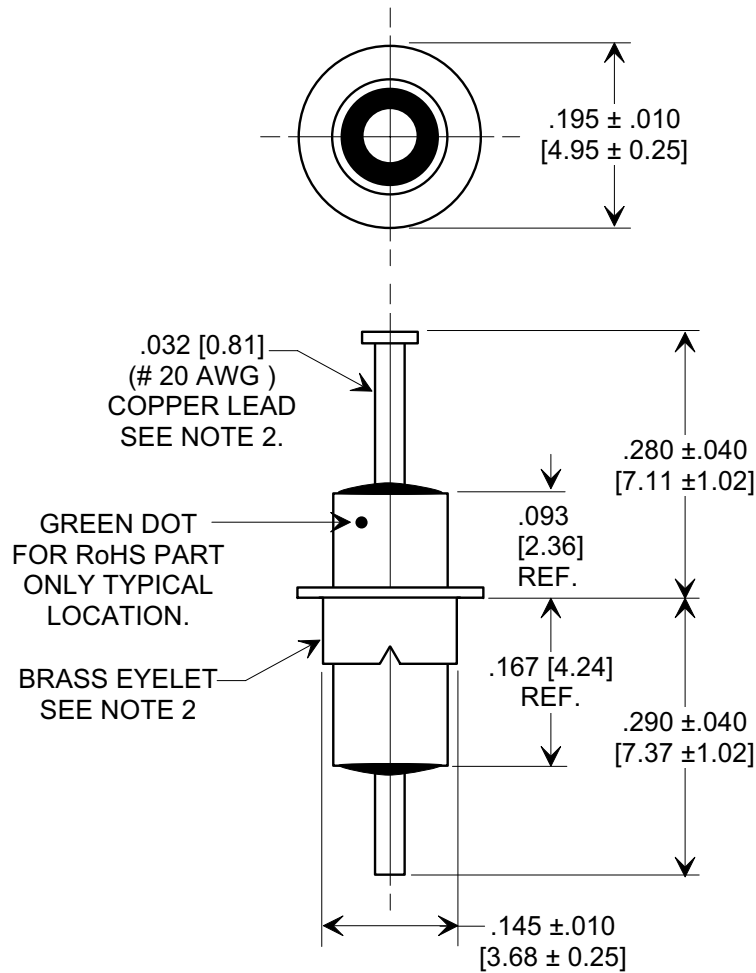
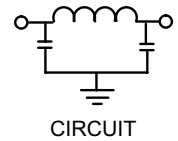
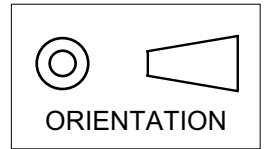


**MARKETING SALES DRAWING**  
**DIMENSIONS IN INCHES - DO NOT SCALE THIS DRAWING**  
**DIMENSIONS IN METRIC - [ ]**

Electrical Testing  
per Tusonix standard  
test plans and Mil-Std-202  
Test Methods.



**Notes:**

- Tusonix Standard part number: 4101-004.  
Tusonix RoHS compliant part number: 4101-004 LF.  
Customer must specify Standard or RoHS part number when ordering.
- Lead finish: Standard Part No.: 60/40 solder plated. RoHS Part No. Silver Plated.  
Eyelet finish Standard Part No.: 60/40 solder plated. RoHS Part No. Silver Plated.
- Part Marking: Standard has no marking. RoHS part: Green Dot.

MIN. CAP. (pF)	WORKING VOLTAGE (WVdc)		CURRENT Idc. (A)	I.R. MIN. @ 100 (VDC.)	DWV 25 SEC. (VDC)	MINIMUM NO LOAD INSERTION LOSS (dB) AT 25°C PER MIL-STD-220			
	85°C	125°C				10 MHz	100 MHz	1 GHz	10 GHz
1750	250	125	10	10 G Ω	500	5	50	60	60

X-2015 Rev-0	<b>REVISION RECORD</b>		<b>TUSONIX</b> TUCSON, ARIZONA	--TOLERANCES-- Unless Otherwise Specified		Title <b>EYELET STYLE EMI FILTER</b>	
	Original Release C.O.	<b>0</b>		DECIMAL ± .031 [0.79]			
	RDN TO CMP FMT. S.M. 07-19-00			ANGLES ±		Drawn S.M. 07-19-00	Scale 5 X
	<b>20000914-3-05</b> REVISED TO STANDARDIZE DWG. ADDED IR & DWV. S.M. 09-13-05	<b>1</b>				Approved T.C. 07-19-00	
		<b>20050829-1-05</b>	<b>2</b>			<b>A</b>	<b>4101-004</b>

## X-ON Electronics

Largest Supplier of Electrical and Electronic Components

*Click to view similar products for [EMI Feedthrough Filters](#) category:*

*Click to view products by [CTS](#) manufacturer:*

Other Similar products are found below :

[FN7611-63-M6](#) [FN7612-10-M3](#) [FN7660-100-M8](#) [1202F-054](#) [1609991-8](#) [1609992-2](#) [16DFC6-C](#) [16FFD6-HE](#) [2-1609992-2](#) [2443-007-X5S0-102MLF](#) [2443-007-X5W0-502ZLF](#) [2463-001-X5S0-471MLF](#) [1609990-8](#) [1609991-3](#) [1609992-1](#) [1609992-3](#) [1609993-1](#) [1609993-7](#) [200AFC6-P](#) [200DFC6-P](#) [FN7510-100-M8](#) [FN7510-32-M4](#) [FN7562-100-M8](#) [FN7562-200-M10](#) [FN7563-100-M8](#) [FN7611-10-M3](#) [FN7612-63-M6](#) [FN7661-16-M4](#) [2450-001-X5U0-102PLF](#) [2499-003-X5S0-152MLF](#) [32AFC6-H](#) [4100-000LF](#) [4201-050LF](#) [4204-001LF](#) [4253-002LF](#) [4306-019LF](#) [4101-004LF](#) [4201-003LF](#) [4208-000LF](#) [4600-067](#) [094-6526-0000](#) [100AFC6-G](#) [10AFC6-B](#) [10DFC6-C](#) [1-1609990-3](#) [1-1609990-7](#) [1-1609992-8](#) [1-1609990-1](#) [1-1609991-1](#) [FN7514-32-M4](#)