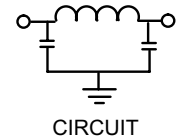
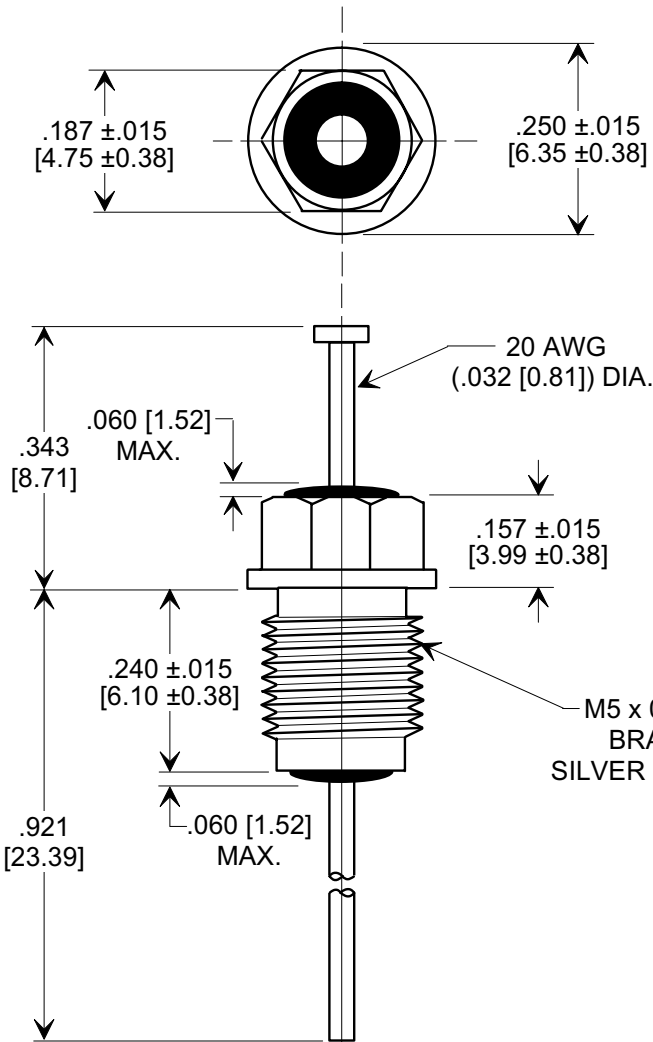
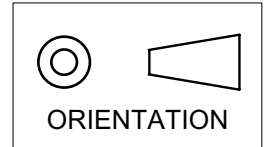


**MARKETING SALES DRAWING**  
**DIMENSIONS IN INCHES - DO NOT SCALE THIS DRAWING**  
**DIMENSIONS IN METRIC - [ ]**

Electrical Testing  
per Tusonix standard  
test plans and Mil-Std-202  
Test Methods.



**NOTES:**

- TUSONIX STANDARD PART NUMBER: 4209-003.  
TUSONIX RoHS COMPLIANT PART NUMBER: 4209-003 LF.  
CUSTOMER MUST SPECIFY STANDARD OR RoHS PART NUMBER WHEN ORDERING.
- LEAD FINISH: STANDARD PART #: 60/40 SOLDER PLATED. RoHS PART #: SILVER PLATED.
- PART MARKING: TRADEMARK AND VARIATION NUMBER ON HEX FLATS.  
STANDARD PART: BLACK INK. RoHS PART: GREEN INK.
- SUPPLIED WITH SILVER PLATED HEX NUT AND INTERNAL TOOTH LOCK WASHER.

MIN. CAP. (pF)	WORKING VOLTAGE (WVdc)		CURRENT IDC	MINIMUM NO LOAD INSERTION LOSS (dB) AT 25°C PER MIL-STD -220			
	85°C	125°C		10 MHz	100 MHz	1 GHz	10 GHz
1500	350	200	10 A	5	45	70	70

<b>REVISION RECORD</b> Original Release <b>C.O. 4668</b> RDN TO COMP FMT. S.M. 05-09-00 <b>2000508-3-01</b> ADDED NOTES. S.M. 05-29-05 <b>20050727-2-02</b>	<b>0</b>	 -- TOLERANCES -- Unless Otherwise Specified 2 Place Decimal 3 Place Decimal .031 Angles	<b>Title</b> <b>BUSHING STYLE EMI FILTER</b>	
			Drawn S.M. 05-09-00	
			Approved T.C. 05-09-00	
	<b>A</b>		<b>4209-003</b>	

X-2015 Rev-0

## X-ON Electronics

Largest Supplier of Electrical and Electronic Components

*Click to view similar products for [EMI Feedthrough Filters](#) category:*

*Click to view products by [CTS](#) manufacturer:*

Other Similar products are found below :

[FN7611-63-M6](#) [FN7612-10-M3](#) [FN7660-100-M8](#) [1202F-054](#) [1609991-8](#) [1609992-2](#) [16DFC6-C](#) [16FFD6-HE](#) [2-1609992-2](#) [2443-007-X5S0-102MLF](#) [2443-007-X5W0-502ZLF](#) [2463-001-X5S0-471MLF](#) [1609990-8](#) [1609991-3](#) [1609992-1](#) [1609992-3](#) [1609993-1](#) [1609993-7](#) [200AFC6-P](#) [200DFC6-P](#) [FN7510-100-M8](#) [FN7510-32-M4](#) [FN7562-100-M8](#) [FN7562-200-M10](#) [FN7563-100-M8](#) [FN7611-10-M3](#) [FN7612-63-M6](#) [FN7661-16-M4](#) [2450-001-X5U0-102PLF](#) [2499-003-X5S0-152MLF](#) [32AFC6-H](#) [4100-000LF](#) [4201-050LF](#) [4204-001LF](#) [4253-002LF](#) [4306-019LF](#) [4101-004LF](#) [4201-003LF](#) [4208-000LF](#) [4600-067](#) [094-6526-0000](#) [100AFC6-G](#) [10AFC6-B](#) [10DFC6-C](#) [1-1609990-3](#) [1-1609990-7](#) [1-1609992-8](#) [1-1609990-1](#) [1-1609991-1](#) [FN7514-32-M4](#)