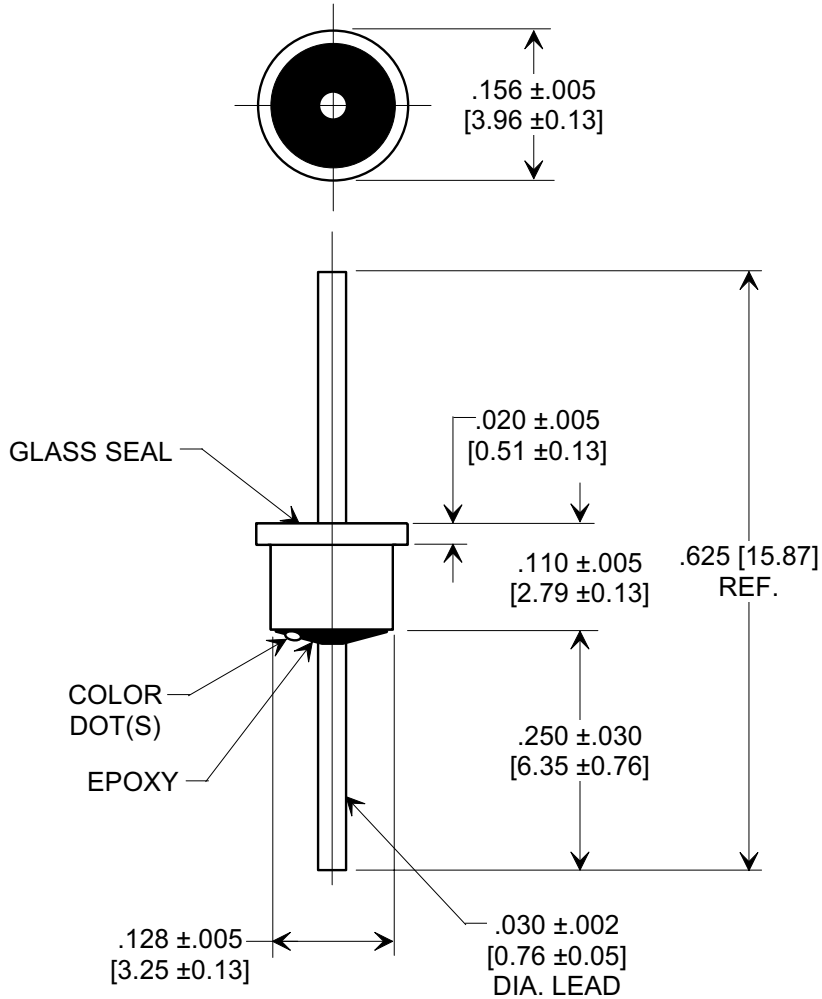
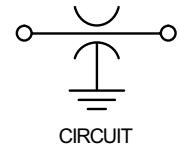
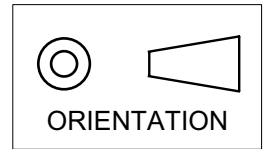


**MARKETING SALES DRAWING**  
 DIMENSIONS IN INCHES - DO NOT SCALE THIS DRAWING  
 DIMENSIONS IN METRIC - [ ]

Electrical Testing  
 per Tusonix standard  
 test plans and Mil-Std-202  
 Test Methods.



**NOTES:**

- Operating temperature range:  $-55^{\circ}\text{C}$  to  $+125^{\circ}\text{C}$ .
- Gold plated case and lead.
- Epoxy sealed on opposite end from glass seal.
- Max. recommended soldering temperature:  $260^{\circ}\text{C}$ .  
See installation recommendations.
- Recommended mounting hole:  $.135$  [3.43] dia.
- Solder preform available for mounting.
- Tusonix Standard part number: 4300-034.  
Tusonix RoHS compliant part number: 4300-034 LF.  
Customer must specify Standard or RoHS part number when ordering.
- RoHS compliant part marked with additional dark green dot for identification.

| Cx (pF) | TOL. | DC WORKING VOLTAGE |       | DC CURRENT (AMPS) | DWV (VDC) | I.R. MIN. @ 100 (VDC.) | MIN. NO LOAD INSERTION LOSS (dB) @ 25° C PER MIL-STD-220 |        |         |      |        | COLOR CODE |
|---------|------|--------------------|-------|-------------------|-----------|------------------------|--|--------|---------|------|--------|------------|
|         |      | 85°C               | 125°C |                   |           |                        | 1 MHz  | 10 MHz | 100 MHz | 1GHz | 10 GHz |            |
| 50,000  | GMV  | 50                 | 50    | 5                 | 100       | 10 G                   | 15   | 35     | 45      | 70   | ---    | BLUE--BLUE |

|   |                         |   |                                |  |  |
|---|-------------------------|---|--------------------------------|--|--|
| REVISION RECORD<br>Original Release<br>C.O. 20020604-1-01<br>ADDED NOTES 7 & 8.<br>S.M. 05-23-05<br>20050511-2-32 | 0                       | --TOLERANCES--<br>Unless Otherwise Specified<br><br>DECIMAL ± NOTED<br><br>ANGLES ± | Title                          |  |  |
|   | 1                       |   | <b>SOLDER MOUNT EMI FILTER</b> |  |  |
|   | Drawn L.E. 06-04-02     |   | Scale 5 X                      |  |  |
|   | Approved B.Mc. 06-04-02 |   | <b>A</b> <b>4300-034</b>       |  |  |

X-2015 Rev-0

**TUSONIX**  
TUCSON, ARIZONA

## X-ON Electronics

Largest Supplier of Electrical and Electronic Components

*Click to view similar products for [EMI Feedthrough Filters](#) category:*

*Click to view products by [CTS](#) manufacturer:*

Other Similar products are found below :

[FN7611-63-M6](#) [FN7612-10-M3](#) [FN7660-100-M8](#) [1202F-054](#) [1609991-8](#) [1609992-2](#) [16DFC6-C](#) [16FFD6-HE](#) [2-1609992-2](#) [2443-007-X5S0-102MLF](#) [2443-007-X5W0-502ZLF](#) [2463-001-X5S0-471MLF](#) [1609990-8](#) [1609991-3](#) [1609992-1](#) [1609992-3](#) [1609993-1](#) [1609993-7](#)  
[200AFC6-P](#) [200DFC6-P](#) [FN7510-100-M8](#) [FN7510-32-M4](#) [FN7562-100-M8](#) [FN7562-200-M10](#) [FN7563-100-M8](#) [FN7611-10-M3](#) [FN7612-63-M6](#) [FN7661-16-M4](#) [2450-001-X5U0-102PLF](#) [2499-003-X5S0-152MLF](#) [32AFC6-H](#) [4100-000LF](#) [4201-050LF](#) [4204-001LF](#) [4253-002LF](#)  
[4306-019LF](#) [4101-004LF](#) [4201-003LF](#) [4208-000LF](#) [4600-067](#) [094-6526-0000](#) [100AFC6-G](#) [10AFC6-B](#) [10DFC6-C](#) [1-1609990-3](#) [1-1609990-7](#) [1-1609992-8](#) [1-1609990-1](#) [1-1609991-1](#) [FN7514-32-M4](#)