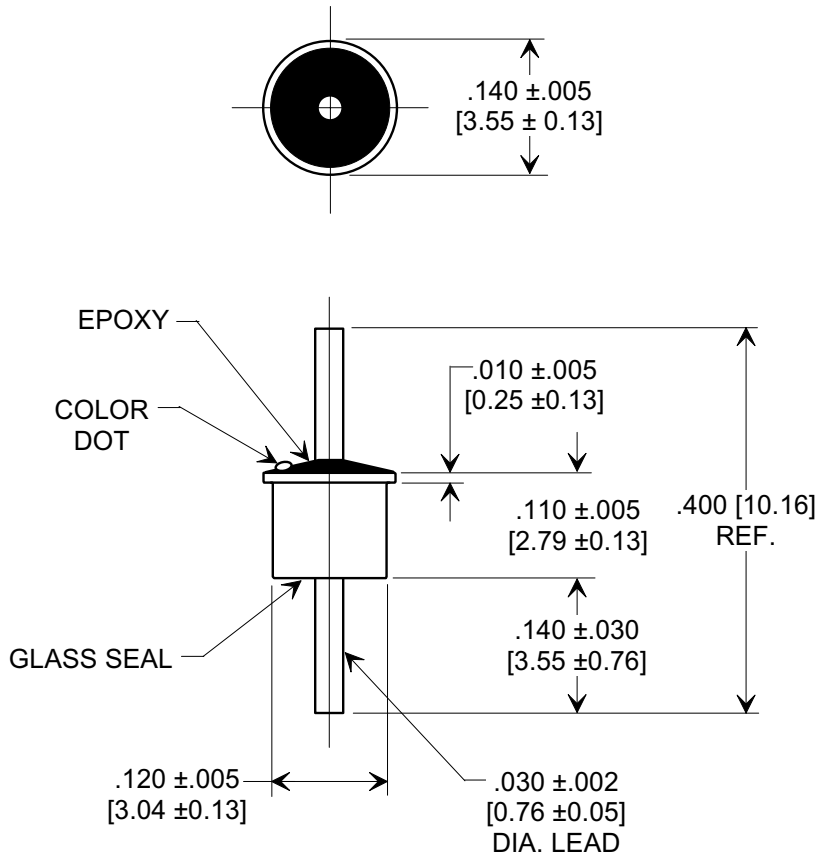
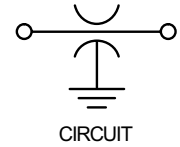
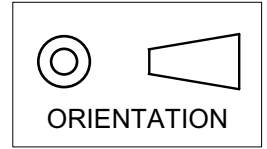


MARKETING SALES DRAWING
 DIMENSIONS IN INCHES - DO NOT SCALE THIS DRAWING
 DIMENSIONS IN METRIC - []

Electrical Testing
 per Tusonix standard
 test plans and Mil-Std-202
 Test Methods.



NOTES:

1. Operating temperature range: -55°C to +125°C.
2. Gold plated case and lead.
3. Epoxy sealed on opposite end from glass seal.
4. Max. recommended soldering temperature: 260°C.
See installation recommendations.
5. Tusonix Standard part number: 4305-003.
Tusonix RoHS compliant part number: 4305-003 LF.
Customer must specify Standard or RoHS part number when ordering.
6. RoHS compliant part marked with additional dark green dot for identification.

| Cx (pF) | TOL. | DC WORKING VOLTAGE | | DC CURRENT (AMPS) | I.R. MIN. | D.W.V. | MIN. NO LOAD INSERTION LOSS (dB) @ 25° C PER MIL-STD-220 | | | | | COLOR CODE |
|---------|--------------|--------------------|-------|-------------------|-----------|---------|---|--------|---------|------|--------|------------|
| | | 85°C | 125°C | | | | 1 MHz | 10 MHz | 100 MHz | 1GHz | 10 GHz | |
| 2700 | -0% +100% | 150 | 100 | 5 | 10 G | 250 VDC | --- | 10 | 25 | 40 | 50 | RED |

X-2015 Rev-0

| | | |
|------------------------|---|---|
| REVISION RECORD | Original Release | 0 |
| | C.O. 20030110-5-09 | 1 |
| | TOL. WAS GMV. S.M. 03-05-03 | 2 |
| | 20030305-1-06 ADDED NOTES 5 & 6. S.M. 05-31-05 20050513-4-52 | |

| | | |
|--|--|---|
| --TOLERANCES-- Unless Otherwise Specified | | Title SOLDER MOUNT EMI FILTER |
| DECIMAL ± | | |
| ANGLES ± | | |
| TUSONIX TUCSON, ARIZONA | | Drawn S.M. 01-28-03 Scale 5 X |
| | | Approved T.C. 01-28-03 |
| | | A 4305-003 |

X-ON Electronics

Largest Supplier of Electrical and Electronic Components

Click to view similar products for [EMI Feedthrough Filters](#) category:

Click to view products by [CTS](#) manufacturer:

Other Similar products are found below :

[FN7611-63-M6](#) [FN7612-10-M3](#) [FN7660-100-M8](#) [1202F-054](#) [1609991-8](#) [1609992-2](#) [16DFC6-C](#) [16FFD6-HE](#) [2-1609992-2](#) [2443-007-X5S0-102MLF](#) [2443-007-X5W0-502ZLF](#) [2463-001-X5S0-471MLF](#) [1609990-8](#) [1609991-3](#) [1609992-1](#) [1609992-3](#) [1609993-1](#) [1609993-7](#)
[200AFC6-P](#) [200DFC6-P](#) [FN7510-100-M8](#) [FN7510-32-M4](#) [FN7562-100-M8](#) [FN7562-200-M10](#) [FN7563-100-M8](#) [FN7611-10-M3](#) [FN7612-63-M6](#) [FN7661-16-M4](#) [2450-001-X5U0-102PLF](#) [2499-003-X5S0-152MLF](#) [32AFC6-H](#) [4100-000LF](#) [4201-050LF](#) [4204-001LF](#) [4253-002LF](#)
[4306-019LF](#) [4101-004LF](#) [4201-003LF](#) [4208-000LF](#) [4600-067](#) [094-6526-0000](#) [100AFC6-G](#) [10AFC6-B](#) [10DFC6-C](#) [1-1609990-3](#) [1-1609990-7](#) [1-1609992-8](#) [1-1609990-1](#) [1-1609991-1](#) [FN7514-32-M4](#)