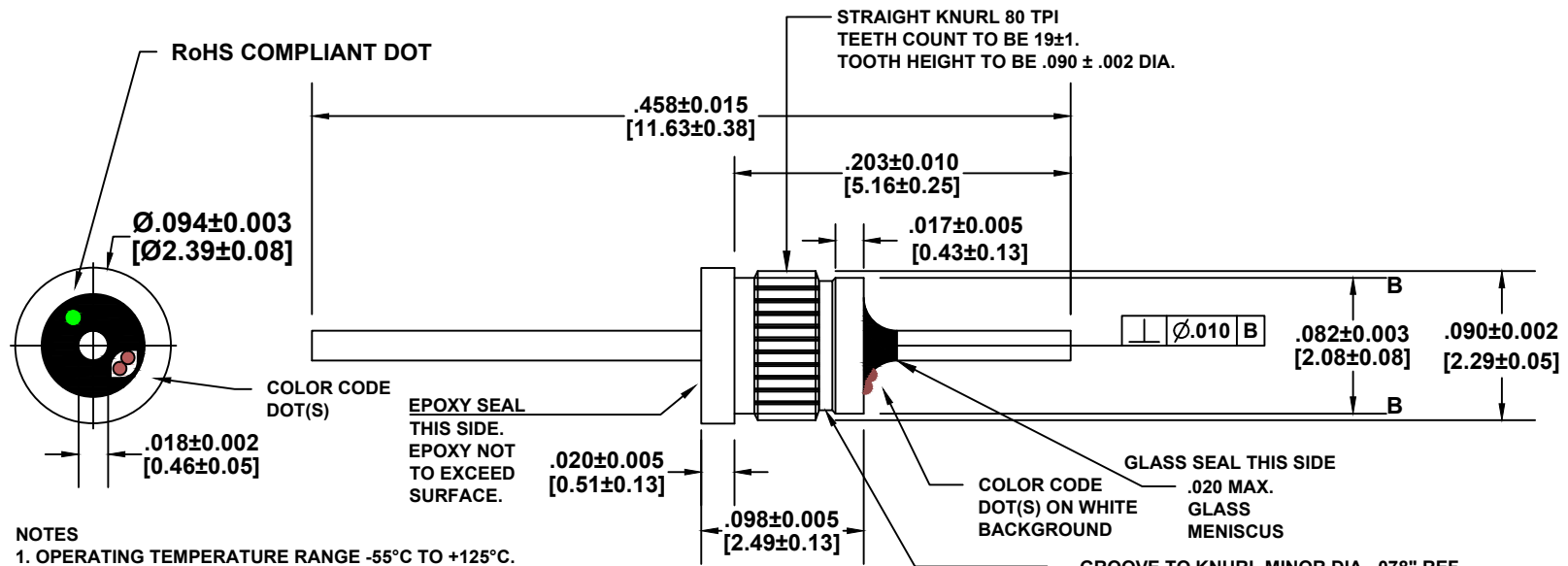


DATA SHEET DRAWING

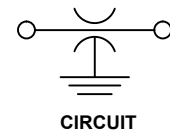
This drawing is the property of Tusonix, Inc., and may not be used, reproduced, published or disclosed to others without expressed authorization by Tusonix Inc.

Electrical testing per Tusonix standard test plans and MIL-Std-202 test methods.



NOTES

1. OPERATING TEMPERATURE RANGE -55°C TO +125°C.
2. GOLD PLATED CASE AND LEAD.
3. EPOXY SEALED ON THE OPPOSITE END FROM THE GLASS SEAL.
4. PROPER INSTALLATION REQUIRES FIRM STEADY PRESSURE UNTIL FLANGE IS FULLY SEATED.
5. RECOMMENDED MOUNTING HOLE: $.085 \pm .001$ [2.18 ± 0.01]
6. END OF LEAD INDICATED TO BE FREE OF BURRS.
7. TUSONIX NON-RoHS COMPLIANT PART NUMBER: 4310-014.
TUSONIX RoHS COMPLIANT PART NUMBER: 4310-014LF.
CUSTOMER MUST SPECIFY NON-RoHS OR RoHS PART NUMBER WHEN ORDERING.
8. COLOR CODE: BROWN/BROWN ON WHITE BACKGROUND. RoHS COMPLIANT PART MARKED WITH ADDITIONAL GREEN DOT FOR IDENTIFICATION.



Cx (pF)	TOL.	DC WORKING VOLTAGE		I _{DC}	I.R. MIN @ 100 VDC	DWV
50	+100% -0%	85°C 150	125°C 100	1A	10 G Ω	250 VDC
TYPICAL NO LOAD INSERTION LOSS (dB) @ 25°C PER MIL-STD-220						
10 MHz		100 MHz	1 GHz	10 GHz		
-----		-----	10	25		

DIMENSIONS:
ENGLISH UNITS - INCHES
METRIC UNITS - [mm]

ORIENTATION

TUSONIX
A Subsidiary of CTS Electronic Components
TUCSON, ARIZONA

Title **MINIATURE PRESS-IN EMI FILTER**

**--TOLERANCES--
Unless Otherwise Specified**

Dwn R.C. 12-02-15 Ckd R.C. 12-02-15

Material **SEE NOTES** Scale: NOT TO SCALE

REVISION RECORD

REV	DATE	CHG BY	CHANGE	REV	DATE	CHG BY	CHANGE	REV	DATE	CHG BY	CHANGE
A	12-02-15	R.C.	ORIGINAL RELEASE								
B	09-20-18	R.C.	MODIFIED COLOR DOT PLACEMENT, NOTE 5 HOLE DIM., ADDED EPOXY FILL NOTE.								

2 Place Decimal ± .01
3 Place Decimal ± .005
Angles ± 5°

Sheet 1 of 1

A 4310-014

X-ON Electronics

Largest Supplier of Electrical and Electronic Components

Click to view similar products for [EMI Feedthrough Filters](#) category:

Click to view products by [CTS](#) manufacturer:

Other Similar products are found below :

[FN7611-63-M6](#) [FN7612-10-M3](#) [FN7660-100-M8](#) [1202F-054](#) [1609991-8](#) [1609992-2](#) [16DFC6-C](#) [16FFD6-HE](#) [2-1609992-2](#) [2443-007-X5S0-102MLF](#) [2443-007-X5W0-502ZLF](#) [2463-001-X5S0-471MLF](#) [1609990-8](#) [1609991-3](#) [1609992-1](#) [1609992-3](#) [1609993-1](#) [1609993-7](#) [200AFC6-P](#) [200DFC6-P](#) [FN7510-100-M8](#) [FN7510-32-M4](#) [FN7562-100-M8](#) [FN7562-200-M10](#) [FN7563-100-M8](#) [FN7611-10-M3](#) [FN7612-63-M6](#) [FN7661-16-M4](#) [2450-001-X5U0-102PLF](#) [2499-003-X5S0-152MLF](#) [32AFC6-H](#) [4100-000LF](#) [4201-050LF](#) [4204-001LF](#) [4253-002LF](#) [4306-019LF](#) [4101-004LF](#) [4201-003LF](#) [4208-000LF](#) [4600-067](#) [094-6526-0000](#) [100AFC6-G](#) [10AFC6-B](#) [10DFC6-C](#) [1-1609990-3](#) [1-1609990-7](#) [1-1609992-8](#) [1-1609990-1](#) [1-1609991-1](#) [FN7514-32-M4](#)