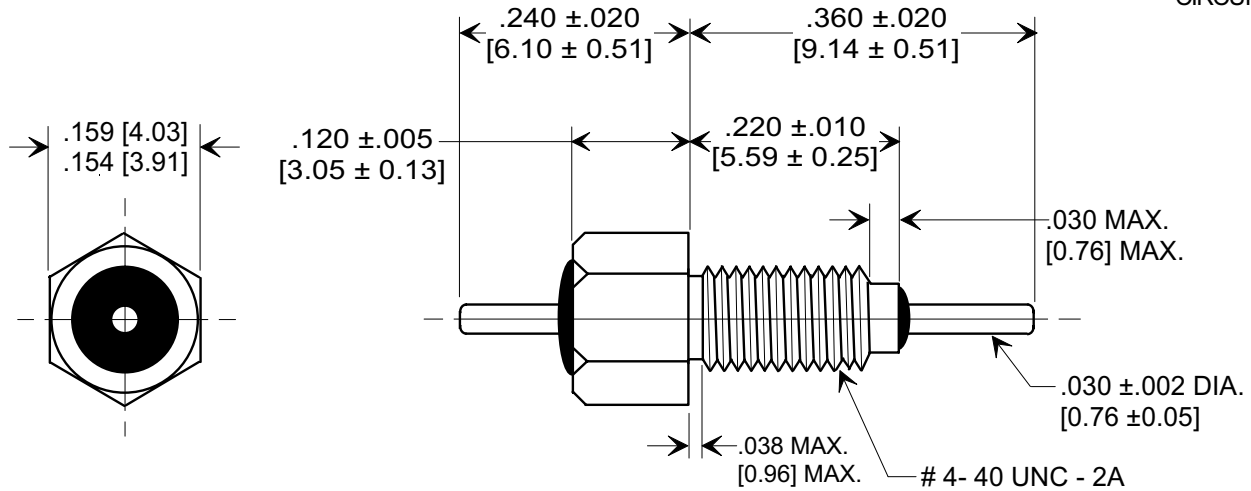
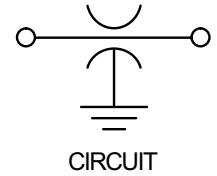
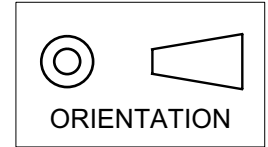


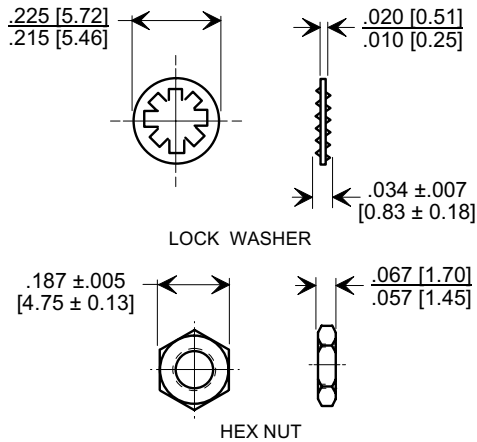
MARKETING SALES DRAWING

Electrical Testing
per Tusonix standard
test plans and Mil-Std-202
Test Methods.

DIMENSIONS IN INCHES - DO NOT SCALE THIS DRAWING
DIMENSIONS IN METRIC - []



MOUNTING HARDWARE



Notes:

1. Operating temperature range : -55°C to +125°C.
2. Silver plated case, lead and mounting hardware.
3. Max.recommended mounting torque : 2.0 lb. - in.
4. Max. recommended soldering temperature : 260°C.
See installation recommendations.
5. Nut and lock washer included.
6. Tusonix Standard part number: 4400-034.
Tusonix RoHS compliant part number: 4400-034 LF.
Customer must specify Standard or RoHS part number when ordering.
7. Part Marking: Trademark and Variation on flats: Standard Part, Black Ink. RoHS Part, green ink for identification.

CAP.(pf)	TOLERANCE	DC WORKING VOLTAGE		I.R. MIN. @ 100 (VDC.)	DWV (VDC)	DC CURRENT (AMPS)	MIN. NO LOAD INSERTION LOSS (dB) @ 25°C PER MIL-STD-220				
		85°C	125°C				1 MHz	10 MHz	100 MHz	1 GHz	10 GHz
5000	GMV	150	100	10 G	250	10	----	15	30	45	55

X-2015 Rev-0	REVISION RECORD				TUSONIX TUCSON, ARIZONA	--TOLERANCES-- Unless Otherwise Specified		Title	
	Original Release C.O. 20011102-1-02	0				DECIMAL ± NOTED		BUSHING STYLE EMI FILTER	
	VARS 035,036,037 & 1MHZ COLUMN ADDED. L.E. 11-07-90	1	RDN TO COMP FMT & ADDED METRIC. S.M. 11-08-01			ANGLES ±			
	5591	2	REVISED DWG. DRAWING MADE FOR EACH VAR. S.M. 11-19-02					Approved B.Mc. 11-08-01	
	3	20021113-1-05 REVISED NOTE 6 AND ADDED NOTE 7. S.M. 07-25-05				A			
	4	20050714-4-02						4400-034	

X-ON Electronics

Largest Supplier of Electrical and Electronic Components

Click to view similar products for [EMI Feedthrough Filters](#) category:

Click to view products by [CTS](#) manufacturer:

Other Similar products are found below :

[FN7611-63-M6](#) [FN7612-10-M3](#) [FN7660-100-M8](#) [1202F-054](#) [1609991-8](#) [1609992-2](#) [16DFC6-C](#) [16FFD6-HE](#) [2-1609992-2](#) [2443-007-X5S0-102MLF](#) [2443-007-X5W0-502ZLF](#) [2463-001-X5S0-471MLF](#) [1609990-8](#) [1609991-3](#) [1609992-1](#) [1609992-3](#) [1609993-1](#) [1609993-7](#)
[200AFC6-P](#) [200DFC6-P](#) [FN7510-100-M8](#) [FN7510-32-M4](#) [FN7562-100-M8](#) [FN7562-200-M10](#) [FN7563-100-M8](#) [FN7611-10-M3](#) [FN7612-63-M6](#) [FN7661-16-M4](#) [2450-001-X5U0-102PLF](#) [2499-003-X5S0-152MLF](#) [32AFC6-H](#) [4100-000LF](#) [4201-050LF](#) [4204-001LF](#) [4253-002LF](#)
[4306-019LF](#) [4101-004LF](#) [4201-003LF](#) [4208-000LF](#) [4600-067](#) [094-6526-0000](#) [100AFC6-G](#) [10AFC6-B](#) [10DFC6-C](#) [1-1609990-3](#) [1-1609990-7](#) [1-1609992-8](#) [1-1609990-1](#) [1-1609991-1](#) [FN7514-32-M4](#)