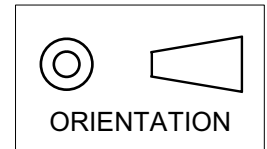
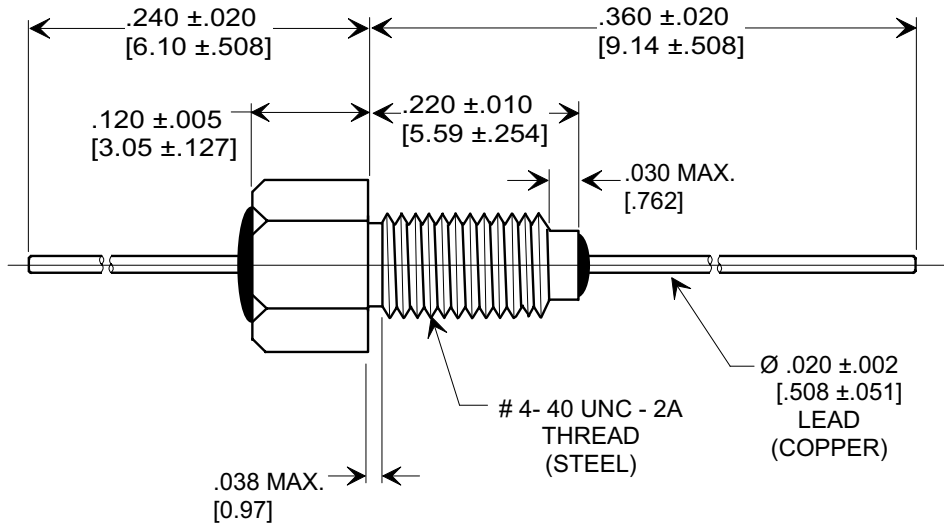
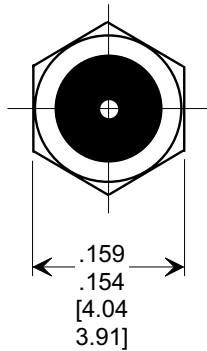
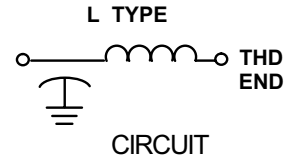


This drawing is the property of Tusonix, Inc., and may not be used, reproduced, published or disclosed to others without expressed authorization by Tusonix Inc.

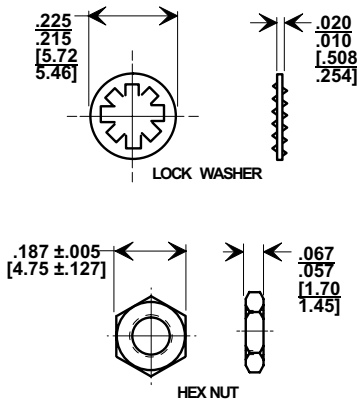
**MARKETING SALES DRAWING**  
**DIMENSIONS IN INCHES - DO NOT SCALE THIS DRAWING**  
**DIMENSIONS IN METRIC - [ ]**



**Electrical Testing**  
**per Tusonix standard**  
**test plans and Mil-Std-202**  
**Test Methods.**



**MOUNTING HARDWARE**



**NOTES:**

1. TUSONIX STANDARD PART NUMBER: 4400-057.  
 TUSONIX RoHS COMPLIANT PART NUMBER: 4400-057 LF.  
 CUSTOMER MUST SPECIFY STANDARD OR RoHS PART NUMBER WHEN ORDERING.
2. MATERIALS: SILVER PLATED BUSHING, LEAD, AND MOUNTING HARDWARE.
3. PART MARKING: TRADEMARK AND VARIATION NUMBER ON HEX FLATS.  
 STANDARD PART: BLACK INK. RoHS PART: GREEN INK.
4. OPERATING TEMPERATURE RANGE: -55°C TO +125°C.
5. MAXIMUM RECOMMENDED SOLDERING TEMPERATURE: 260°C.
6. SUPPLIED WITH HEX NUT AND INTERNAL TOOTH LOCK WASHER.
7. MAXIMUM RECOMMENDED MOUNTING TORQUE, 2.0 lb-in [.226 Nm].

CAP.(pf)	TOLERANCE	WORKING VOLTAGE		CURRENT (ADC)	I.R. MIN. @ 100 (VDC.)	DWV 2 SEC. MIN.	MIN. NO LOAD INSERTION LOSS (dB) @ 25°C PER MIL-STD-220				
		85°C	125°C				1 MHz	10 MHz	100 MHz	1 GHz	10 GHz
50,000	GMV	50	50	10	10 G Ω	100 VDC	15	35	52	70	---

X-2015 Rev-0	<b>REVISION RECORD</b>	
	Original Release C.O. <b>20041013-1-01</b>	<b>0</b>
	ADDED AND REVISED NOTES. S.M. 01-24-06	
	<b>20060109-3-04</b>	<b>1</b>

--TOLERANCES-- Unless Otherwise Specified	
DECIMAL ±	NOTED
ANGLES ±	
<b>TUSONIX</b> TUCSON, ARIZONA	

Title <b>BUSHING STYLE EMI FILTER</b>	
Drawn	L.E. 10-13-04
Approved	B.Mc. 10-13-04
<b>A</b>	<b>4400-057</b>

## X-ON Electronics

Largest Supplier of Electrical and Electronic Components

*Click to view similar products for [EMI Feedthrough Filters](#) category:*

*Click to view products by [CTS](#) manufacturer:*

Other Similar products are found below :

[FN7611-63-M6](#) [FN7612-10-M3](#) [FN7660-100-M8](#) [1202F-054](#) [1609991-8](#) [1609992-2](#) [16DFC6-C](#) [16FFD6-HE](#) [2-1609992-2](#) [2443-007-X5S0-102MLF](#) [2443-007-X5W0-502ZLF](#) [2463-001-X5S0-471MLF](#) [1609990-8](#) [1609991-3](#) [1609992-1](#) [1609992-3](#) [1609993-1](#) [1609993-7](#)  
[200AFC6-P](#) [200DFC6-P](#) [FN7510-100-M8](#) [FN7510-32-M4](#) [FN7562-100-M8](#) [FN7562-200-M10](#) [FN7563-100-M8](#) [FN7611-10-M3](#) [FN7612-63-M6](#) [FN7661-16-M4](#) [2450-001-X5U0-102PLF](#) [2499-003-X5S0-152MLF](#) [32AFC6-H](#) [4100-000LF](#) [4201-050LF](#) [4204-001LF](#) [4253-002LF](#)  
[4306-019LF](#) [4101-004LF](#) [4201-003LF](#) [4208-000LF](#) [4600-067](#) [094-6526-0000](#) [100AFC6-G](#) [10AFC6-B](#) [10DFC6-C](#) [1-1609990-3](#) [1-1609990-7](#) [1-1609992-8](#) [1-1609990-1](#) [1-1609991-1](#) [FN7514-32-M4](#)