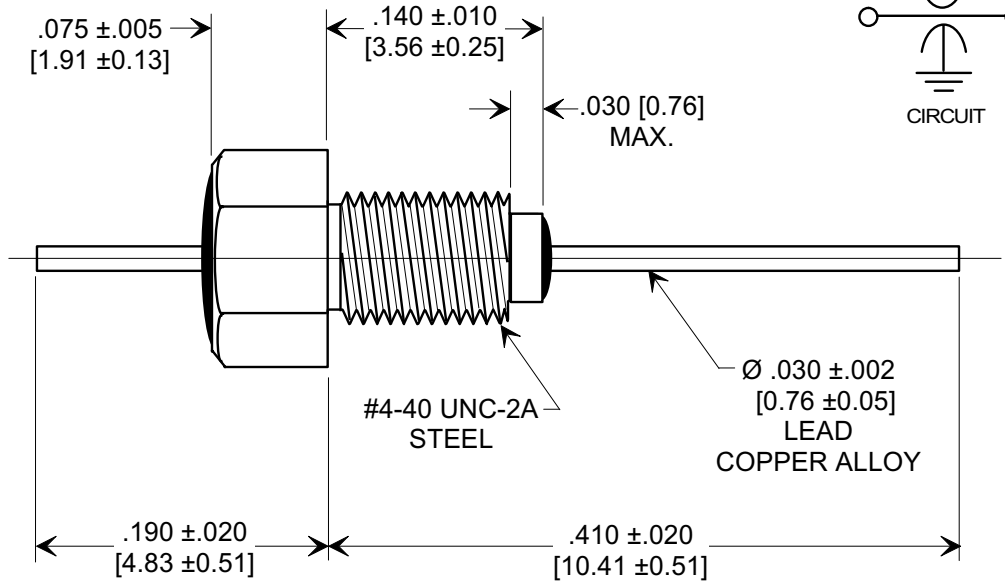
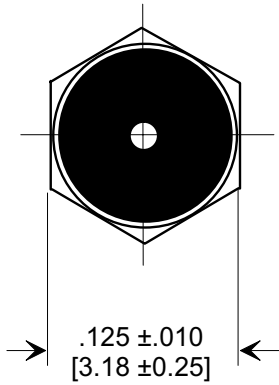
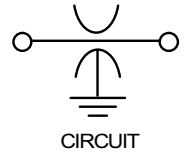
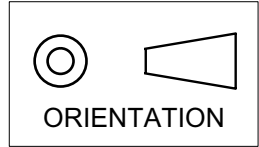


**MARKETING SALES DRAWING**

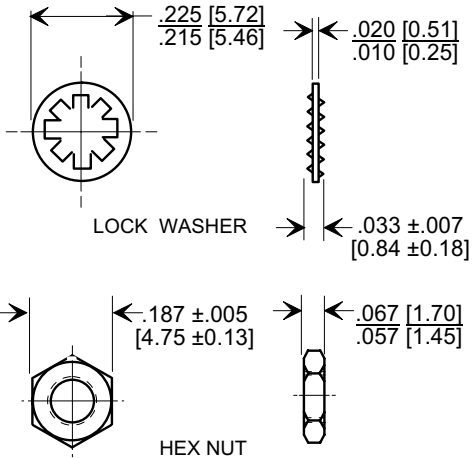
**DIMENSIONS IN INCHES - DO NOT SCALE THIS DRAWING**  
**DIMENSIONS IN METRIC - [ ]**

This drawing is the property of Tusonix, Inc., and may not be used, reproduced, published or disclosed to others without expressed authorization by Tusonix Inc.

**Electrical Testing per Tusonix standard test plans and Mil-Std-202 Test Methods.**



**MOUNTING HARDWARE**



**NOTES:**

1. OPERATING TEMPERATURE RANGE: -55°C TO +125°C.
2. SILVER PLATED CASE, LEAD AND MOUNTING HARDWARE.
3. MAX. RECOMMENDED MOUNTING TORQUE : 2.0 lb. - in.
4. MAX. RECOMMENDED SOLDERING TEMPERATURE : 260°C. SEE INSTALLATION RECOMMENDATIONS.
5. NUT AND LOCK WASHER INCLUDED.
6. TUSONIX STANDARD PART NUMBER: 4403-040. TUSONIX RoHS COMPLIANT PART NUMBER: 4403-040 LF. CUSTOMER MUST SPECIFY STANDARD OR RoHS PART NUMBER WHEN ORDERING.
7. PART MARKING: TRADEMARK AND VARIATION NUMBER ON HEX FLATS. STANDARD PART: BLACK INK. RoHS PART: GREEN INK.

27,000	GMV	70	50	10	10	28	42	65	65
CAP.(pf)	TOLERANCE	+85 °C	+125 °C	DC CURRENT (AMPS)	1 MHz	10 MHz	100 MHz	1 GHz	10 GHz
		DC WORKING VOLTAGE							

<b>REVISION RECORD</b>	<b>0</b>	Original Release C.O. 6965	<b>1</b>	<b>2</b>	<b>3</b>	--TOLERANCES-- Unless Otherwise Specified	Title		
	<b>1</b>	-040 & -680 ADDED, DC WAS5. E.C. 11-20-92					<b>MINI BUSHING STYLE EMI FILTER</b>		
	<b>2</b>	RDN TO COMP FMT. S.M. 07-16-02					DECIMAL ± NOTED	Drawn S.M. 06-10-02	Scale 8 X
	<b>3</b>	20020715-1-28 ADDED AND REVISED NOTES. S.M. 06-07-06					ANGLES ± NOTED	Approved J.Mc. 06-10-02	
		20060605-7-02				<b>TUSONIX</b> TUCSON, ARIZONA	<b>A</b>	<b>4403-040</b>	

## X-ON Electronics

Largest Supplier of Electrical and Electronic Components

*Click to view similar products for [EMI Feedthrough Filters](#) category:*

*Click to view products by [CTS](#) manufacturer:*

Other Similar products are found below :

[FN7611-63-M6](#) [FN7612-10-M3](#) [FN7660-100-M8](#) [1202F-054](#) [1609991-8](#) [1609992-2](#) [16DFC6-C](#) [16FFD6-HE](#) [2-1609992-2](#) [2443-007-X5S0-102MLF](#) [2443-007-X5W0-502ZLF](#) [2463-001-X5S0-471MLF](#) [1609990-8](#) [1609991-3](#) [1609992-1](#) [1609992-3](#) [1609993-1](#) [1609993-7](#) [200AFC6-P](#) [200DFC6-P](#) [FN7510-100-M8](#) [FN7510-32-M4](#) [FN7562-100-M8](#) [FN7562-200-M10](#) [FN7563-100-M8](#) [FN7611-10-M3](#) [FN7612-63-M6](#) [FN7661-16-M4](#) [2450-001-X5U0-102PLF](#) [2499-003-X5S0-152MLF](#) [32AFC6-H](#) [4100-000LF](#) [4201-050LF](#) [4204-001LF](#) [4253-002LF](#) [4306-019LF](#) [4101-004LF](#) [4201-003LF](#) [4208-000LF](#) [4600-067](#) [094-6526-0000](#) [100AFC6-G](#) [10AFC6-B](#) [10DFC6-C](#) [1-1609990-3](#) [1-1609990-7](#) [1-1609992-8](#) [1-1609990-1](#) [1-1609991-1](#) [FN7514-32-M4](#)