

450 "STOCK POT" SERIES

Features

- Off the shelf availability
- Choice of linear or 10% logarithmic tapers
- Wide resistance range
- Available with three molded plug-in shaft styles: knurled & slotted, flatted or round.
- Economical in limited volume applications.



Electrical and Mechanical Specifications

Resistance Range

500 ohms through 500K ohms

Resistance Tolerance

± 20%

Power Rating, Watts

Through 10K ohms, 1/2 watt; above 10K ohms through 100K ohms, 1/3 watt; above 100K ohms, 1/4 watt

Voltage Rating:

Bushing to terminals:

High pot test, one minute - 1080 VAC

Shaft Information

Diameter: .250" (Dia. over knurl .240" - .246")

Angle of Rotation

Total Rotation: 300 degrees, ± 5%

Effective Rotation approximately 300 degrees

Bushing Information

Material: Diecast zinc

Diameter: EIA std. 3/8"-32 UNEF-2A thread

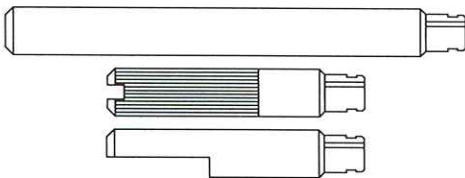
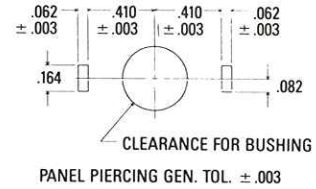
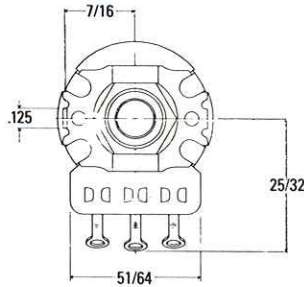
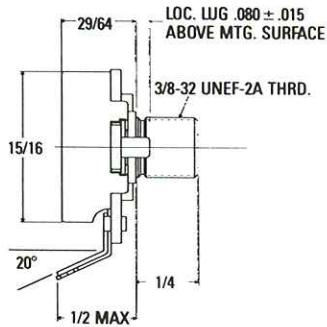
Length: 1/4" ± 1/64"

Terminal Information

Solder lug, formed to rear

Locating Lug

Left side, terminals down



Plug-In Shafts

Three popular shaft styles (8 choices) are available with trim selections including screwdriver slot (.023" wide x .062" deep), flat (.156" wide x 1/2" long) or full round. This wide selection generally eliminates the need for cutting or modification.

450 SERIES "STOCK-POT" STANDARD PART NUMBER

450 D103 KSD4

OHMS	LOG A TAPER OR	LINEAR D TAPER
500	--	D501
1K	A102	D102
2.5K	A252	D252
5K	A502	D502
10K	A103	D103
25K	A253	D253
50K	A503	D503
100K	A104	D104
250K	A254	D254
500K	A504	D504

SHAFT	SHAFT DETAIL	
	LENGTH FMS	TRIM
KSD4	1/2"	SD SLOT
KSD6	3/4"	SD SLOT
KSD7	7/8"	SD SLOT
KSD8	1"	SD SLOT
F8	1"	FLAT
PR16	2"	ROUND

X-ON Electronics

Largest Supplier of Electrical and Electronic Components

Click to view similar products for [cts manufacturer](#):

Other Similar products are found below :

[744C083333JP](#) [296UD504B1N](#) [407F11C012M0000](#) [262XR102B](#) [0538-011-F-15.0-60](#) [Z3A-22IB-3-BNL](#) [4306-033](#) [744C083102JP](#)
[206S0108](#) [CB3LV-3C-32M7680](#) [206-8LPS](#) [206S0097](#) [744C083222JP](#) [743C083103JP](#) [770101223](#) [026TB32R253B1A1](#) [CB3-3C-50M0000](#)
[ATS040SM-1](#) [APF30-30-13CB/A01](#) [MXO45HST-3C-16M0000](#) [ATS061C](#) [743C083104JP](#) [744C083472JP](#) [77083103P](#) [218-10LPSTRF](#)
[O7050147456MFDA4SC](#) [402WF20012IMR](#) [KFF6516A](#) [194-8MST](#) [742C083330JPTR](#) [750-101-R120](#) [766143221GP](#) [77061333P](#)
[403C35D12M00000](#) [CTS-1621](#) [284TBCF502A26A1](#) [766163560GP](#) [CB3-3I-20M0000](#) [4400-032](#) [ATS12ASM-1](#) [201XR104B](#) [770103101P](#)
[CA25C5003HLT](#) [209-2MSF](#) [6740-2015](#) [CB3-3C-1M5440](#) [T8031-5V](#) [767163104D](#) [PB1-36ND](#) [ATS049BSM-1E](#)