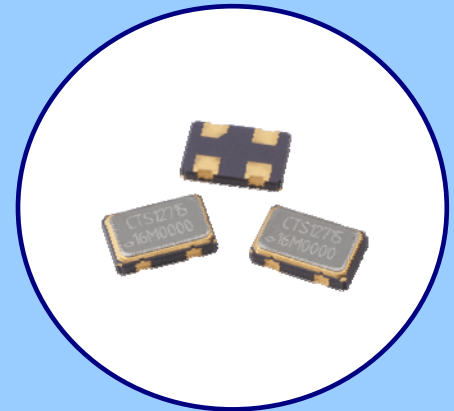




FEATURES

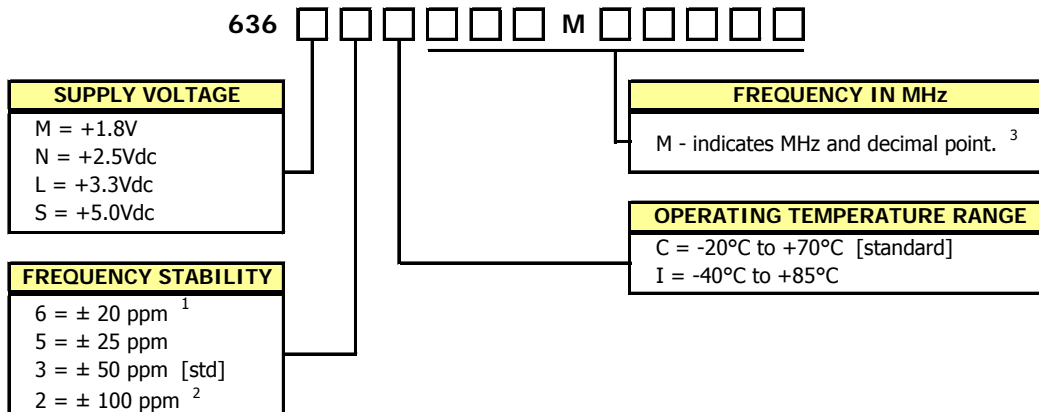
- Standard 5.0mm x 3.2mm 4-Pad Surface Mount Package
- HCMOS/TTL Compatible Output
- Fundamental and 3rd Overtone Crystal Designs
- Frequency Range 1 – 160 MHz
- Frequency Stability ± 50 ppm Standard, ± 25 ppm and ± 20 ppm Available
- Operating Voltages +1.8Vdc, +2.5Vdc, +3.3Vdc or +5.0Vdc
- Operating Temperature to -40°C to $+85^{\circ}\text{C}$
- Output Enable Standard
- Tape & Reel Packaging Standard, EIA-418
- **RoHS/Green Compliant [6/6]**



APPLICATIONS

Model 636 is ideal for applications; such as digital video, networking equipment, broadband access, Ethernet/Gigabit Ethernet, microprocessors/DSP/FPGA, storage area networks, computers and peripherals, cameras and other portable devices to name a few.

ORDERING INFORMATION



1] Consult factory for 6I Stability/Temperature availability.

2] -40°C to $+85^{\circ}\text{C}$ Only.

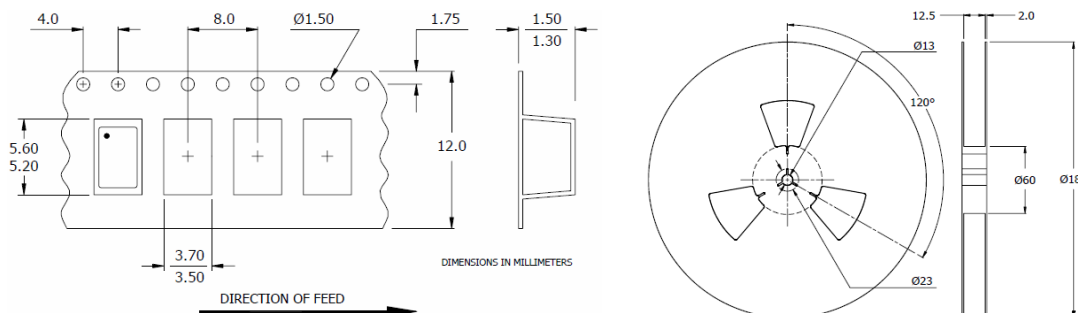
3] Frequency is recorded with three leading significant digits before the 'M' and 5 significant digits after the 'M' (including zeros).

[Ex. 3.579545 MHz, code as 003M57954; 14.31818 MHz, code as 014M31818; 125 MHz, code as 125M00000]

**Not all performance combinations and frequencies may be available.
Contact your local CTS Representative or CTS Customer Service for availability.**

PACKAGING INFORMATION [Reference]

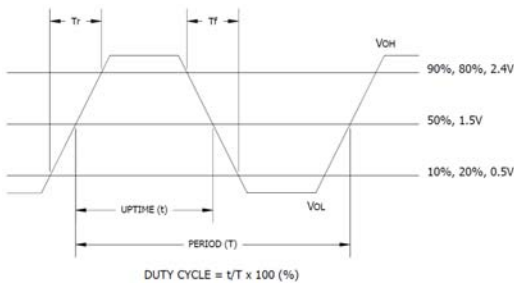
Factory may package reels in quantities of 1k pcs. or 3k pcs. Reel size is 180mm. **12mm tape width.**



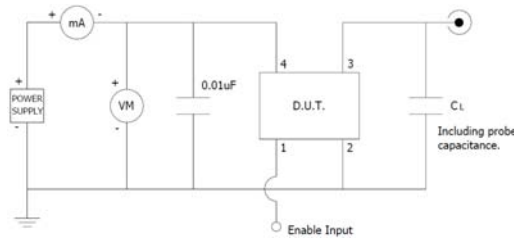
ELECTRICAL CHARACTERISTICS

	PARAMETER	SYMBOL	CONDITIONS	MIN	TYP	MAX	UNIT
ELECTRICAL PARAMETERS	Enable Function						
	Enable Input Voltage	V _{IH}	Pin 1 Logic '1', Output Enabled	1.26	-	-	V
	Model 636M		Pin 1 Logic '1', Output Enabled	1.75	-	-	
	Model 636N		Pin 1 Logic '1', Output Enabled	2.0	-	-	
	Model 636L		Pin 1 Logic '1', Output Enabled	4.0	-	-	
	Disable Input Voltage	V _{IL}	Pin 1 Logic '0', Output Disabled	-	-	0.3	
	Model 636M,636N,636L		Pin 1 Logic '0', Output Disabled	-	-	0.8	
Enable Time (M,N,L,S)	T _{PLZ}	Pin 1 Logic '1'	-	-	10	ms	
Standby Current	I _{ST}	Pin 1 Logic '0', Output Disabled	-	-	10	µA	

LVC MOS OUTPUT WAVEFORM



TEST CIRCUIT, CMOS LOAD

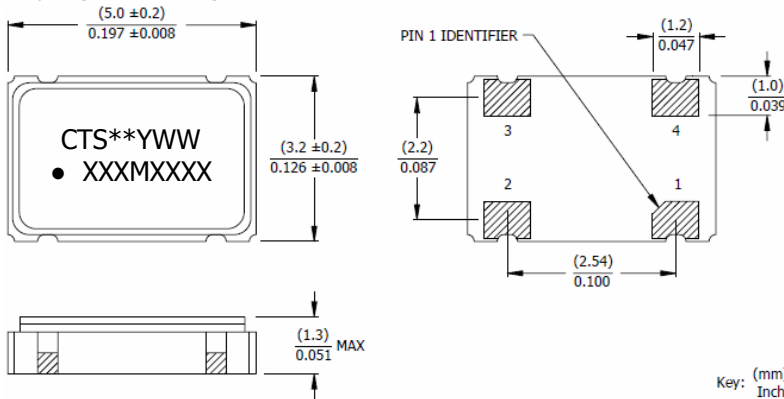


ENABLE TRUTH TABLE

PIN 1	PIN 3
Logic '1'	Output
Open	Output
Logic '0'	High Imp.

MECHANICAL SPECIFICATIONS

PACKAGE DRAWING



MARKING INFORMATION

- ** - Manufacturing Site Code.
- YWW - Date code, Y - year, WW - week.
- XXXMXXXX - Frequency is marked with only leading significant digits before the 'M' and 4 digits after the 'M' [including zeros].
Ex. XXXMXXXX [62M5000]
XXXMXXXX [155M5200]

NOTES

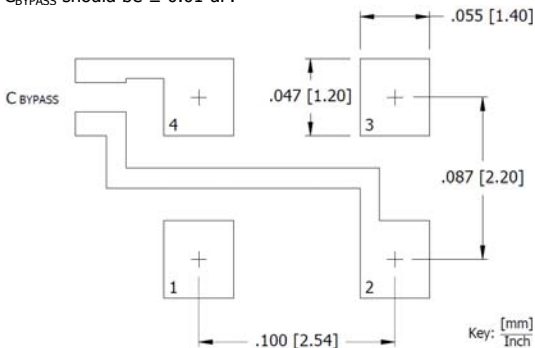
- Termination pads [e4]. Barrier-plating is nickel [Ni] with gold [Au] flash plate.
- Reflow conditions per JEDEC J-STD-020, 260°C maximum, 20 seconds.
- MSL = 1.

D.U.T. PIN ASSIGNMENTS

PIN	SYMBOL	DESCRIPTION
1	EOH	Enable
2	GND	Circuit & Package Ground
3	Output	RF Output
4	V _{CC}	Supply Voltage

SUGGESTED SOLDER PAD GEOMETRY

C_{BYPASS} should be ≥ 0.01 µF.



X-ON Electronics

Largest Supplier of Electrical and Electronic Components

Click to view similar products for [Standard Clock Oscillators](#) category:

Click to view products by [CTS](#) manufacturer:

Other Similar products are found below :

[601252](#) [F335-25](#) [F535L-33.333](#) [F535L-50](#) [NBXHBA019LN1TAG](#) [SiT1602BI-22-33E-50.000000E](#) [SIT8918AA-11-33S-50.000000G](#)
[SM4420TEV-40.0M-T1K](#) [F335-24](#) [F335-40](#) [F535L-10](#) [F535L-12](#) [F535L-24](#) [F535L-27](#) [PE7744DW-100.0M](#) [ASF1-3.686MHZ-N-K-S](#) [ASV-](#)
[4.000MHZ-LCS-T](#) [XLH735025.000JU4I8](#) [XLP725125.000JU6I8](#) [XO57CTECNA3M6864](#) [601251](#) [SiT8503AI-18-33E-0.200000X](#)
[SIT8918AA-11-33S-16.000000G](#) [SIT9122AI2C233E300.000000X](#) [9120AC-2D2-33E212.500000](#) [9102AI-243N25E100.00000](#) [8208AC-82-](#)
[18E-25.00000](#) [8008AI-72-XXE-24.545454E](#) [8004AC-13-33E-133.33000X](#) [AS-4.9152-16-SMD-TR](#) [ASFL1-48.000MHZ-LC-T](#)
[632L3I004M00000](#) [SIT8920AM-31-33E-25.0000](#) [DSC1028DI2-019.2000](#) [9121AC-2C3-25E100.00000](#) [9102AI-233N33E100.00000X](#)
[9102AI-233N25E200.00000](#) [9102AI-232H25S125.00000](#) [9102AI-133N25E200.00000](#) [9102AC-283N25E200.00000](#) [9001AC-33-33E1-30.000](#)
[8103AC-13-33E-12.00000X](#) [3921AI-2CF-33NZ125.000000](#) [5730-1SF](#) [XUN736000.032768I](#) [ASV-25.000MHZ-ECS-50-T](#) [EC3925ETTTS-](#)
[100.000M TR](#) [SIT1602BC-83-33E-10.000000Y](#) [8003AI-12-33S-40.00000Y](#) [1602BI-13-33S-19.200000E](#)