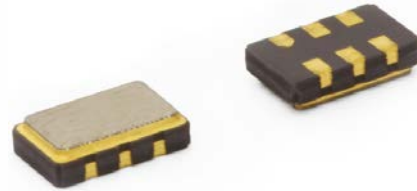


# Model 655

## Ultra Low Jitter LVPECL or LVDS Clock

### Features

- Ceramic Surface Mount Package
- Ultra Low Phase Jitter Performance, 100fs Typical
- Fundamental or 3<sup>rd</sup> Overtone Crystal Design
- Frequency Range 80 – 170MHz \*
- +2.5V or +3.3V Operation
- Output Enable Standard
- Tape and Reel Packaging, EIA-418



Part Dimensions:  
5.0 × 3.2 × 1.2mm • 62.00mg

### Applications

- SerDes
- Storage Area Networking
- Broadband Access
- SONET/SDH/DWDM
- PON
- Ethernet/GbE/SyncE
- Fiber Channel
- Test and Measurement

Standard Frequencies, 100fs Maximum	
- 125.00MHz	- 156.25MHz
- 150.00MHz	- 156.2539MHz
- 155.52MHz	- 161.1328MHz

\* See Page 8 for additional developed frequencies.  
Check with factory for availability of frequencies

### Description

CTS Model 655 is a low cost, high performance clock oscillator supporting differential LVPECL or LVDS outputs. Employing the latest IC technology, M655 has excellent stability and very low jitter/phase noise performance.

### Ordering Information

Model	Output Type	Frequency Code [MHz]	Frequency Stability	Temperature Range	Supply Voltage	Packaging
655	P	XXX or XXXX	3	I	3	T

Code	Output
P	LVPECL - Pin 1 Enable
L	LVDS - Pin 1 Enable
E	LVPECL - Pin 2 Enable
V	LVDS - Pin 2 Enable

Code	Stability
6	±20ppm <sup>2</sup>
5	±25ppm
3	±50ppm
2	±100ppm

Code	Voltage
2	+2.5Vdc
3	+3.3Vdc

Code	Temp. Range
A	-10°C to +60°C
C	-20°C to +70°C
I	-40°C to +85°C

Code	Frequency
Product Frequency Code <sup>1</sup>	

Code	Packing
T	1k pcs./reel

Notes:

- 1) Refer to document 016-1454-0, Frequency Code Tables. 3-digits for frequencies <100MHz, 4-digits for frequencies 100MHz or greater.
- 2) Consult factory for availability of 6I Stability/Temperature combination.

**Not all performance combinations and frequencies may be available.  
Contact your local CTS Representative or CTS Customer Service for availability.**

This product is specified for use only in standard commercial applications. Supplier disclaims all express and implied warranties and liability in connection with any use of this product in any non-commercial applications or in any application that may expose the product to conditions that are outside of the tolerances provided in its specification.



## Electrical Specifications

### Operating Conditions

PARAMETER	SYMBOL	CONDITIONS	MIN	TYP	MAX	UNIT
Maximum Supply Voltage	$V_{CC}$	-	-0.5	-	5.0	V
Supply Voltage	$V_{CC}$	$\pm 5\%$	2.375 3.135	2.5 3.3	2.625 3.465	V
<b>Supply Current</b>						
LVPECL	$I_{CC}$	Maximum Load	-	55	88	mA
LVDS			-	45	66	
Operating Temperature	$T_A$	-	-20 -40	+25	+70 +85	$^{\circ}\text{C}$
Storage Temperature	$T_{STG}$	-	-40	-	+125	$^{\circ}\text{C}$

### Frequency Stability

PARAMETER	SYMBOL	CONDITIONS	MIN	TYP	MAX	UNIT
<b>Frequency Range</b>						
LVPECL	$f_0$	-		80 - 170		MHz
LVDS				80 - 170		
Frequency Stability [Note 1]	$\Delta f/f_0$	-		20, 25, 50 or 100		$\pm$ ppm
Aging	$\Delta f/f_{25}$	First Year @ +25 $^{\circ}\text{C}$ , nominal $V_{CC}$	-3	-	3	ppm

1.] Inclusive of initial tolerance at time of shipment, changes in supply voltage, load, temperature and 1st year aging.

### Output Parameters

PARAMETER	SYMBOL	CONDITIONS	MIN	TYP	MAX	UNIT
Output Type	-	-		LVPECL		-
Output Load	$R_L$	Terminated to $V_{CC} - 2.0\text{V}$	-	50	-	Ohms
Output Voltage Levels	$V_{OH}$	PECL Load, -20 $^{\circ}\text{C}$ to +70 $^{\circ}\text{C}$	$V_{CC} - 1.025$	-	$V_{CC} - 0.880$	V
	$V_{OL}$		$V_{CC} - 1.810$	-	$V_{CC} - 1.620$	
	$V_{OH}$	PECL Load, -40 $^{\circ}\text{C}$ to +85 $^{\circ}\text{C}$	$V_{CC} - 1.085$	-	$V_{CC} - 0.880$	V
	$V_{OL}$		$V_{CC} - 1.830$	-	$V_{CC} - 1.555$	
Output Duty Cycle	SYM	@ $V_{CC} - 1.3\text{V}$	45	-	55	%
Rise and Fall Time	$T_R, T_F$	@ 20%/80% Levels, $R_L = 50$ Ohms	-	0.3	0.7	ns
<b>LVDS</b>						
Output Type	-	-		LVDS		-
Output Load	$R_L$	Between Outputs	-	100	-	Ohms
Output Voltage Levels	$V_{OH}$	LVDS Load	-	1.43	1.60	V
	$V_{OL}$		0.90	1.10	-	
Output Duty Cycle	SYM	@ 1.25V	45	-	55	%
Differential Output Voltage	$V_{OD}$	$R_L = 100$ Ohms	247	330	454	mV
Offset Voltage	$V_{OS}$	LVDS Load	1.125	1.25	1.375	V
Rise and Fall Time	$T_R, T_F$	@ 20%/80% Levels, $R_L = 100$ Ohms	-	0.4	0.7	ns

## Electrical Specifications

### Output Parameters

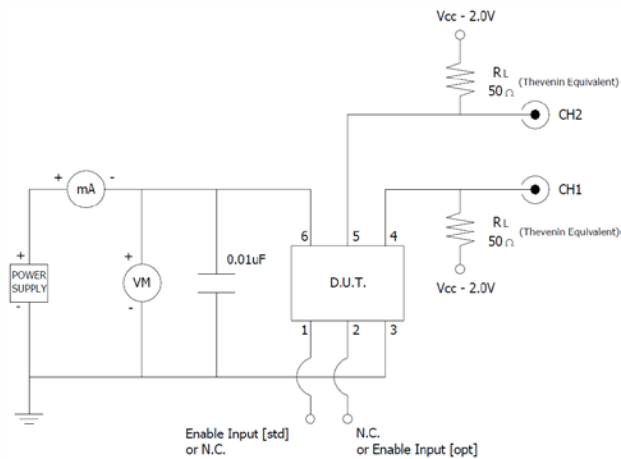
PARAMETER	SYMBOL	CONDITIONS	MIN	TYP	MAX	UNIT
Start Up Time	$T_S$	Application of $V_{CC}$	-	2	5	ms
<b>Enable Function [Standby]</b>						
Enable Input Voltage	$V_{IH}$	Pin 1 or 2 Logic '1', Output Enabled	$0.7V_{CC}$	-	-	V
Disable Input Voltage	$V_{IL}$	Pin 1 or 2 Logic '0', Output Disabled	-	-	$0.3V_{CC}$	V
Disable Time	$T_{PLZ}$	Pin 1 or 2 Logic '0', Output Disabled	-	-	200	ns
Enable Time	$T_{PLZ}$	Pin 1 or 2 Logic '1', Output Enabled	-	-	2	ms
Phase Jitter, RMS	$t_{jrms}$	80 - 124.9MHz, Bandwidth 12 kHz - 20 MHz	-	-	200	fs
		125 - 170MHz, Bandwidth 12 kHz - 20 MHz	-	-	100	
Period Jitter, pk-pk	$p_{jpk-pk}$	-	-	2.6	-	ps
Period Jitter, RMS	$p_{jrms}$	-	-	25	-	ps

### Enable Truth Table

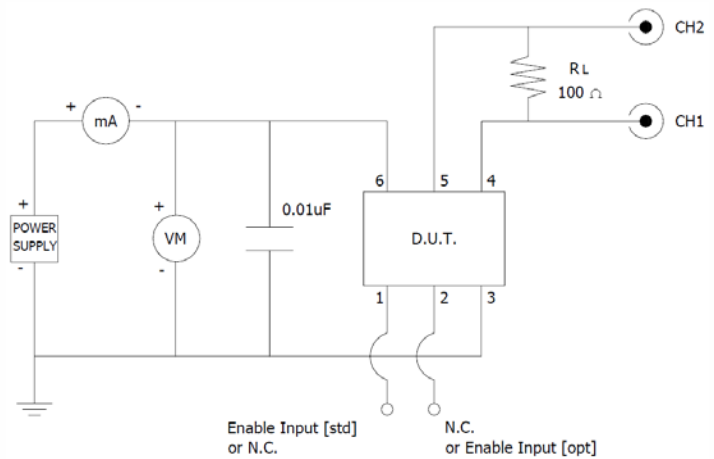
Pin 1 or Pin 2	Pin 4 & Pin 5
Logic '1'	Output
Open	Output
Logic '0'	High Imp.

### Test Circuit

LVPECL

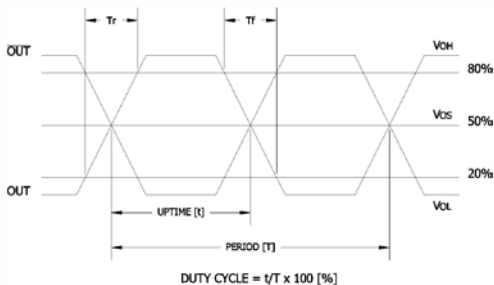


LVDS



### Output Waveform

LVPECL or LVDS

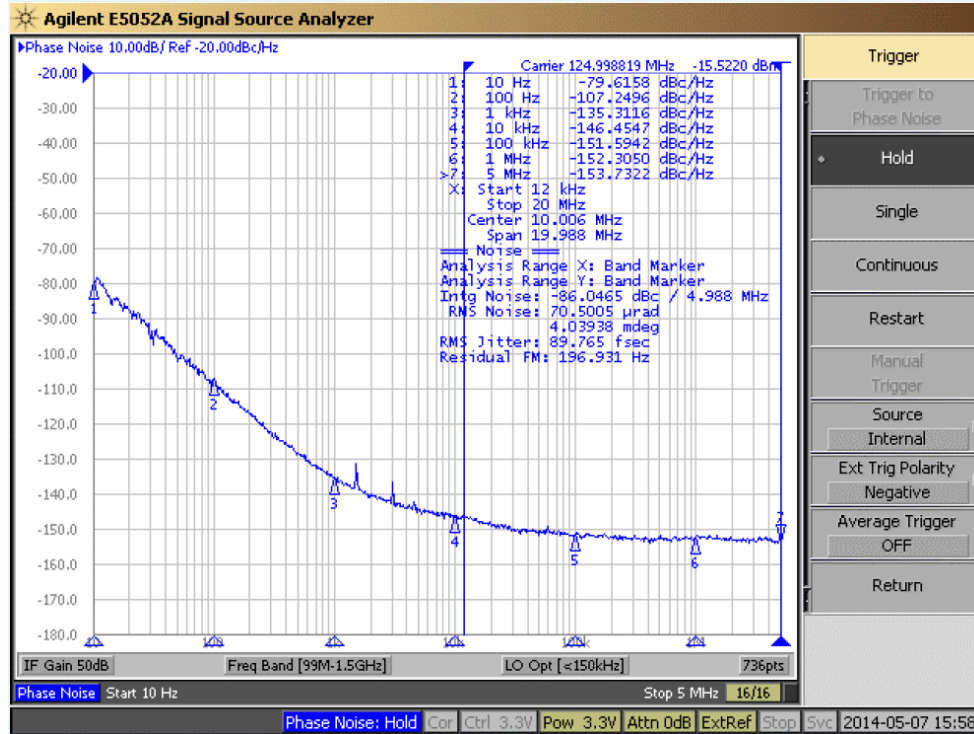


## Electrical Specifications

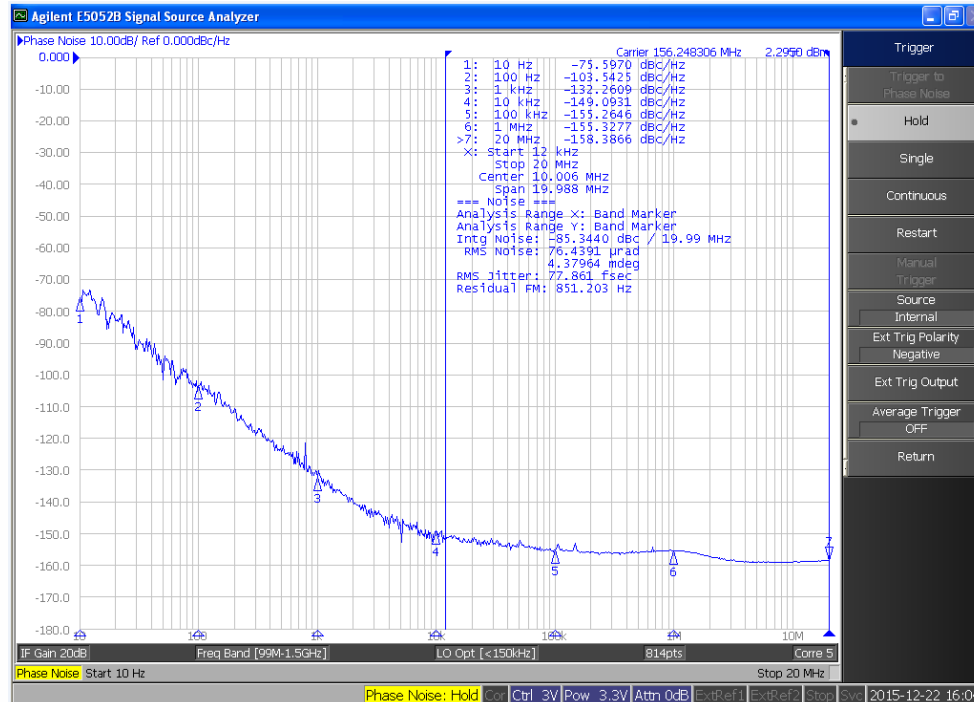
### Performance Data

#### Phase Noise [typical]

125.00MHz, LVPECL,  $V_{CC} = 3.3V$ ,  $T_A = +25^\circ C$



156.25MHz, LVPECL,  $V_{CC} = 3.3V$ ,  $T_A = +25^\circ C$

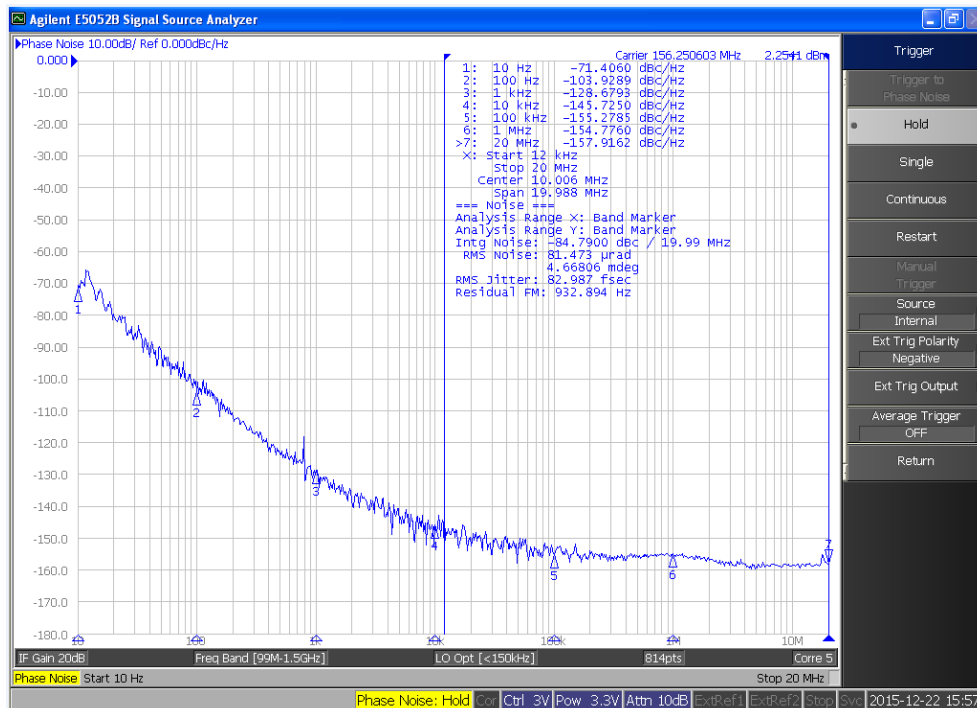


## Electrical Specifications

### Performance Data

#### Phase Noise [typical]

156.25MHz, LVDS,  $V_{CC} = 3.3V$ ,  $T_A = +25^\circ C$



#### Phase Noise Tabulated

Typical,  $V_{CC} = 3.3V$ ,  $T_A = +25^\circ C$

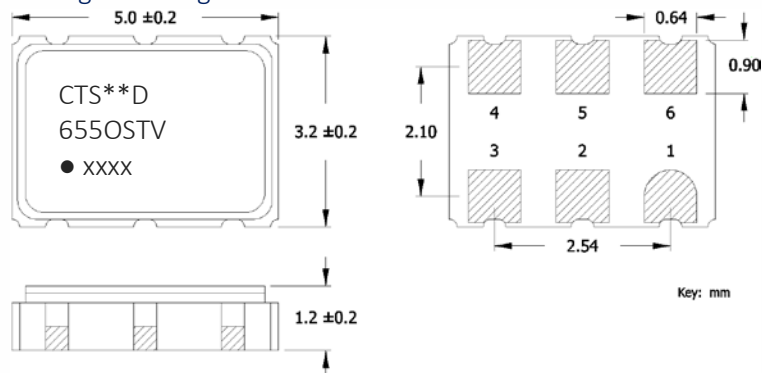
PARAMETER	SYMBOL	CONDITIONS	TYP	UNIT
<b>LVPECL @ 125.00MHz</b>				
Phase Noise	-	Single Side Band		
		@ 10Hz	-79.62	
		@ 100Hz	-107.25	
		@ 1kHz	-135.31	
		@ 10kHz	-146.45	dBc/Hz
		@ 100kHz	-151.59	
		@ 1MHz	-152.31	
@ 5MHz	-153.73			
Phase Jitter, RMS	tjrms	Integration Bandwidth 12kHz - 20MHz	89.77	fs

PARAMETER	SYMBOL	CONDITIONS	TYP	UNIT
<b>LVPECL @ 156.25MHz</b>				
Phase Noise	-	Single Side Band		
		@ 10Hz	-75.60	
		@ 100Hz	-103.54	
		@ 1kHz	-132.26	
		@ 10kHz	-149.09	dBc/Hz
		@ 100kHz	-155.26	
		@ 1MHz	-155.33	
@ 20MHz	-158.39			
Phase Jitter, RMS	tjrms	Integration Bandwidth 12kHz - 20MHz	77.86	fs

PARAMETER	SYMBOL	CONDITIONS	TYP	UNIT
<b>LVDS @ 156.25MHz</b>				
Phase Noise	-	Single Side Band		
		@ 10Hz	-71.41	
		@ 100Hz	-103.93	
		@ 1kHz	-128.68	
		@ 10kHz	-145.73	dBc/Hz
		@ 100kHz	-155.28	
		@ 1MHz	-154.78	
@ 20MHz	-157.92			
Phase Jitter, RMS	tjrms	Integration Bandwidth 12kHz - 20MHz	82.99	fs

## Mechanical Specifications

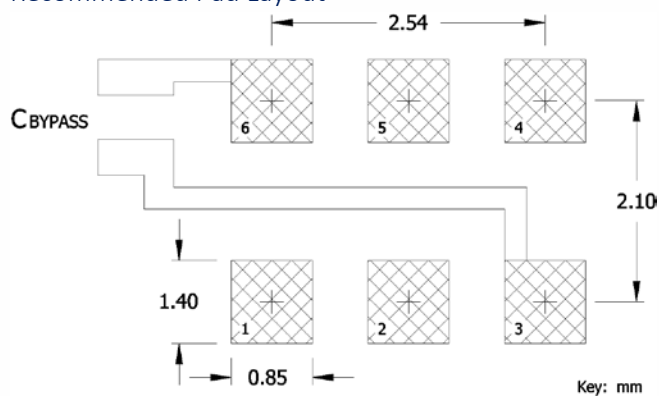
### Package Drawing



### Marking Information

- \*\* - Manufacturing Site Code.
- D - Date Code. See Table I for codes.
- O - Output Type; P or E = LVPECL, L or V = LVDS.  
[Refer to Ordering Information]
- ST - Frequency Stability/Temperature Code.
- xxxx - Frequency Code.  
3-digits, frequencies below 100MHz  
4-digits, frequencies 100MHz or greater  
[See document 016-1454-0, Frequency Code Tables.]

### Recommended Pad Layout



### Notes

- JEDEC termination code (e4). Barrier-plating is nickel [Ni] with gold [Au] flash plate.
- Reflow conditions per JEDEC J-STD-020; +260°C maximum, 20 seconds.
- MSL = 1.

### Pin Assignments

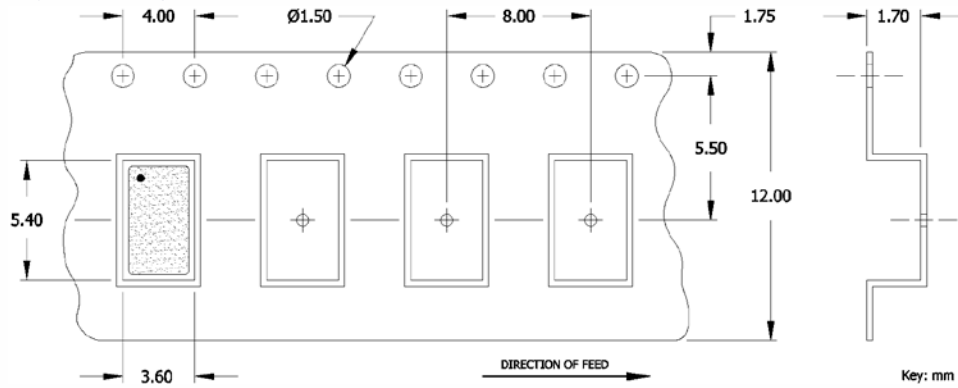
Pin	Symbol	Function
1	EOH or N.C.	Enable [std] or No Connect
2	N.C. or EOH	No Connect or Enable [opt]
3	GND	Circuit & Package Ground
4	Output	RF Output
5	Output	Complimentary RF Output
6	V <sub>CC</sub>	Supply Voltage

Table I - Date Code

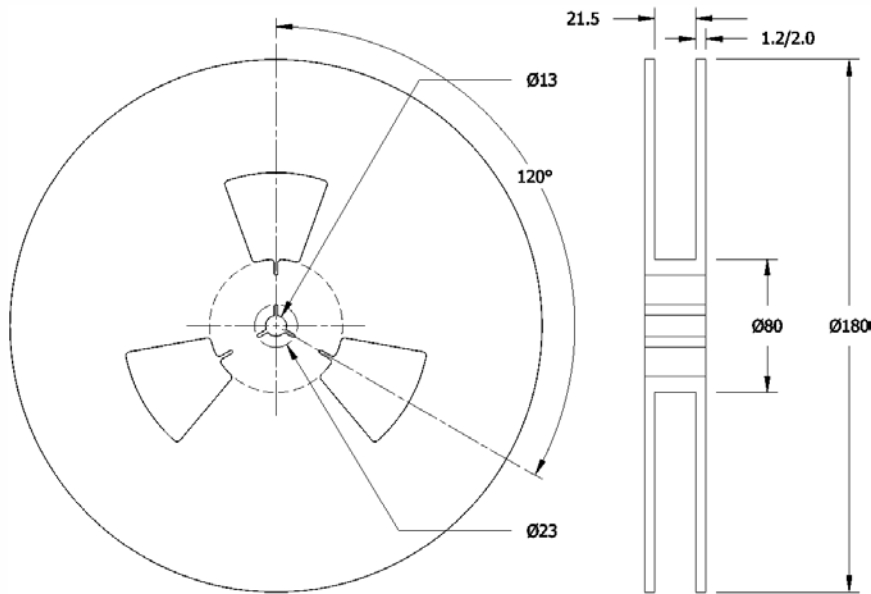
		MONTH														
YEAR		JAN	FEB	MAR	APR	MAY	JUN	JUL	AUG	SEP	OCT	NOV	DEC			
2001	2005	2009	2013	2017	A	B	C	D	E	F	G	H	J	K	L	M
2002	2006	2010	2014	2018	N	P	Q	R	S	T	U	V	W	X	Y	Z
2003	2007	2011	2015	2019	a	b	c	d	e	f	g	h	j	k	l	m
2004	2008	2012	2016	2020	n	p	q	r	s	t	u	v	w	x	y	z

### Packaging - Tape and Reel

#### Tape Drawing



#### Reel Drawing



#### Notes

1. Device quantity is 1k pieces minimum 3k pieces maximum per 180mm reel.
2. Complete CTS part number, frequency value and date code information must appear on reel and carton labels.



## Addendum

### Additional Developed Frequencies – MHz

FREQUENCY	FREQUENCY CODE	FREQUENCY	FREQUENCY CODE	FREQUENCY	FREQUENCY CODE	FREQUENCY	FREQUENCY CODE
80.000000	800						
100.000000	1000						
120.000000	1200						
133.000000	1330						
148.351600	148A						
148.500000	1485						
153.600000	1536						
156.253906	156A						
167.372800	167A						

### Frequency Codes for Cover Page Table – MHz

FREQUENCY	FREQUENCY CODE	FREQUENCY	FREQUENCY CODE	FREQUENCY	FREQUENCY CODE	FREQUENCY	FREQUENCY CODE
125.000000	1250	156.253900	156E				
150.000000	1500	161.132800	1611				
155.520000	1555						
156.250000	1562						



## X-ON Electronics

Largest Supplier of Electrical and Electronic Components

*Click to view similar products for [Standard Clock Oscillators](#) category:*

*Click to view products by [CTS](#) manufacturer:*

Other Similar products are found below :

[601252](#) [F335-25](#) [F535L-33.333](#) [F535L-50](#) [ECS-2018-160-BN-TR](#) [MXO45HS-2C-66.6666MHZ](#) [SiT1602BI-22-33E-50.000000E](#) [SiT8209AI-32-33E-125.000000](#) [SIT8918AA-11-33S-50.000000G](#) [SM4420TEV-40.0M-T1K](#) [F335-24](#) [F335-40](#) [F535L-10](#) [F535L-12](#) [F535L-16](#) [F535L-24](#) [F535L-27](#) [F535L-48](#) [PE7744DW-100.0M](#) [CSX-750FCC14745600T](#) [ASF1-3.686MHZ-N-K-S](#) [XO57CTECNA3M6864](#) [ECS-2100A-147.4](#) [601251](#) [EP16E7E2H26.000MTR](#) [SIT8918AA-11-33S-16.000000G](#) [XO3003](#) [9120AC-2D2-33E212.500000](#) [9102AI-243N25E100.00000](#) [8208AC-82-18E-25.00000](#) [ASDK2-32.768KHZ-LR-T3](#) [8008AI-72-XXE-24.545454E](#) [8004AC-13-33E-133.33000X](#) [AS-4.9152-16-SMD-TR](#) [ASFL1-48.000MHZ-LC-T](#) [SIT8920AM-31-33E-25.0000](#) [DSC1028DI2-019.2000](#) [9121AC-2C3-25E100.00000](#) [9102AI-233N33E100.00000X](#) [9102AI-233N25E200.00000](#) [9102AI-232H25S125.00000](#) [9102AI-133N25E200.00000](#) [9102AC-283N25E200.00000](#) [9001AC-33-33E1-30.000](#) [3921AI-2CF-33NZ125.000000](#) [5730-1SF](#) [PXA000010](#) [8003AI-12-33S-40.00000Y](#) [1602BI-13-33S-19.200000E](#) [8208AI-2F-18E-25.000000X](#)