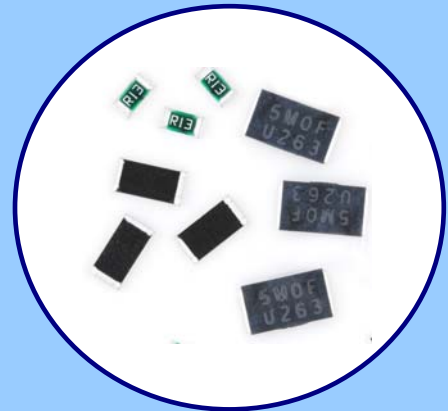


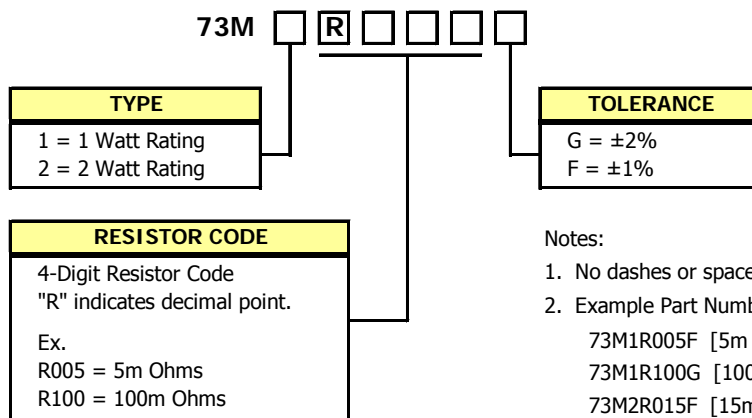


FEATURES

- Very Low Resistance
- Suitable for Current Limiting, Current Detection, Motor Control, Power Supply and Hard Disk Drives
- High Precision and Excellent Accuracy for Current Detection
- Good Electrical Characteristics
- Surface Mount Package
- Nickel Barrier Solder-Coated Pads [e3]
- Reflow capable per JEDEC J-STD-020, 260°C maximum
- Tape and Reel Packaging
- **RoHS/Green Compliant (6/6)**



ORDERING INFORMATION



Notes:

1. No dashes or spaces to appear in part number.
2. Example Part Numbers:
73M1R005F [5m Ohms, ±1%]
73M1R100G [100m Ohms, ±2%]
73M2R015F [15m Ohms, ±1%]

**Not all performance combinations and resistor values may be available.
Contact your local CTS Representative or CTS Customer Service for availability.**

STANDARD RESISTOR VALUES

73M1

Standard Resistance Values (Based on EIA E24 Sequence)

4-Digit Code

Resistor Value	Resistor Code	Resistor Value	Resistor Code	Resistor Value	Resistor Code
0.003Ω	R003	0.016Ω	R016	0.047Ω	R047
0.004Ω	R004	0.018Ω	R018	0.050Ω	R050
0.005Ω	R005	0.020Ω	R020	0.051Ω	R051
0.006Ω	R006	0.022Ω	R022	0.056Ω	R056
0.007Ω	R007	0.024Ω	R024	0.062Ω	R062
0.008Ω	R008	0.027Ω	R027	0.067Ω	R067
0.009Ω	R009	0.030Ω	R030	0.068Ω	R068
0.010Ω	R010	0.033Ω	R033	0.075Ω	R075
0.011Ω	R011	0.036Ω	R036	0.082Ω	R082
0.012Ω	R012	0.039Ω	R039	0.091Ω	R091
0.013Ω	R013	0.040Ω	R040	0.100Ω	R100
0.015Ω	R015	0.043Ω	R043		

73M2

Standard Resistance Values (Based on EIA E24 Sequence)

4-Digit Code

Resistor Value	Resistor Code	Resistor Value	Resistor Code
0.005Ω	R005	0.018Ω	R018
0.006Ω	R006	0.020Ω	R020
0.007Ω	R007	0.022Ω	R022
0.008Ω	R008	0.024Ω	R024
0.009Ω	R009	0.027Ω	R027
0.010Ω	R010	0.030Ω	R030
0.011Ω	R011	0.033Ω	R033
0.012Ω	R012	0.036Ω	R036
0.013Ω	R013	0.039Ω	R039
0.015Ω	R015	0.040Ω	R040
0.016Ω	R016		

ELECTRICAL CHARACTERISTICS

Type	Rated Wattage (Watts)	Resistance (Ohms)	Tolerance (%)	T.C.R (ppm/°C)	Rated Ambient Temperature	Operating Temperature Range
73M1	1	0.003 - 0.009	±1, ±2	0.003Ω ≤ R < 0.005Ω: ±300	+70°C	-55°C to +180°C
		0.010 - 0.100	±1	0.005Ω ≤ R < 0.010Ω: ±180 0.010Ω ≤ R ≤ 0.100Ω: ±100		
73M2	2	0.005 - 0.009	±1, ±2	R < 0.010Ω: ±200	+70°C	-55°C to +180°C
		0.010 - 0.040	±1	R ≥ 0.010Ω: ±100		

MECHANICAL SPECIFICATION

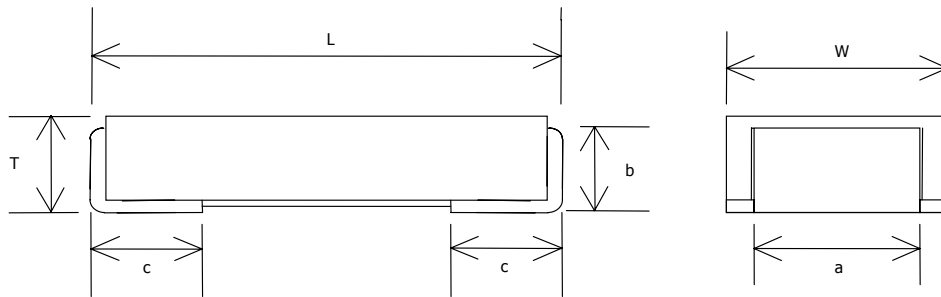
PACKAGE DRAWING

Dimensions (mm)	L	W	T	a	b	c
73M1	6.2 ±0.3	3.1 ±0.2	1.0 ±0.2	2.5 ±0.2	0.8 ±0.2	1.2 ±0.3
73M2	6.4 ±0.3	3.5 ±0.2	1.2 Max.	3.2 ±0.2	---	1.0 ±0.2

73M1



73M2



RECOMMENDED LAND PATTERN

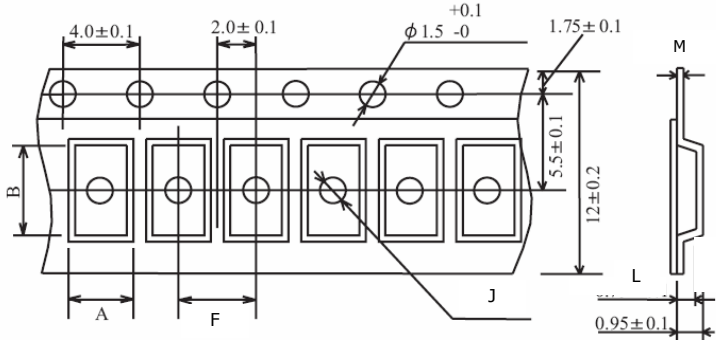


Type	Dimensions (mm)		
	A	B	C
73M1	2.90	8.10	3.60
73M2	3.50	8.30	4.00

PACKAGING INFORMATION

EMBOSSED TAPE [mm]

Type	A	B	F	J	L	M
73M1	3.5 ±0.1	6.6 ±0.1	8.0 ±0.10	1.5 ±0.2	1.3 ±0.1	0.3 ±0.05
73M2	4.0 ±0.1	6.9 ±0.1	8.0 ±0.10	1.5 ^{+0.1} _{-0.0}	1.4 ±0.1	0.25 ±0.05



REEL [mm]

Type	Quantity Per Reel	A (mm)
73M1	1,000	15.4 ±1.0
73M2	1,000	15.4 ±1.0



X-ON Electronics

Largest Supplier of Electrical and Electronic Components

Click to view similar products for [Current Sense Resistors - SMD category](#):

Click to view products by [CTS manufacturer](#):

Other Similar products are found below :

[CRL0603-FW-R700ELF](#) [65709-330JE](#) [PF2512FKF7W0R007L](#) [PR2512FKF7W0R003L](#) [PR2512FKF7W0R005L](#) [PF2512FKF7W0R006L](#)
[PF2512FKF7W0R033L](#) [CD2015FC-0.10-1%](#) [PR2512FKF7W0R004L](#) [RC1005F124CS](#) [RL73K3AR56JTDF](#) [RL7520WT-R001-F](#)
[RL7520WT-R009-G](#) [RL7520WT-R020-F](#) [RLP73N1ER43JTD](#) [LRC-LR2512LF-01-R820J](#) [WR06X104JGLJ](#) [TL2BR01F](#) [65709-330](#) [SP1R12J](#)
[RL7520WT-R039-G](#) [PF1206FRF7W0R02L](#) [RL7520WT-R002-F](#) [RL7520WT-R047-F](#) [RL7520WT-R005-F](#) [KRL1632E-C-R200-F-T5](#)
[KRL1632E-C-R200-F-T1](#) [Y14880R02000B9R](#) [RLP73M1ER051FTDF](#) [RLP73M2AR051FTDF](#) [RLP73M2AR075FTDF](#) [RLP73K2A1R0FTDF](#)
[RLP73M1JR051FTDF](#) [RLP73N1JR47FTDF](#) [SR731ERTTP5R10F](#) [SR731ERTTP100J](#) [SR731ERTTP6R80F](#) [SR731ERTTP4R70F](#)
[SR731ERTTP2R20F](#) [SR731ERTTP3R90F](#) [SR731ERTTP1R00F](#) [SR731ERTTP10R0F](#) [SR731ERTTP2R00F](#) [SR731ERTTP8R20F](#)
[SR731ERTTP3R9J](#) [SR731ERTTP8R2J](#) [SR731ERTTP2R0J](#) [SR731ERTTP4R7J](#) [SR731ERTTP9R1J](#) [SR731ERTTP1R0J](#)