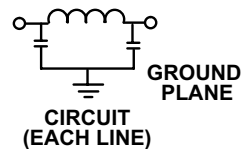
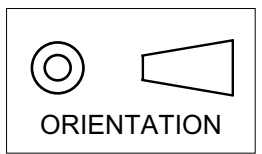
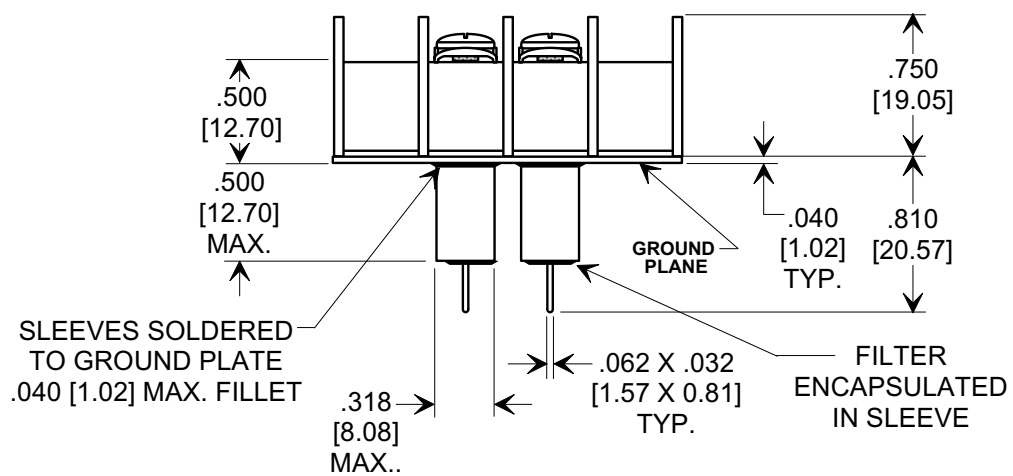
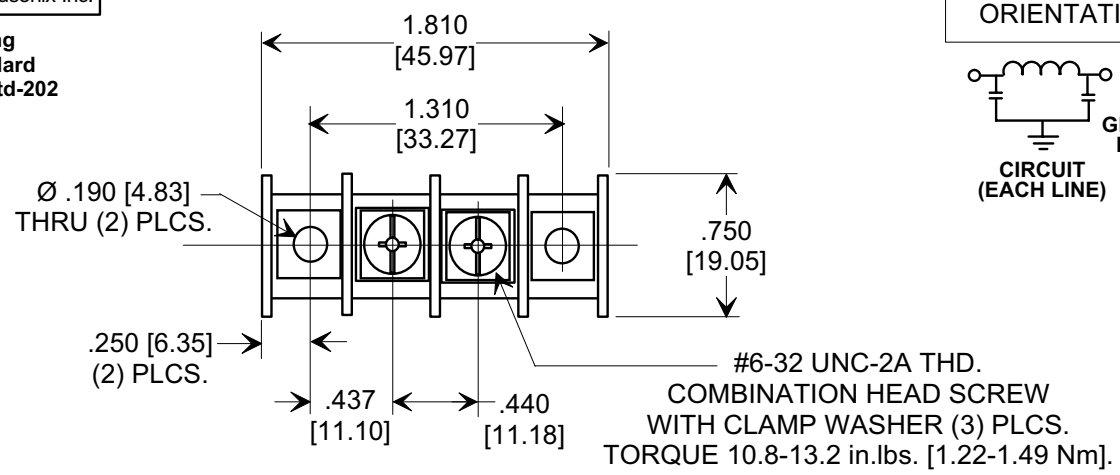


This drawing is the property of Tusonix, Inc., and may not be used, reproduced, published or disclosed to others without expressed authorization by Tusonix Inc.

**MARKETING SALES DRAWING**  
**DIMENSIONS IN INCHES - DO NOT SCALE THIS DRAWING**  
**DIMENSIONS IN METRIC - [ ]**



**Electrical Testing**  
 per Tusonix standard  
 test plans and Mil-Std-202  
 Test Methods.



**NOTES:**

1. TUSONIX STANDARD PART NUMBER: 7602-501N.  
 TUSONIX RoHS COMPLIANT PART NUMBER: 7602-501N LF.  
 CUSTOMER MUST SPECIFY STANDARD OR RoHS PART NUMBER WHEN ORDERING.
2. LEAD FINISH: MATTE TIN.
3. PLATE MATERIAL: .040" [1.02] COPPER ALLOY, MATTE TIN FINISH.
4. PART MARKING: TRADEMARK, PART NUMBER, DATE CODE, AND UL RECOGNITION:  
 WHITE INK. RoHS PART: GREEN INK DOT ON TOP OF GROUND PLATE AS SHOWN.
5. MAX. SOLDERING TEMPERATURE 500°F [260°C].
6. BLOCK MOUNTING: RECOMMENDED MOUNTING SCREWS  
 (# 8 PAN HEAD). TORQUE 4.5-5.5 in. lbs. [0.51-0.62 Nm] MAX.
7. MOLDED MATERIAL: HIGH TEMPERATURE THERMOPLASTIC (PBT), UL RATED 94 V-0.
8. U.L. FILE NO. E201344.

| Cx (pF)   | WVAC<br>-40°C TO +125°C | I <sub>DC</sub> | I.R.<br>MIN. @<br>100 (VDC.) | DWV<br>(VAC) | TYPICAL NO LOAD INSERTION LOSS (dB) @ 25°C PER MIL-STD-220 |         |       |        |
|-----------|-------------------------|-----------------|------------------------------|--------------|--|---------|-------|--------|
|           |                         |                 |                              |              | 10 MHz   | 100 MHz | 1 GHz | 10 GHz |
| 2000 MIN. | 250                     | 20 Amps         | 10 G Ω                       | 1500         | 5  | 50      | 60    | 65     |

|   |   |  |  |                        |            |
|---|---|--|--|------------------------|------------|
| REVISION RECORD<br>Original Release<br>C.O. 20070910-1-01 | 0 | TOLERANCES<br>unless otherwise specified<br>2 PLC.<br>DECIMAL ± N/A<br>3 PLC.<br>DECIMAL ± .030 [0.76] | Title <b>FILTERED TERMINAL<br/>         BLOCK 2 POSITION,<br/>         UL RECOGNIZED</b> |                        |            |
|   |   |  | ANGLES ± N/A   | Drawn S.M. 09-10-07    | Scale FULL |
|   |   | <b>TUSONIX</b><br>TUCSON, ARIZONA  |  | Approved R.L. 09-10-07 |            |
|   |   | A  | 7602-501N  |                        |            |

X-2015 Rev-0

## X-ON Electronics

Largest Supplier of Electrical and Electronic Components

*Click to view similar products for [Barrier Terminal Blocks](#) category:*

*Click to view products by [CTS](#) manufacturer:*

Other Similar products are found below :

[CR151D20104](#) [670A-RZ-15-KT20](#) [6C1N03](#) [6PCR-02](#) [6PCR-02-008](#) [6PCR-05-008](#) [6PCR-08-008](#) [6PCR-09-008](#) [6PCR-13-006](#) [6PCR-15-006](#) [6PCR-21-006](#) [6PCV-06-008](#) [6PCV-06-716](#) [6PCV-09-001](#) [6PCV-10-009](#) [6PCV-15-008](#) [6PCV-17-1206](#) [6PCV-20-323](#) [6PCV-30-006](#) [6STR-06-006](#) [6STR-08-006](#) [6STR-12-008](#) [6STR-13-006](#) [6STR-14-008](#) [6STR-16-008](#) [6STR-17-008](#) [6STR-21-008](#) [6STR-25-008](#) [6STR-27-008](#) [6STV-03-006](#) [6STV-03-008](#) [6STV-04-006](#) [6STV-09-006](#) [6STV-10-006](#) [6WWR-03-693](#) [6WWV-12-008](#) [6WWV-16-008](#) [72212603](#) [72504-C-50](#) [72506-C](#) [72507-C-50](#) [73203](#) [75505-C](#) [75505-C-50](#) [75510-C](#) [77010-50](#) [7C1N08](#) [812-GP-3/4ST-09](#) [8-1437402-5](#) [8-1437402-7](#)