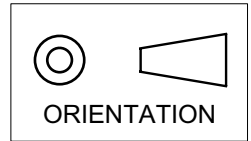


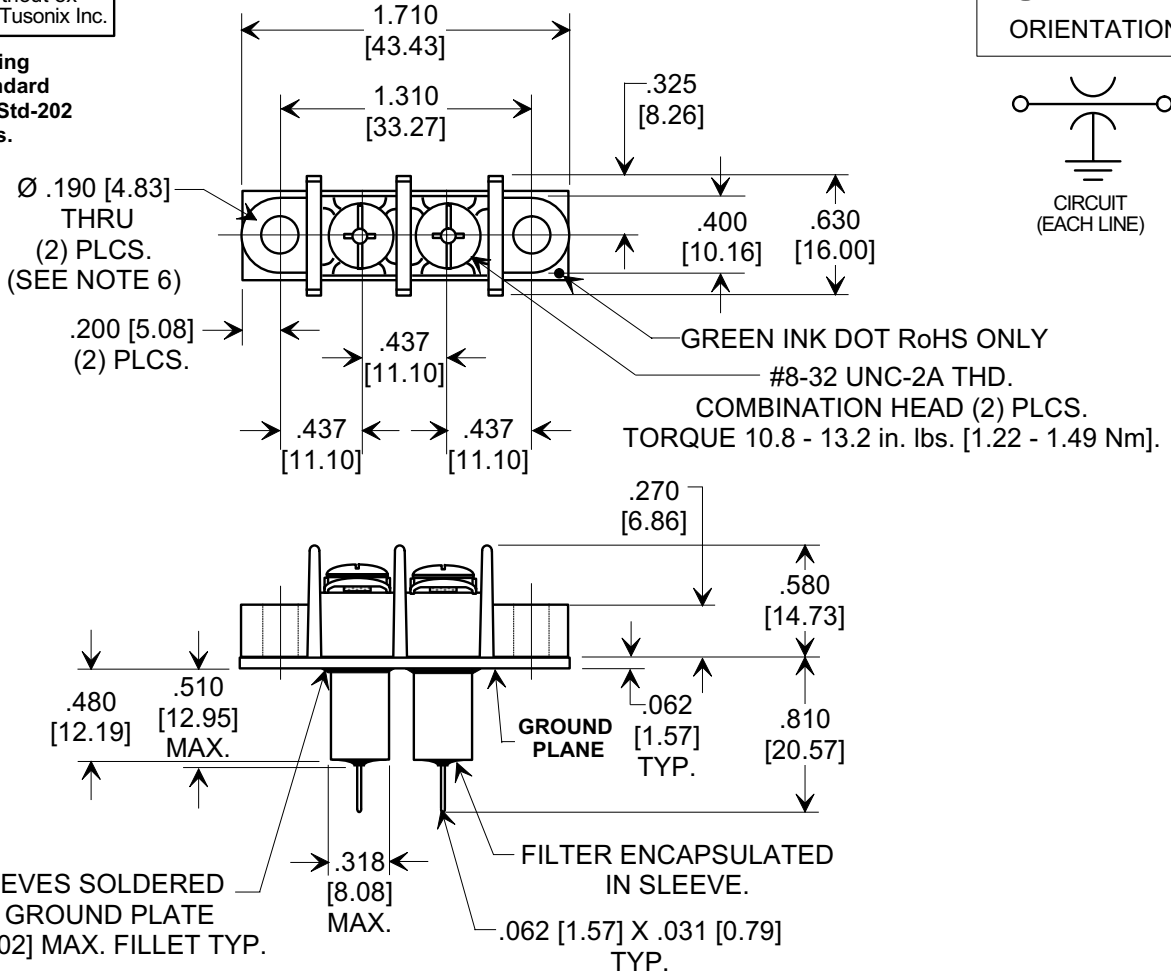
MARKETING SALES DRAWING

DIMENSIONS IN INCHES - DO NOT SCALE THIS DRAWING
DIMENSIONS IN METRIC - []

This drawing is the property of Tusonix, Inc., and may not be used, reproduced, published or disclosed to others without expressed authorization by Tusonix Inc.



Electrical Testing
per Tusonix standard
test plans and Mil-Std-202
Test Methods.



NOTES:

1. TUSONIX STANDARD PART NUMBER: 7602-602. TUSONIX RoHS COMPLIANT PART NUMBER: 7602-602 LF. CUSTOMER MUST SPECIFY STANDARD OR RoHS PART NUMBER WHEN ORDERING.
2. LEAD FINISH: MATTE TIN.
3. PLATE MATERIAL: .062" COPPER ALLOY, MATTE TIN FINISH.
4. PART MARKING: PART NUMBER, DATE CODE AND UL RECOGNITION: WHITE INK. RoHS PART: GREEN INK DOT ON TOP OF GROUND PLATE AS SHOWN.
5. MAX. SOLDERING TEMPERATURE 500°F [260°C].
6. BLOCK MOUNTING: RECOMMENDED MOUNTING SCREWS (# 8 PAN HEAD). TORQUE 4.5 - 5.5 in. Lb. [0.51 - 0.62 Nm].
7. MOLDED MATERIAL: HIGH TEMPERATURE THERMOPLASTIC (PBT), UL RATED 94 V-O.
8. RATED FOR DIRECT CURRENT APPLICATIONS ONLY.
9. U.L. FILE NO: E201344.

Cx (pF)	WORKING VOLTAGE -40°C TO +125°C	I _{DC}	D.W.V.	I.R. MIN.	TYPICAL NO LOAD INSERTION LOSS (dB) AT 25°C PER MIL-STD-220			
					10 MHz	100 MHz	1 GHz	10 GHz
12,000/27,000	150 VDC	30 Amps	2121 VDC (60 SEC.)	10 G Ω	28	45	70	70

REVISION RECORD	Original Release	0	TOLERANCES unless otherwise specified 2 PLC. DECIMAL ± N/A 3 PLC. DECIMAL ± .030 [0.76] ANGLES ± N/A	Title "C" FEED - THRU TERMINAL BLOCK 2 POSITION (UL RECOGNIZED)	Drawn S.M. 07-31-03	Scale FULL
	C.O. 20030718-1-03	5				
	Cx WAS 15,000 MIN. S.M. 08-24-05	6				
	20050818-12-21	7				
ADDED NOTES 1-4 & RE-NUMBERED S.M. 09-29-05	8	Approved R.C. 07-31-03	TUSONIX TUCSON, ARIZONA	A	7602-602	
20050922-1-10	9					
Cx WAS 12,000/18,000. S.M. 10-19-05						
20051006-3-03						
NOTE 4 REVISED. ADDED INK DOT. REVISED TORQUE. S.M. 01-23-06						
20060103-1-09						
DIA. .190 NOTE WAS 2. S.M. 01-11-07						
20070109-2-01						

X-2015 Rev-0

X-ON Electronics

Largest Supplier of Electrical and Electronic Components

Click to view similar products for [Barrier Terminal Blocks](#) category:

Click to view products by [CTS](#) manufacturer:

Other Similar products are found below :

[CR151D20104](#) [670A-RZ-15-KT20](#) [6C1N03](#) [6PCR-02](#) [6PCR-02-008](#) [6PCR-05-008](#) [6PCR-08-008](#) [6PCR-09-008](#) [6PCR-13-006](#) [6PCR-15-006](#) [6PCR-21-006](#) [6PCV-06-008](#) [6PCV-06-716](#) [6PCV-09-001](#) [6PCV-10-009](#) [6PCV-15-008](#) [6PCV-17-1206](#) [6PCV-20-323](#) [6PCV-30-006](#) [6STR-06-006](#) [6STR-08-006](#) [6STR-12-008](#) [6STR-13-006](#) [6STR-14-008](#) [6STR-16-008](#) [6STR-17-008](#) [6STR-21-008](#) [6STR-25-008](#) [6STR-27-008](#) [6STV-03-006](#) [6STV-03-008](#) [6STV-04-006](#) [6STV-09-006](#) [6STV-10-006](#) [6WWR-03-693](#) [6WWV-12-008](#) [6WWV-16-008](#) [72212603](#) [72504-C-50](#) [72506-C](#) [72507-C-50](#) [73203](#) [75505-C](#) [75505-C-50](#) [75510-C](#) [77010-50](#) [7C1N08](#) [812-GP-3/4ST-09](#) [8-1437402-5](#) [8-1437402-7](#)