

HIGH TEMP FAN HEAT SINKS - FHS-090 SERIES

High Operating Temperature Integrated Fan Heat Sinks

DESIGN FEATURES

- Industry-leading maximum operating temperature of 90°C
- Compatible with chipset footprints ranging from 21x21 mm to 55x55 mm
- Total heights from 17 mm for low profile applications to 44.6 mm for lowest thermal resistance
- Common 5VDC @ 0.5 A (max) USB 2.0 fan electrical specifications
- Forged and extruded versions available
- Choice of elliptical, round pin, and plate fin styles



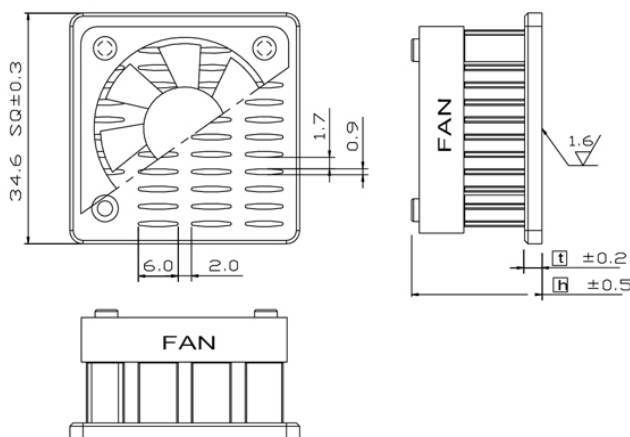
DESCRIPTION

The FHS-090 Series of integrated-fan heat sinks is uniquely designed to absorb and disperse heat away from high temperature devices while offering key features such as an operating temperature range of -10°C to 90°C, calculated MTTF @ 90°C: 86,858 hours (GEM, 90% confidence) and various package sizes to best fit the application. Thermal resistance values range from 4.11°C/W to as low as 0.53°C/W.

These new fansinks can maintain superior thermal dissipation for devices that emit high amount of heat. CTS' fansinks are available in a wide range of footprints and fin heights which make them suitable for many elevated temperature applications such as component testing, burn-in, high density servers, high- speed computing and video, and use in areas where the system airflow is constrained.

Elliptical Fins

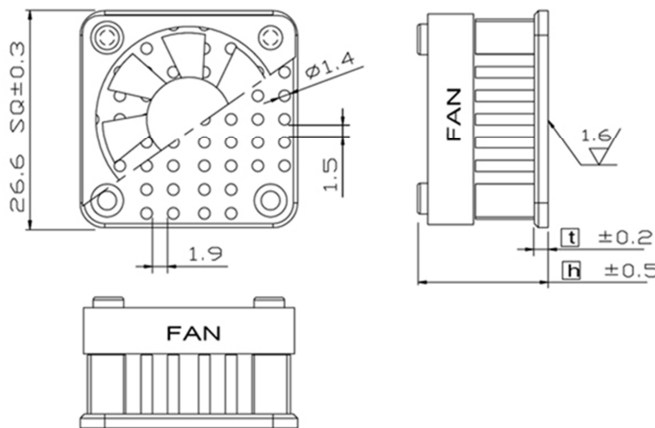
Available Part Numbers	Length x Width x Height (mm)	Thermal Resistance (R _{TH}) (°C/W)	Case Height Range (mm) See Below
FHE35-35-26/T410/M	35 x 35 x 26	2.19	1.4~2.0
FHE35-35-26/T710/T	35 x 35 x 26	1.68	3.0~3.6
FHE35-35-4530/A03/T	35 x 35 x 45	1.36	3.4~4.0
FHE45-45-2229/A01/T	45 x 45 x 22	1.83	3.3~3.9
FHE45-45-45/T710/T	45 x 45x 44	1.12	3.0~3.6



FHE35-35-XX is shown, clip removed for clarity

Pin Fins

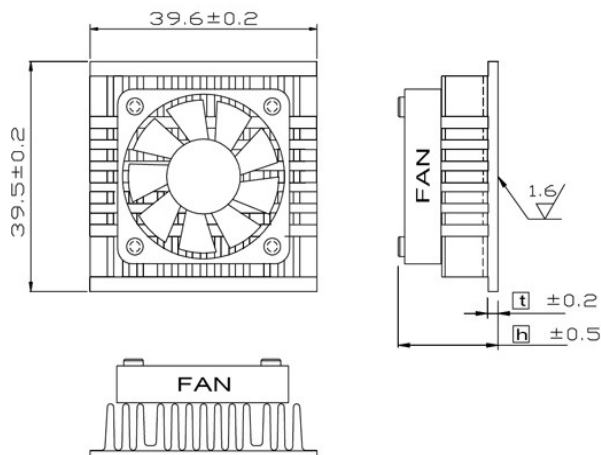
Available Part Numbers	Length x Width x Height (mm)	Thermal Resistance (R_{TH}) ($^{\circ}C/W$)	Case Height Range (mm) See Below
FHP27-27-20/T710/M	27 x 27 x 20	3.41	1.4~2.0
FHP48-48-28/A01/T	48 x 48 x 28.5	1.18	3.0~3.6
FHP48-48-28/T710/T	48 x 48 x 28.5	1.00	3.0~3.6
FHP55-55-28/T710/T	55 x 55 x 28.5	0.82	3.0~3.6
FHP55-55-45/T710/T	55 x 55 x 44	0.53	3.0~3.6



FHP27-27-XX is shown, clip removed for clarity

Extruding Fins

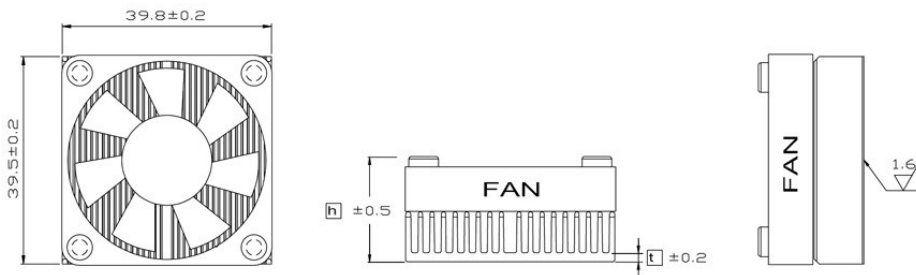
Available Part Numbers	Length x Width x Height (mm)	Thermal Resistance (R_{TH}) ($^{\circ}C/W$)	Case Height Range (mm) See Below
FEX35-35-21/T710/M2	35 x 35 x 21.0	1.95	0.9~1.7
FEX40-40-21/T710/M2	40 x 40 x 21.2	1.82	0.9~1.7



FEX40-40-21 is shown, clip removed for clarity

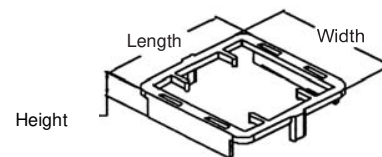
Line Fins

Available Part Numbers	Length x Width x Height (mm)	Thermal Resistance (R _{TH})	Case Height Range (mm) See Below
FHL21-21-18/T710/M	21 x 21 x 18	3.54	1.4~2.0
FHL21-21-21/A01/S	21 x 21 x 21	4.11	0.9~1.4
FHL23-23-18/T710/S	23 x 23 x 17.5	3.22	0.9~1.4
FHL27-27-18/T710/M	27 x 27 x 18	2.79	1.4~2.0
FHL27-27-2314/A01/T	27 x 27 x 24	2.85	2.1~2.6
FHL29-29-18/A01/T	29 x 29 x 18	2.99	2.1~2.6
FHL31-31-17/T710/T	31 x 31 x 18	2.36	2.1~2.6
FHL35-35-18/T710/T	35 x 35 x 18	2.06	2.1~2.6
FHL40-40-18/T710/T	40 x 40 x 18	1.88	2.1~2.6
FHL43-43-17/T710/T	42.5 x 42.5 x 18	1.79	2.1~2.6
FHL43-3-23/T710/T	42.5 x 42.5 x 23	1.32	2.1~2.6
FHL45-45-23/T710/T	45 x 45 x 23	1.43	2.1~2.6



FHL40-40-XX is shown, clip removed for clarity

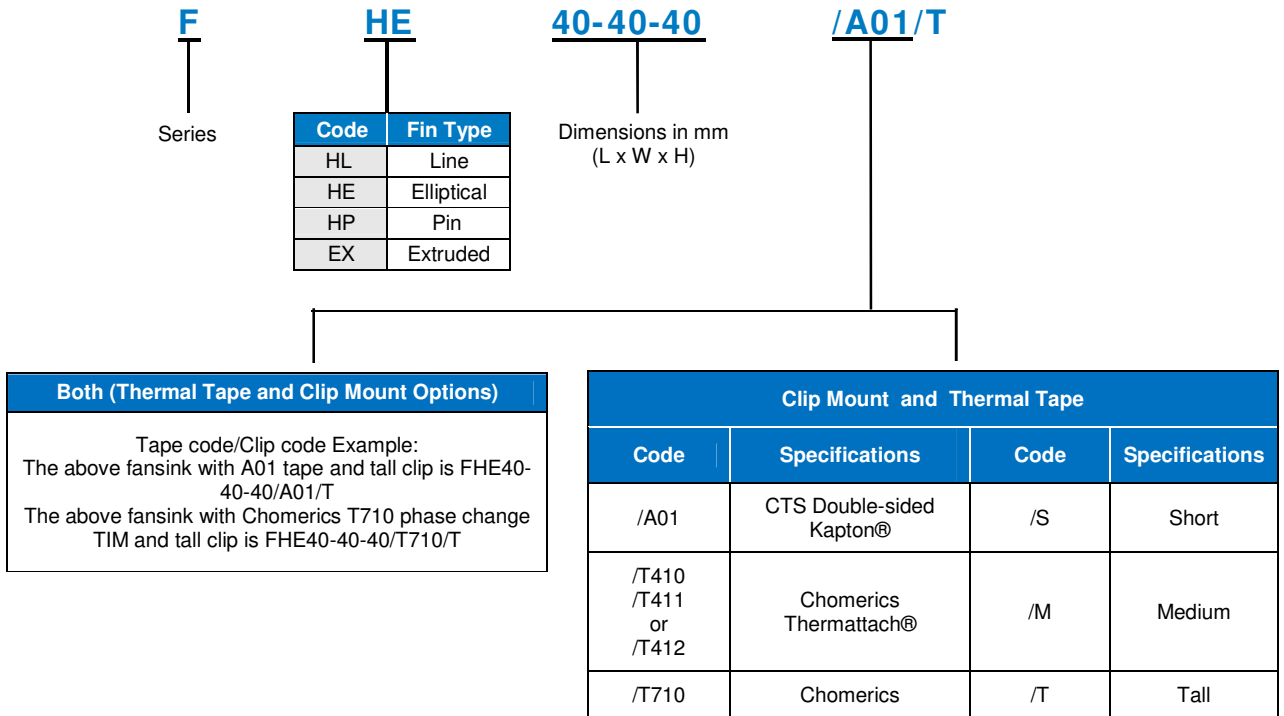
CHIPSET CASE HEIGHT



THERMAL INTERFACE MATERIAL STYLES

Thermal Interface Material	Supplier	Thickness (mm)	Thermal Impedance (°C-in. ² /W)	Dielectric Strength (V/mil)	Description
A01	CTS	0.13	0.82	4,000	Double-sided acrylic adhesive on a Kapton® MT carrier
T410	Chomerics	0.18	1.10	N/A	Double-sided acrylic adhesive loaded with aluminum oxide on an aluminum foil carrier
T411	Chomerics	0.28	1.00	N/A	Double-sided silicone adhesive with expanded aluminum mesh carrier
T412	Chomerics	0.23	0.30	N/A	Double-sided acrylic adhesive loaded with titanium diboride on an expanded aluminum carrier
T710	Chomerics	0.13	0.16	N/A	Phase change thermal pad

PART NUMBER CODE



X-ON Electronics

Largest Supplier of Electrical and Electronic Components

Click to view similar products for [CPU & Chip Coolers](#) category:

Click to view products by [CTS](#) manufacturer:

Other Similar products are found below :

[HS-56M0-C1](#) [FR2UFAN60HSW](#) [1960058073N001](#) [19FFD124010HB2A7-000001-RS](#) [BXTS15A](#) [FHS-A9025S19](#) [CF-520-RS-R11](#) [EP-FNUPACTCLRDC](#) [5078C111200E](#) [AP3505HX-J70-LF](#) [SK 570 25 SA](#) [BXSTS200P 915972](#) [SK 570 10 SA](#) [SK 571 25 SA](#) [SK 571 50 SA](#) [SK 578 15 SA](#) [RAPID-100-2](#) [RAPID-135-6](#) [RAPID-L120](#) [RAPID-L240](#) [109P4412H8026](#) [1960048820N001](#) [BXSTS200PNRW 915971](#) [1960048819N001](#) [CF-1150SE-R11](#) [1750000282](#) [AmITX-BT TM-FAN-ETT](#) [1960049408N001](#) [CF-775A-RS](#) [1960053207N001](#) [1960047670N001](#) [1960047669N001](#) [1750001660](#) [MC30101V1-Q020-S99-PK](#) [664-P4505MX-G90-LF](#) [890SP-01000-A-100](#) [890SP-02000-A-100](#) [890SP-03000-A-100](#) [890SP-01500-A-100](#) [109X7612H1126](#) [CC001](#) [FEX353521T710M2](#) [FHL313117T710T](#) [FHS-K8020S00](#) [EP-FNDCACTCLUPS](#) [36099-0000-99-1](#) [38025-0000-99-0C06](#) [36099-0000-99-0](#) [LA 17/150 24V](#) [LA 27 K 150 ME 24 V](#)