



# LRS200100

## High Bay Lighting Kit/ Heatsink Thermal Solution

### High Thermal Performance

#### Features

- Excellent thermal performance – large heatsink surface and lightweight
- High thermal conductivity aluminum alloy
- Thermal coating Technology – thermal radiation enhancement
- Fully mechanical components
- Optional E39/40 Connector



#### Applications

- LED Bay Lighting 80-100W

#### Description

The LRS series provides excellent thermal performance and design flexibility for LED lighting applications. The LRS series stamped heatsinks provide lower thermal resistance than traditional extruded, cold forged, and die-cast heatsinks. High aspect ratio fin provides excellent heat transfer capability. Various material finishes are available for enhanced thermal performance.

#### Ordering Information

Model	Finish	Option					
LRS200100	UF	K					
	↓	↓					
	<b>Code</b>	<b>Spec.</b>	<b>Code</b>	<b>Description</b>	<b>Connector</b>	<b>Sleeve</b>	<b>Diffuser</b>
	UF	Non-Finish	Blank	Heatsink only	NA	NA	NA
	TW	Thermal Coating White	K	Heatsink with Accessories	E39/E40	Long	White
			L		E39/E40	Long	Clear
			M		E39/E40	Short	White
			N		E39/E40	Short	Clear
			R		Ring	Long	White
			S		Ring	Long	Clear
			T		Ring	Short	White
			U		Ring	Short	Clear

**General**

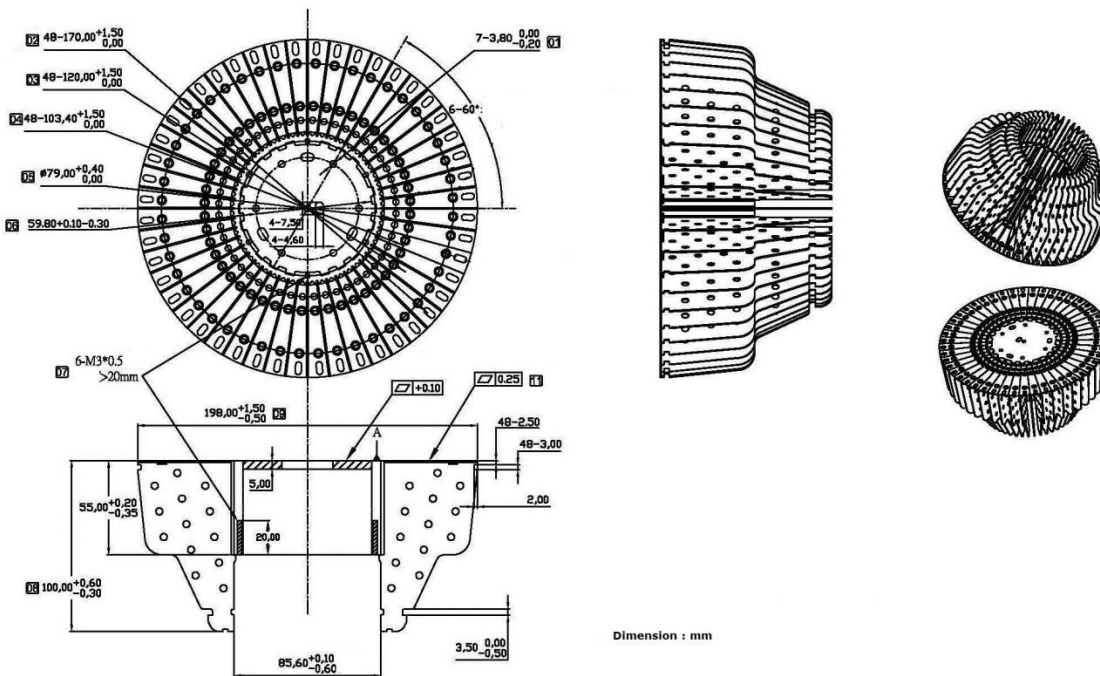
RoHS	Lead-Free. Fully compliant to RoHS Directive 2011/65/EU
Packaging :	Box
Storage Temperature:	-40°C to +150°C

**Performance & Mechanical**

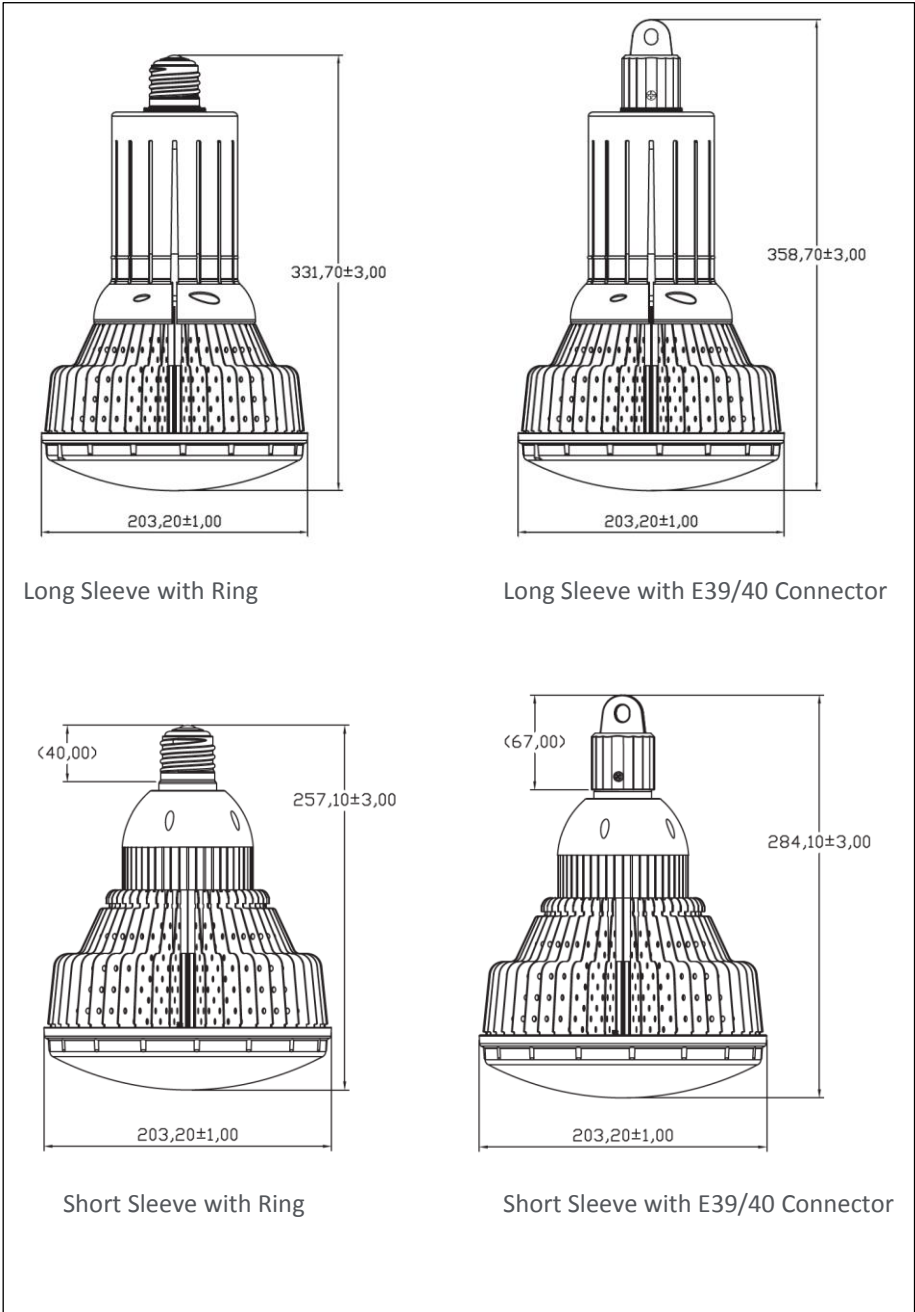
Part Number	*Heat Dissipation	Dimension (mm) D x H	Fin Surface Area (cm <sup>2</sup> )	Weight (kg)	Kit Solution
LRS200100TW	100W	198 x 100	4007	0.7	
LRS200100TWK	100W	203 x 332	4007	1.3	Diffuser, Housing, Connector
LRS200100UF	90W	198 x 100	4007	0.7	
LRS200100U FK	90W	203 x 332	4007	1.3	Diffuser, Housing, Connector

\*Heat Dissipation and Thermal Resistance are based on using discrete LEDs and should be considered for reference only. Actual results may vary due to the LED configuration, the finish chosen, and the environmental conditions.

**Mechanical Specifications**



**Mechanical Specifications**



## X-ON Electronics

Largest Supplier of Electrical and Electronic Components

*Click to view similar products for [Heat Sinks - LED category](#):*

*Click to view products by [CTS manufacturer](#):*

Other Similar products are found below :

[LMH020-HS00-0000-0000002](#) [LRS180150CB](#) [LRS200100TW](#) [LRS200100TWK](#) [LRS285200TW](#) [684S4ST2](#) [LM310-003A99DN](#)  
[LRS180150CBK](#) [LRS285200TWK](#) [098011G](#) [ATS-58000-C1-R0](#) [ATS-58001-C1-R0](#) [ATS-58002-C1-R0](#) [ATS-58003-C2-R0](#) [ATSEU-077A2-C1-R1](#) [ATSEU-077A2-C2-R0](#) [ATSEU-077A2-C5-R0](#) [ATSEU-077A-C3-R0](#) [ATSEU-077A-C4-R0](#) [ATSEU-077A-C6-R0](#) [ATSEU-077B-C1-R0](#) [ATSEU-077B-C2-R0](#) [ATSEU-077B-C3-R0](#) [ATSEU-077B-C4-R0](#) [ATSEU-077B-C5-R0](#) [ATSEU-077B-C6-R0](#) [ATSEU-077C-C1-R0](#) [ATSEU-077C-C2-R0](#) [ATSEU-077C-C3-R0](#) [ATSEU-077C-C4-R0](#) [ATSEU-077C-C5-R0](#) [ATSEU-077C-C6-R0](#) [ATSEU-077D-C1-R0](#) [ATSEU-077D-C2-R0](#) [ATSEU-077D-C3-R0](#) [ATSEU-077D-C4-R0](#) [ATSEU-077D-C5-R0](#) [ATSEU-077D-C6-R0](#) [ATSEU-109-C1-R0](#) [ATSEU-109-C2-R0](#) [ATSEU-110-C1-R0](#) [ATSEU-110-C2-R0](#) [LMH020-HS00-0000-0000001](#) [LMH020-HS00-0000-0000061](#) [LMR020-HS02-0000-0000001](#) [PG1W-12-60-L3BN](#) [45-4586](#) [180289-0000](#) [SA-LED-113E](#) [SA-LED-125E](#)