



LRS285200

High Bay Lighting Kit/ Heatsink Thermal Solution

High Thermal Performance

Features

- Excellent thermal performance – large heatsink surface and lightweight
- High thermal conductivity aluminum alloy
- Thermal coating Technology – thermal radiation enhancement
- Fully mechanical components
- Optional E39/40 Connector



Applications

- LED Bay Lighting 160 - 200W

Description

The LRS series provides excellent thermal performance and design flexibility for LED lighting applications. The LRS series stamped heatsinks provide lower thermal resistance than traditional extruded, cold forged, and die-cast heatsinks. High aspect ratio fin provides excellent heat transfer capability. Various material finishes are available for enhanced thermal performance.

Ordering Information

Model	Finish	Option			
LRS285200	UF	K			
	↓	↓			
	Code	Spec.	Code	Description	Connector Sleeve Diffuser
	UF	No Finish	Blank	Heatsink only	NA NA NA
	TW	Thermal Coating White	K	Heatsink with Accessories	E39/E40 Long White
			L		E39/E40 Long Clear
			M		E39/E40 Short White
			N		E39/E40 Short Clear
			R		Ring Long White
			S		Ring Long Clear
			T		Ring Short White
			U		Ring Short Clear

General

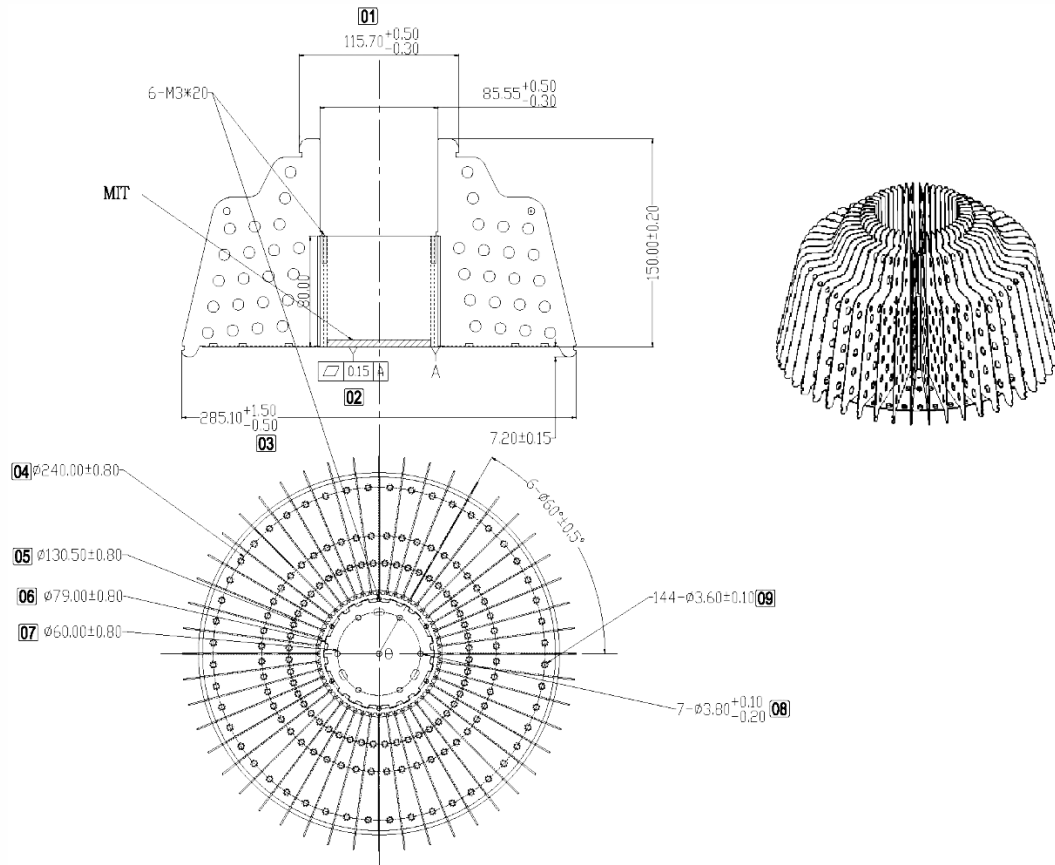
RoHS	Lead-Free. Fully compliant to RoHS Directive 2011/65/EU
Packaging :	Box
Storage Temperature:	-40°C to +150°C

Performance & Mechanical

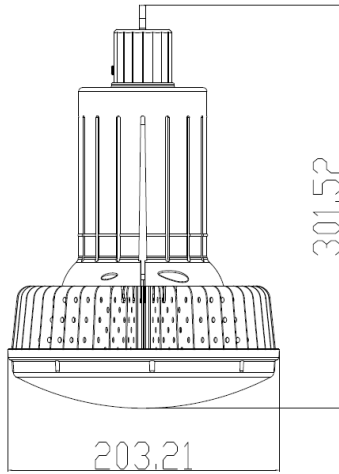
Part Number	*Heat Dissipation	Dimension (mm) D x H	Fin Surface Area (cm ²)	Weight (kg)	Kit Solution
LRS285200TW	200W	285 x 150	9675	1.4	
LRS285200TWK	200W	292 x 404	9675	2.9	Diffuser, Housing, Connector
LRS285200UF	180W	285 x 150	9675	1.4	
LRS285200UFK	180W	292 x 404	9675	2.9	Diffuser, Housing, Connector

*Heat Dissipation and Thermal Resistance are based on using discrete LEDs and should be considered for reference only. Actual results may vary due to the LED configuration, the finish chosen, and the environmental conditions.

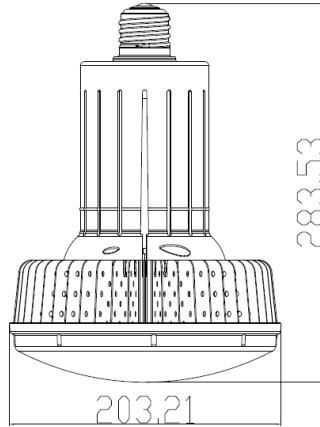
Mechanical Specifications



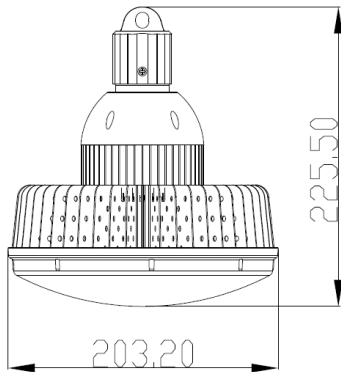
Mechanical Specifications



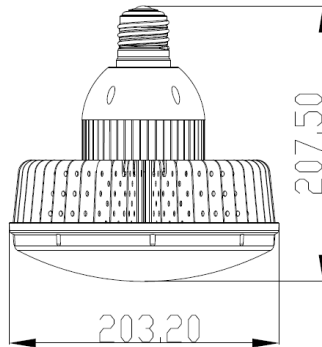
Long Sleeve with Ring



Long Sleeve with E39/40 Connector



Short Sleeve with Ring



Short Sleeve with E39/40 Connector

X-ON Electronics

Largest Supplier of Electrical and Electronic Components

Click to view similar products for [Heat Sinks - LED category](#):

Click to view products by [CTS manufacturer](#):

Other Similar products are found below :

[LMH020-HS00-0000-0000002](#) [LRS180150CB](#) [LRS200100TW](#) [LRS200100TWK](#) [LRS285200TW](#) [684S4ST2](#) [LM310-003A99DN](#)
[LRS180150CBK](#) [LRS285200TWK](#) [098011G](#) [ATS-58000-C1-R0](#) [ATS-58001-C1-R0](#) [ATS-58002-C1-R0](#) [ATS-58003-C2-R0](#) [ATSEU-077A2-C1-R1](#) [ATSEU-077A2-C2-R0](#) [ATSEU-077A2-C5-R0](#) [ATSEU-077A-C3-R0](#) [ATSEU-077A-C4-R0](#) [ATSEU-077A-C6-R0](#) [ATSEU-077B-C1-R0](#) [ATSEU-077B-C2-R0](#) [ATSEU-077B-C3-R0](#) [ATSEU-077B-C4-R0](#) [ATSEU-077B-C5-R0](#) [ATSEU-077B-C6-R0](#) [ATSEU-077C-C1-R0](#) [ATSEU-077C-C2-R0](#) [ATSEU-077C-C3-R0](#) [ATSEU-077C-C4-R0](#) [ATSEU-077C-C5-R0](#) [ATSEU-077C-C6-R0](#) [ATSEU-077D-C1-R0](#) [ATSEU-077D-C2-R0](#) [ATSEU-077D-C3-R0](#) [ATSEU-077D-C4-R0](#) [ATSEU-077D-C5-R0](#) [ATSEU-077D-C6-R0](#) [ATSEU-109-C1-R0](#) [ATSEU-109-C2-R0](#) [ATSEU-110-C1-R0](#) [ATSEU-110-C2-R0](#) [LMH020-HS00-0000-0000001](#) [LMH020-HS00-0000-0000061](#) [LMR020-HS02-0000-0000001](#) [PG1W-12-60-L3BN](#) [45-4586](#) [180289-0000](#) [SA-LED-113E](#) [SA-LED-125E](#)