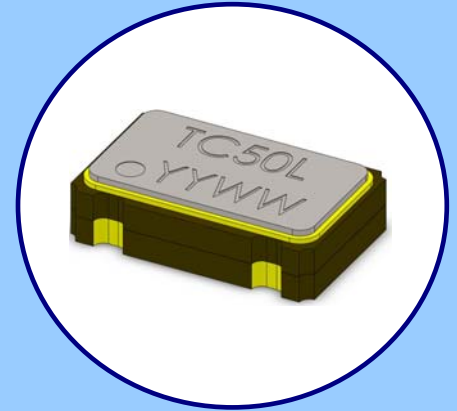




FEATURES

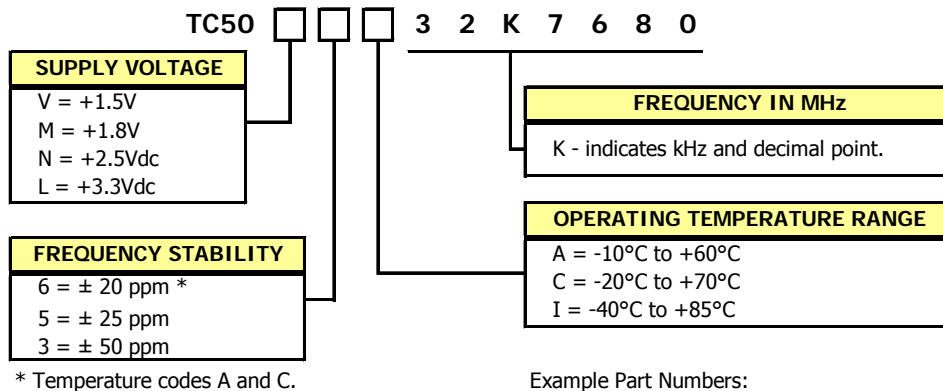
- 32.7680 kHz Frequency Reference
- Package Size 5.0mm x 3.2mm
- Fundamental Crystal Design
- Hermetic Ceramic Package
- Frequency Stability, ± 50 ppm Standard
- Operating Temperature, -40°C to $+85^{\circ}\text{C}$ Standard
- Tape & Reel Packaging, EAI-418
- **RoHS/Green Compliant (6/6)**



APPLICATIONS

Model TC50 is ideal for use in a wide range of communication equipment, measurement equipment, industrial applications, automotive electronics, wireless communications, PDAs, mobile phones and notebooks.

ORDERING INFORMATION

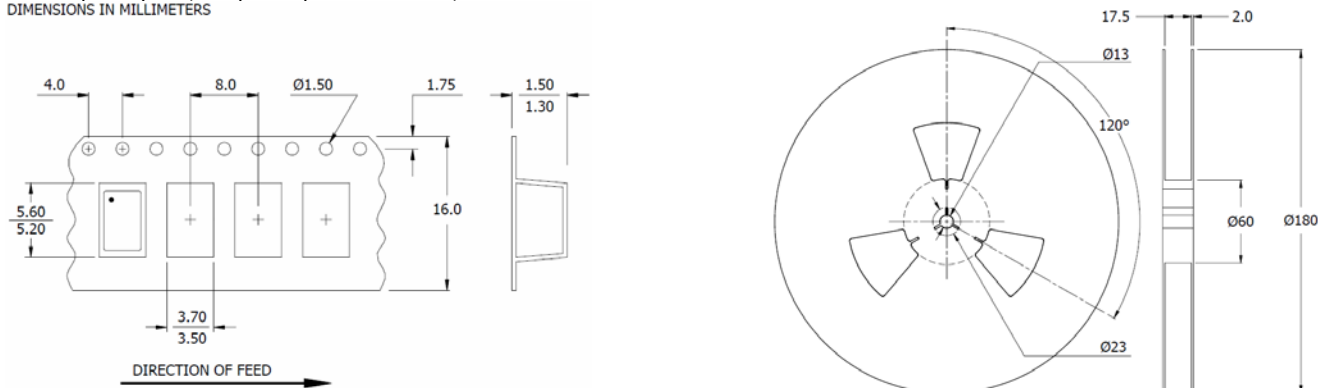


Example Part Numbers:
TC50L3I32K7680
TC50L5I32K7680

**Not all performance combinations and frequencies may be available.
Contact your local CTS Representative or CTS Customer Service for availability.**

PACKAGING INFORMATION [Reference Only]

Device quantity is 1,000 pieces per 180mm reel, EIA-418 standard.
DIMENSIONS IN MILLIMETERS

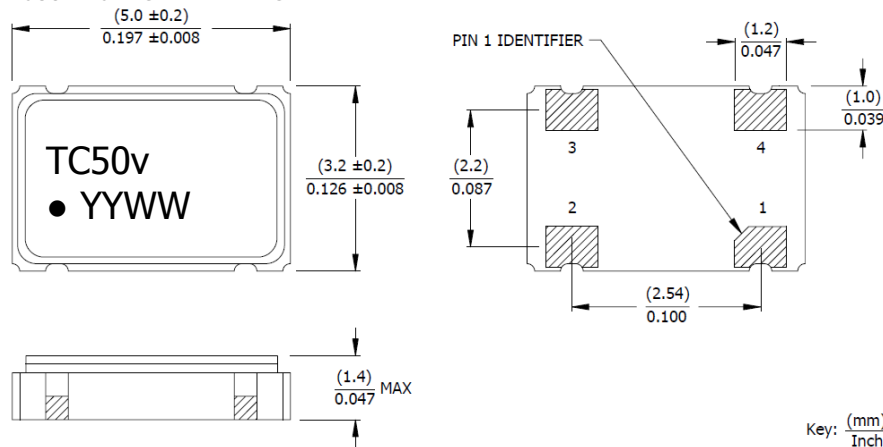


ELECTRICAL CHARACTERISTICS

	PARAMETER	SYMBOL	CONDITIONS	MIN	TYP	MAX	UNIT
ELECTRICAL PARAMETERS	Frequency	f_0			32.7680		kHz
	Operating Mode	-		AT Fundamental			-
	Output Type			CMOS			
	Supply Voltage		$\pm 10\%$	1.5, 1.8, 2.5, 3.3			V
	Current			-	-	3.0	mA
	Frequency Stability		See Ordering Information	20, 25, 50			ppm
	Operating Temperature Range	T_A		-10	-	+60	°C
				-20	-	+70	
				-40	-	+85	
	Load Capacitance	C_L	CMOS	-	15	-	pF
	Voltage Level [V_{OH}]			$0.9V_{CC}$	-	-	V
	Voltage Level [V_{OL}]			-	-	$0.1V_{CC}$	V
	Rise and Fall Time	T_{r}, T_f		-	50	200	ns
	Symmetry			45	-	55	%
	Start-up Time			-	5.0	10	ms
Tri-State Voltage [V_{OL}]			$0.7V_{CC}$	-	-	V	
Tri-State Voltage [V_{OH}]			-	-	$0.3V_{CC}$	V	
Aging	$\Delta f/f_0$	@+25°C, 1st year	-	3.0	5.0	\pm ppm	
Storage Temperature Range	T_{STR}		-55	-	+125	°C	

MECHANICAL SPECIFICATIONS

TC50 PACKAGE DRAWING



MARKING INFORMATION

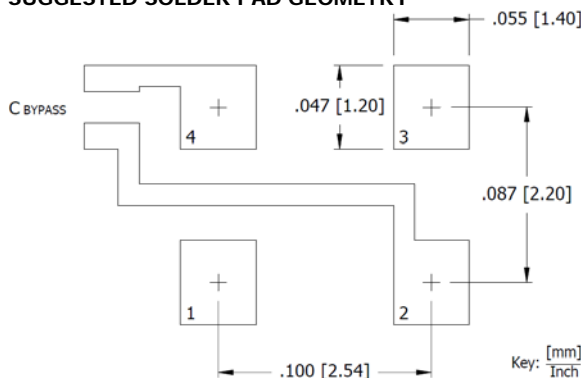
- TC50 – CTS Model Series.
- v – Voltage code.
[L=3.3V, N=2.5V, M=1.8V, V=1.5V]
- – Pin 1 identifier.
- YYWW – Date code, YY – year, WW – week.

Complete CTS part number, frequency value, date code and manufacturing site code information must appear on reel and carton labels.

NOTES

- Termination pads (e4); barrier plating is nickel [Ni] with gold [Au] flash plate.
- Reflow conditions per JEDEC J-STD-020; 260°C maximum, 20 seconds.
- MSL = 1.

SUGGESTED SOLDER PAD GEOMETRY



C_{BYPASS} should be ≥ 0.01 uF.

PIN ASSIGNMENTS

PIN	SYMBOL	DESCRIPTION
1	EOH	Enable Input
2	GND	Circuit & Package Ground
3	Output	RF Output
4	V_{CC}	Supply Voltage

X-ON Electronics

Largest Supplier of Electrical and Electronic Components

Click to view similar products for [Standard Clock Oscillators](#) category:

Click to view products by [CTS](#) manufacturer:

Other Similar products are found below :

[601252](#) [F335-25](#) [F535L-33.333](#) [F535L-50](#) [ECS-2018-160-BN-TR](#) [MXO45HS-2C-66.6666MHZ](#) [SiT1602BI-22-33E-50.000000E](#) [SiT8209AI-32-33E-125.000000](#) [SIT8918AA-11-33S-50.000000G](#) [SM4420TEV-40.0M-T1K](#) [F335-24](#) [F335-40](#) [F535L-10](#) [F535L-12](#) [F535L-16](#) [F535L-24](#) [F535L-27](#) [F535L-48](#) [PE7744DW-100.0M](#) [CSX-750FCC14745600T](#) [ASF1-3.686MHZ-N-K-S](#) [XO57CTECNA3M6864](#) [ECS-2100A-147.4](#) [601251](#) [EP16E7E2H26.000MTR](#) [SIT8918AA-11-33S-16.000000G](#) [XO3003](#) [9120AC-2D2-33E212.500000](#) [9102AI-243N25E100.00000](#) [8208AC-82-18E-25.00000](#) [ASDK2-32.768KHZ-LR-T3](#) [8008AI-72-XXE-24.545454E](#) [8004AC-13-33E-133.33000X](#) [AS-4.9152-16-SMD-TR](#) [ASFL1-48.000MHZ-LC-T](#) [SIT8920AM-31-33E-25.0000](#) [DSC1028DI2-019.2000](#) [9121AC-2C3-25E100.00000](#) [9102AI-233N33E100.00000X](#) [9102AI-233N25E200.00000](#) [9102AI-232H25S125.00000](#) [9102AI-133N25E200.00000](#) [9102AC-283N25E200.00000](#) [9001AC-33-33E1-30.000](#) [3921AI-2CF-33NZ125.000000](#) [5730-1SF](#) [PXA000010](#) [8003AI-12-33S-40.00000Y](#) [1602BI-13-33S-19.200000E](#) [8208AI-2F-18E-25.000000X](#)