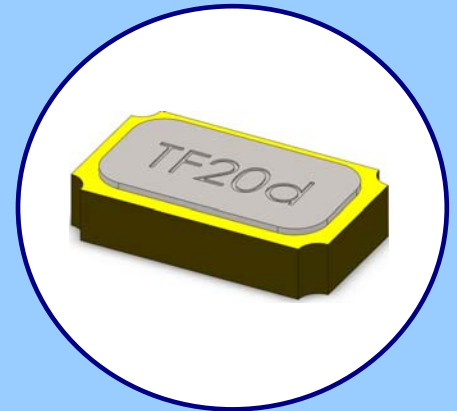




**FEATURES**

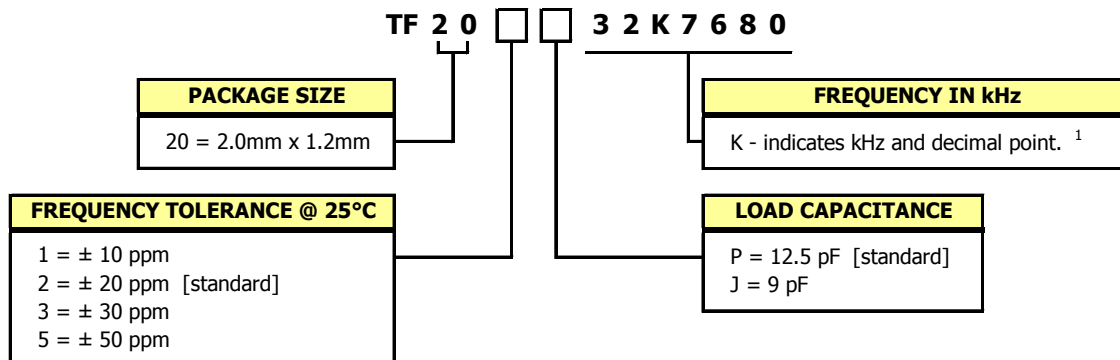
- **32.7680 kHz Frequency Reference**
- **Package Size 2.0mm x 1.2mm**
- **Tuning Fork Crystal Design**
- **Hermetic Ceramic Package**
- Frequency Tolerance,  $\pm 20$  ppm Standard  
[ $\pm 10$  ppm,  $\pm 30$  ppm and  $\pm 50$  ppm available]
- Frequency Temperature Coefficient,  $-0.030\text{ppm}/^\circ\text{C}^2$
- Operating Temperature,  $-40^\circ\text{C}$  to  $+85^\circ\text{C}$  Standard
- Tape & Reel Packaging
- **RoHS/Green Compliant (6/6)**



**APPLICATIONS**

The TF20 crystal series is ideal for use in a wide range of communication equipment, measurement equipment, industrial applications, automotive electronics, wireless communications, PDAs, mobile phones and notebooks.

**ORDERING INFORMATION**



Example Part Numbers:  
TF202P32K7680  
TF202J32K7680

1] Frequency is recorded with two leading digits before the 'K' and 4 significant digits after the 'K' (including zeros).

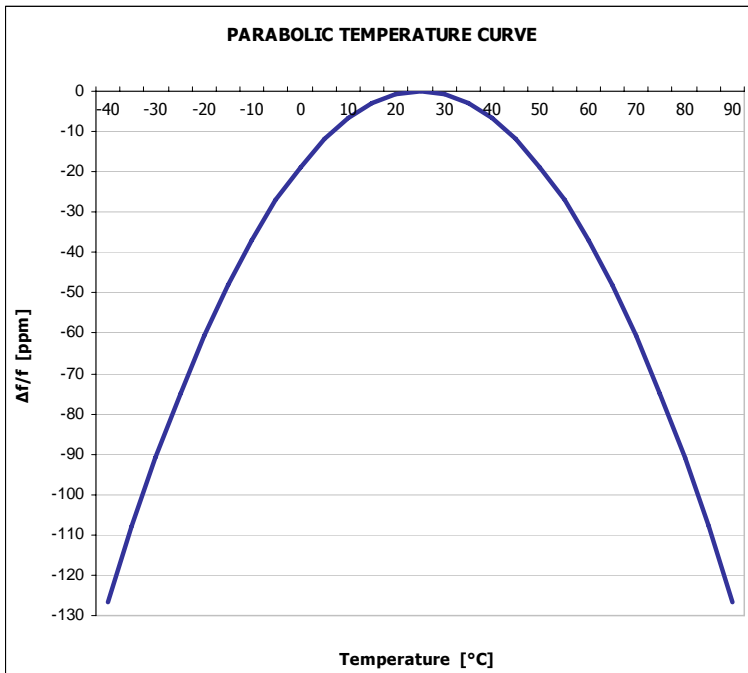
**Not all performance combinations and frequencies may be available.  
Contact your local CTS Representative or CTS Customer Service for availability.**

**ELECTRICAL CHARACTERISTICS**

	PARAMETER	SYMBOL	CONDITIONS	MIN	TYP	MAX	UNIT
<b>ELECTRICAL PARAMETERS</b>	Frequency	$f_0$			32.7680		kHz
	Operating Mode	-		Flexural Mode [Tuning Fork]			-
	Frequency Tolerance @ +25°C *	$\Delta f/f_0$		-	20	-	± ppm
	Frequency Temperature Coefficient	$\Delta f/f_M$		-0.030 ±0.01ppm/°C <sup>2</sup>			-
	Frequency Stability			See Figure 1			
	Operating Temperature Range	$T_A$		-40	-	+85	°C
	Turnover Temperature	$T_M$	±5°C	-	+25	-	°C
	Load Capacitance *	$C_L$	Standard	-	12.5	-	pF
	Aging	$\Delta f/f_0$	@+25°C, 1st year	-	-	3.0	± ppm
	Drive Level	DL		-	0.1	0.5	µW
	Shunt Capacitance	$C_0$	@1 MHz	-	-	7.0	pF
	Motional Capacitance	$C_1$		-	7.0	-	fF
	Series Resistance	$R_1$		-	-	90	k Ohms
	Insulation Resistance	$R_i$	+100Vdc ±15Vdc	500	-	-	M Ohms
Storage Temperature Range	$T_{STR}$		-55	-	+125	°C	

\* See Ordering Information for available options.

**FIGURE 1**



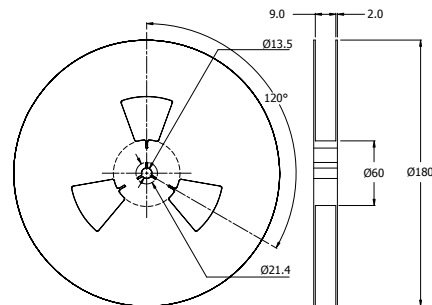
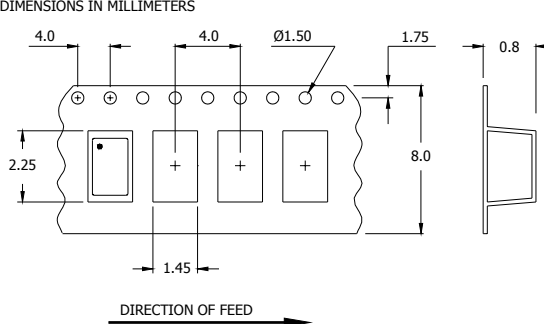
Frequency stability [ppm] is determined using parabolic curve,  $\Delta f = \text{Temperature Coefficient}(T_A - T_M)^2$ .

Ex. Find frequency stability at  $T_A = 45^\circ\text{C}$   
 $\Delta f = -0.030(45-25)^2$   
 $\Delta f = -0.030(20)^2$   
 $\Delta f = -12.0 \text{ ppm}$

**PACKAGING INFORMATION**

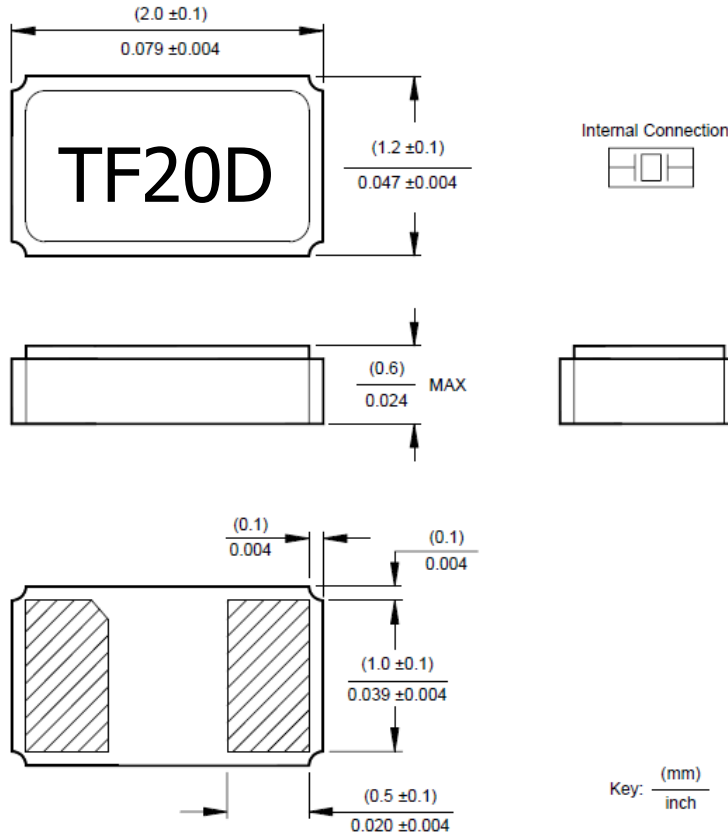
Per standard EIA-418. Device quantity is 3,000 pieces per 180mm reel.

DIMENSIONS IN MILLIMETERS



**MECHANICAL SPECIFICATIONS**

**TF20 PACKAGE DRAWING**



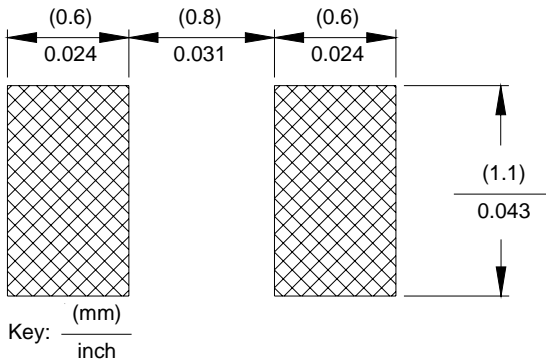
**MARKING INFORMATION**

1. TF20 - CTS Model Series.
2. D – Date code. See Table I for codes.

**TABLE I – DATE CODE**

YEAR \ MONTH					JAN	FEB	MAR	APR	MAY	JUN	JUL	AUG	SEP	OCT	NOV	DEC
					A	B	C	D	E	F	G	H	J	K	L	M
2001	2005	2009	2013	2017	N	P	Q	R	S	T	U	V	W	X	Y	Z
2002	2006	2010	2014	2018	a	b	c	d	e	f	g	h	j	k	l	m
2003	2007	2011	2015	2019	n	p	q	r	s	t	u	v	w	x	y	z
2004	2008	2012	2016	2020												

**SUGGESTED SOLDER PAD GEOMETRY**



**NOTES**

1. Complete CTS part number, frequency value, date code and manufacturing site code information must appear on reel and carton labels.
2. Termination pads (e4); barrier plating is nickel [Ni] with gold [Au] flash plate.
3. Reflow conditions per JEDEC J-STD-020; 260°C maximum, 20 seconds.

## X-ON Electronics

Largest Supplier of Electrical and Electronic Components

*Click to view similar products for [Crystals](#) category:*

*Click to view products by [CTS](#) manufacturer:*

Other Similar products are found below :

[CS325S24000000ABJT](#) [718-13.2-1](#) [MC405 32.0000K-R3:PURE SN](#) [FC-135R 32.7680KF-A3](#) [7A-40.000MAAE-T](#) [7B-27.000MBBK-T](#)  
[FL2000085](#) [9B-15.360MBBK-B](#) [9C-7.680MBBK-T](#) [ASH7K-32.768KHZ](#) [AT-41.600MAGQ-T](#) [BTD1062E05A-513](#) [LFX TAL066198Cutt](#)  
[9C-14.31818MBBK-T](#) [FA-238 50.0000MB30X-K3](#) [FC-12M 32.7680KA-AC3](#) [SSPT7F-9PF20-R](#) [FX325BS-38.88EEM1201](#)  
[LFX TAL065253Cutt](#) [LFX TAL066431Cutt](#) [XT9S20ANA14M7456](#) [XT9SNLANA16M](#) [646G-24-2](#) [7A-24.576MBBK-T](#) [7B-30.000MBBK-T](#)  
[WX26-32.768K-6PF](#) [9B-14.31818MBBK-B](#) [CD1AM](#) [7B-25.000MAAE-T](#) [7A-14.31818MBBK-T](#) [6504-202-1501](#) [6526-202-1501](#) [FA-118T](#)  
[27.1200MB50P-K0](#) [FC-135R 32.7680KA-A3](#) [ABM12-104-37.400MHZT](#) [ABLS-10.000MHZ-D3W-T](#) [BTJ112E01E-513](#) [BTJ722K01C-7067](#)  
[BTL-20-513](#) [TSX-3225 24.0000MF15X-AC](#) [TSX-3225 16.0000MF18X-AC](#) [BTJ120E02C](#) [BTL-12-513](#) [7A-10.000MBBK-T](#) [7A-](#)  
[11.0592MBBK-T](#) [ABM12-103-24.000MHZT](#) [CS325S25000000ABJT](#) [ABM3B-25.000MHZ-B2-X-T](#) [FC-135 32.7680KA-A5](#) [FX0800015](#)