

TFPM Series

Tuning Fork Crystal

Features

- 32.7680kHz Frequency Reference
- Tuning Fork Crystal Design
- Plastic Molded Surface Mount Package
- Compatible to Citizen CM200C/S and Epson MC-306
- Frequency Tolerance, ± 20 ppm Standard
- Parabolic Temperature Coefficient
- Tape and Reel Packaging, EIA-418



Part Dimensions:
8.0 × 3.8 × 2.5mm • 145.1782mg

RoHS Compliant in Accordance with EU Directive 2011/65/EU

- Lead-Free Termination Finish
- Exemption 7(a), Lead [Pb] in high melting temperature type solders

Applications

- Real Time Clock Reference
- FPGAs & Microcontrollers
- Wireless Communications
- Consumer Electronics
- Computer Peripherals
- IoT Applications
- Instrumentation
- Industrial Electronics

Description

CTS TFPM Series is ideal for supporting wide range of electronic designs requiring a Real Time Clock reference. This series will support general commercial and industrial applications.

Ordering Information

| Model | | Frequency Tolerance | Load Capacitance | Frequency Code [kHz] | Packaging |
|--------------|-------------------------------|-----------------------------|-------------------------------------|----------------------|-----------|
| TF | PM | 2 | P | 32K7680 | R |
| Code Package | | Code Capacitance | | Code Packing | |
| PM | 8.0x3.8mm [Plastic Molded] | P | 12.5pF | R 3k pcs./reel | |
| | | T | 6pF | | |
| | | Code @ +25°C | Code Frequency | | |
| | | 2 ± 20 ppm | Product Frequency Code ² | | |
| | | 1 ± 10 ppm ¹ | | | |

Notes:

- 1] Check factory for availability.
- 2] Frequency is recorded with two leading digits before the 'K' and 4 significant digits after the 'K' [including zeros].

Not all performance combinations and frequencies may be available.
Contact your local CTS Representative or CTS Customer Service for availability.

This product is specified for use only in standard commercial applications. Supplier disclaims all express and implied warranties and liability in connection with any use of this product in any non-commercial applications or in any application that may expose the product to conditions that are outside of the tolerances provided in its specification.

Electrical Specifications

Operating Conditions

| PARAMETER | SYMBOL | CONDITIONS | MIN | TYP | MAX | UNIT |
|-----------------------|-----------|------------|-----|-----|------|------|
| Operating Temperature | T_A | - | -40 | +25 | +85 | °C |
| Turnover Temperature | T_M | - | +20 | +25 | +30 | °C |
| Storage Temperature | T_{STG} | - | -55 | - | +125 | °C |

Frequency Stability

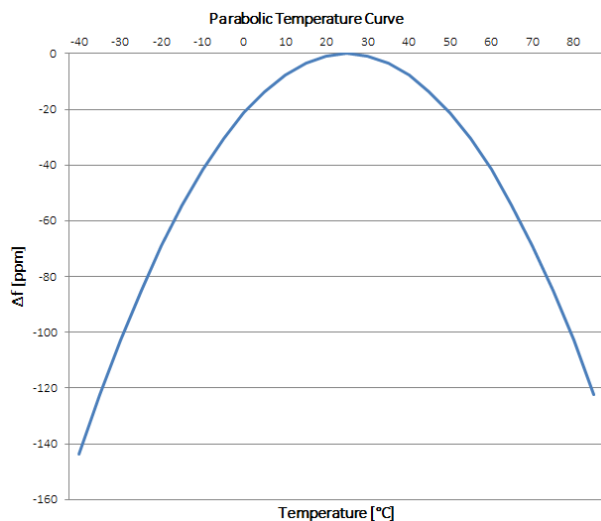
| PARAMETER | SYMBOL | CONDITIONS | MIN | TYP | MAX | UNIT |
|---------------------------------|----------------|--------------------|-----|---------------|-----|---------------------|
| Frequency | f_0 | - | | 32.7680 | | kHz |
| Frequency Tolerance [Note 1] | $\Delta f/f_0$ | Standard @ +25°C | -20 | - | 20 | ppm |
| Parabolic Coefficient | β | See Figure 1 | | -0.034 ±0.006 | | ppm/°C ² |
| Aging | $\Delta f/f_0$ | First Year @ +25°C | -3 | - | 3 | ppm |

Crystal Parameters

| PARAMETER | SYMBOL | CONDITIONS | MIN | TYP | MAX | UNIT |
|------------------------------|--------|----------------|-----|-----------------------------|-----|------|
| Operating Mode | - | - | | Flexural Mode [Tuning Fork] | | - |
| Load Capacitance [Note 1] | C_L | Standard | - | 12.5 | - | pF |
| Shunt Capacitance | C_0 | - | - | 1.35 | - | pF |
| Motional Capacitance | C_1 | - | - | 1.8 | - | fF |
| Series Resistance | R_1 | - | - | - | 50 | kΩ |
| Drive Level | DL | - | - | 0.5 | 1.0 | μW |
| Insulation Resistance | R_i | +100Vdc ±15Vdc | 500 | - | - | MΩ |

1.] See Ordering Information for available options.

Figure 1



Frequency Stability [Δf] at a given temperature,

$$\Delta f = \beta [T_A - T_M]^2$$

β = Parabolic Coefficient
 T_A = Ambient Temperature
 T_M = Turnover Temperature

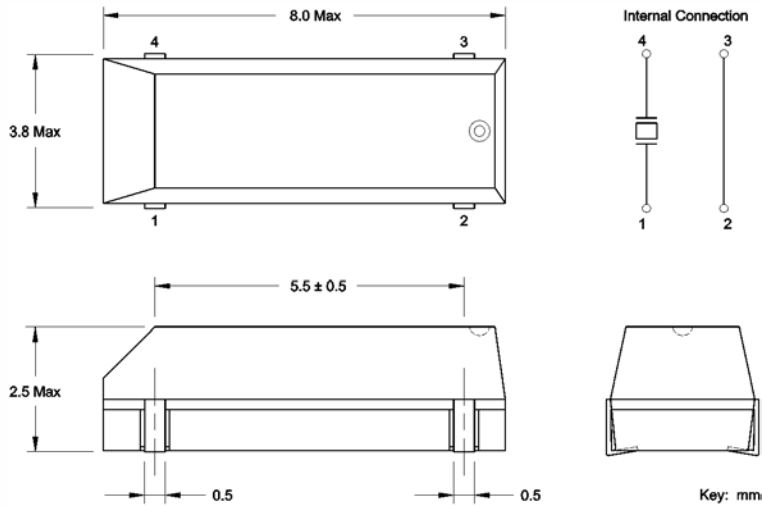
Ex. Find frequency stability at $T_A = +45^\circ\text{C}$

$$\begin{aligned} \Delta f &= -0.034[45-25]^2 \\ \Delta f &= -0.034[20]^2 \\ \Delta f &= -13.6\text{ppm} \end{aligned}$$

Mechanical Specifications

Package Drawing

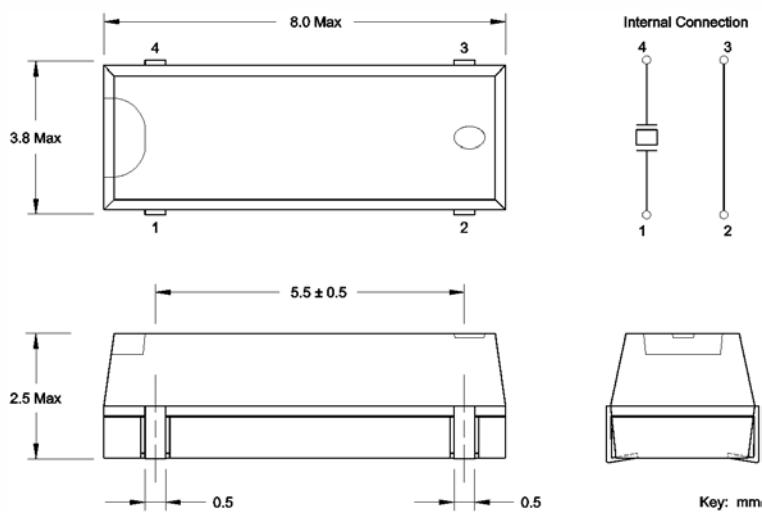
Format A



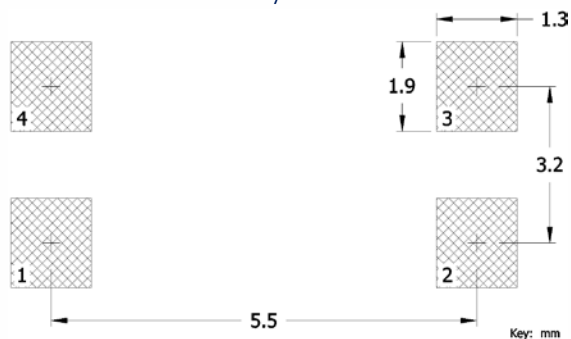
Marking Information

Contact factory for marking formats that apply to this model series.

Format B



Recommended Pad Layout

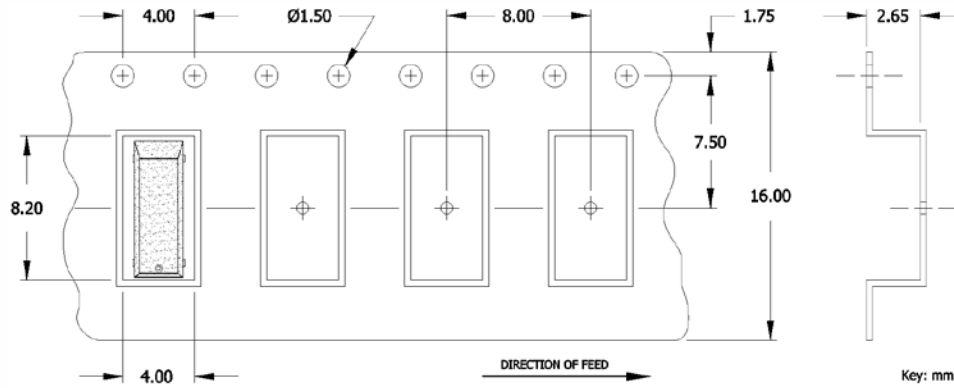


Notes

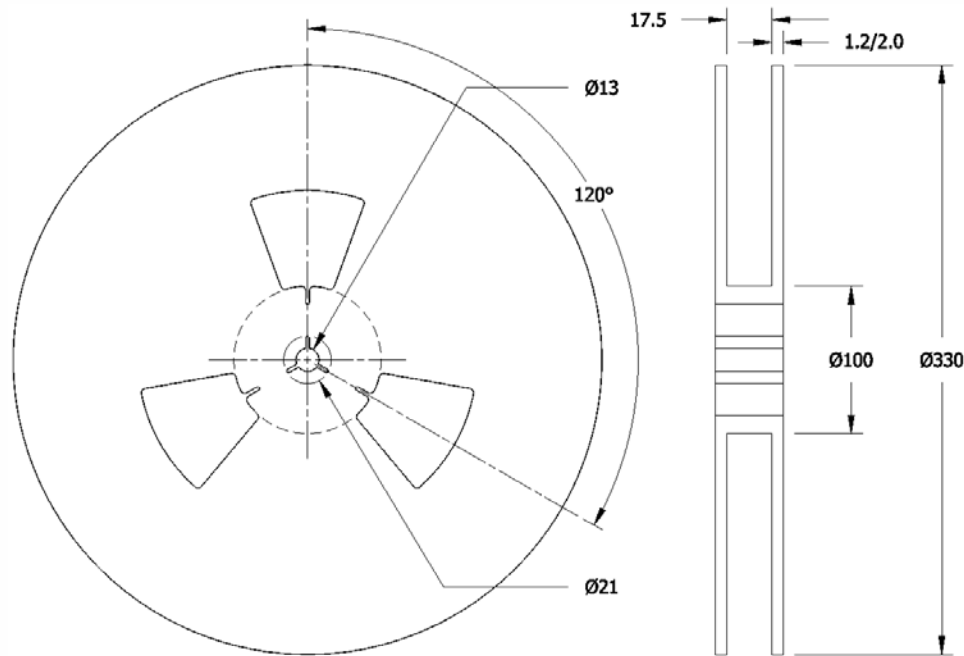
1. JEDEC termination code (e3). Barrier-plating is nickel [Ni] with tin [Sn] plate.
2. Reflow conditions per JEDEC J-STD-020; +260°C maximum, 10 seconds.
3. MSL = 1.

Packaging - Tape and Reel

Tape Drawing



Reel Drawing



Notes

1. Device quantity is 3k pieces maximum per 330mm reel.
2. Complete CTS part number, frequency value, date code and manufacturing site code information must appear on reel and carton labels.

X-ON Electronics

Largest Supplier of Electrical and Electronic Components

Click to view similar products for [Crystals](#) category:

Click to view products by [CTS](#) manufacturer:

Other Similar products are found below :

[MC405 32.0000K-R3:PURE SN](#) [7A-40.000MAAE-T](#) [MP1-8.0 99-BU](#) [9B-15.360MBBK-B](#) [PTX-A2JM-10.000M](#) [9C-7.680MBBK-T](#) [H10S-12.000-18-EXT-TR](#) [R38-32.768-12.5-5PPM-NPB](#) [BTD1062E05A-513](#) [21U15A-21.4MHZ](#) [RTX-781DF1-S-20.950](#) [LFXTAL066198Cutt](#) [9C-14.31818MBBK-T](#) [A-11.000MHZ-27](#) [SPT2A-.032768B](#) [SPT2A.032768G](#) [SSPT7F-9PF20-R](#) [FX325BS-38.88EEM1201](#) [MP-1-25.000MHZ-3L](#) [MP-1-6.000MHZ](#) [LFXTAL065253Cutt](#) [LFXTAL066431Cutt](#) [XT9S20ANA14M7456](#) [XT9SNLANA16M](#) [646G-24-2](#) [7A-24.576MBBK-T](#) [7B-30.000MBBK-T](#) [7A-14.31818MBBK-T](#) [6526-202-1501](#) [BTJ120E02C](#) [SG636PCE-20.000MC](#) [3404](#) [CM315D32768EZFT](#) [C1E-24.000-7-2020-R](#) [C1E-19.200-12-1530-X-R](#) [C1E-16.000-12-1530-X-R](#) [ABM11-16.000MHZ-9-B1U-T](#) [FL5000014](#) [EUCA18-3.1872M](#) [425F35E027M0000](#) [17196](#) [MS3V-T1R-32.768kHz-7pF-20PPM-TA-QC-Au](#) [VXM7-1C1-16M000](#) [MS1V-T1K-32.768kHz-10pF-20PPM-TA-QC-Au](#) [MS3V-T1R-32.768kHz-9pF-20PPM-TA-QC-Au](#) [ECS-80-18-30-JGN-TR](#) [17000](#) [17301](#) [16875](#)