

VF3

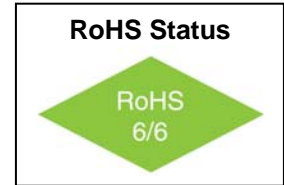
XO Low Jitter

5x7mm SMD, HCMOS-TTL



Features

- HCMOS – TTL Compatible
- 3.3V Supply Voltage
- ±5% Duty Cycle
- Tristate control standard



Electrical Specifications

Parameter	Symbol	Condition	Min	Typ	Max	Unit	Note
Frequency Range	F		0.012		133	MHz	
Frequency Stability	$\Delta F/F$	Overall conditions including: calibration, temp., aging 10 yrs, shock, vibration			±100	ppm	See Table 1
Input Voltage	Vcc		3.15	3.30	3.45	V	
Input Current	Icc	0.012MHz ≤ Fo < 0.048MHz 0.048MHz ≤ Fo < 1.5MHz 1.5MHz ≤ Fo < 20MHz 20MHz ≤ Fo < 50MHz 50MHz ≤ Fo < 70MHz 70MHz ≤ Fo < 125MHz 125MHz ≤ Fo < 133MHz			5 5 7 20 30 30 40	mA	
Load	10 LSTTL gates or 15pF Typ, 30pF Max.						
Duty Cycle		@50% Vcc	45	50	55	%	
Rise / Fall Time	Tr/Tf	0.012MHz ≤ Fo < 1.0MHz 1.0MHz ≤ Fo < 20MHz 20MHz ≤ Fo < 50MHz 50MHz ≤ Fo < 70MHz 70MHz ≤ Fo < 125MHz 125MHz ≤ Fo < 133MHz			200 10 6 3 3 3	ns	
Logic "1" Level	Voh	Max Load	0.9Vcc			V	
Logic "0" Level	Vol	Max Load			0.1Vcc	V	
Start-up Time	Ts			3	10	ms	
Phase Jitter		1σ		0.5	1	ps	fj>1KHz
Tristate Function	Input HIGH (>2.5V) or floating: Active Input LOW (0.5V): Infinite Impedance						



VF3
XO Low Jitter
5x7mm SMD, HCMOS-TTL



Absolute Maximum Ratings

Parameter	Symbol	Condition	Min	Typ	Max	Unit	Note
Input Break Down Voltage	V _{cc}		-0.5		7.0	V	
Storage Temp.	T _s		-55		+125	°C	

Environmental and Mechanical Conditions

Parameter	Condition
Operating Temperature Range	-10°C to +70°C (-40°C to +85°C available)
Mechanical Shock	Per MIL-STD-202, Method 213, Cond. E
Thermal Shock	Per MIL-STD-883, Method 1011, Cond. A
Vibration	Per MIL-STD-883, Method 2007, Cond. A
Soldering Conditions	260°C for 10s Max., or 230°C for 90s
Hermetic Seal	Leak rate less than 5 x 10 ⁻⁸ atm.cc/s of helium
Flammability	UL94V-0 flame resistant
Terminal Finish	2micron Gold over 60 micron Nickel

Available Frequency Stabilities over Operating Temperature Ranges

Code	Temperature Range	B	A	S
		±50ppm	±25ppm	±20ppm
	-10°C to 70°C	*	*	○
1	-40°C to 85°C	*	*	○

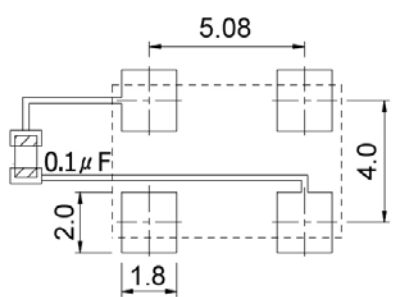
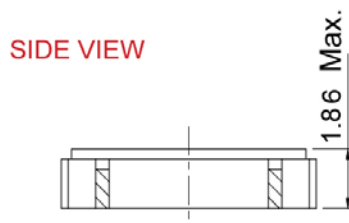
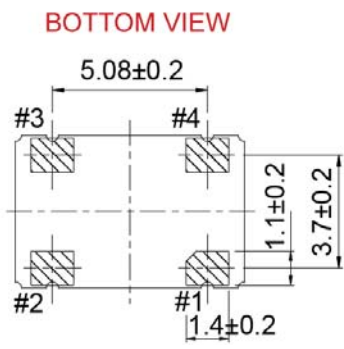
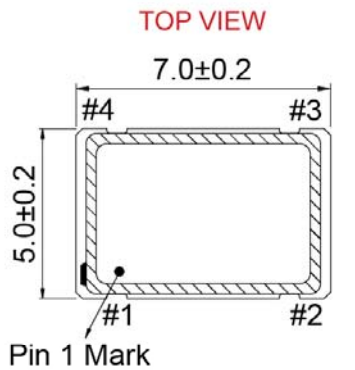
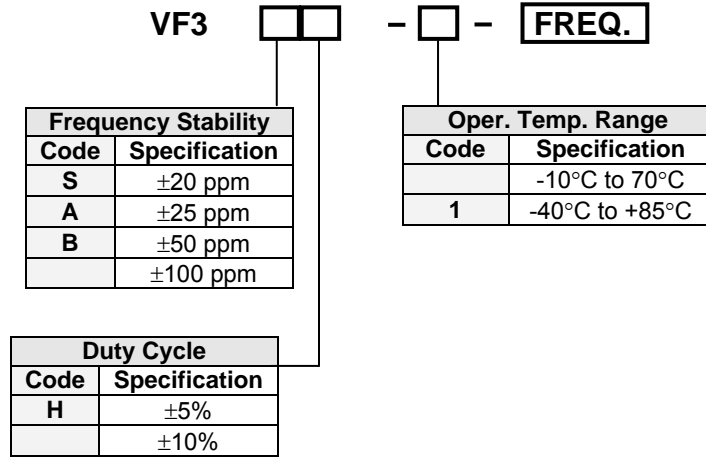
* Includes aging

○ Does not include aging



VF3
XO Low Jitter
5x7mm SMD, HCMOS-TTL

How to Order



Pin #	Connection
Pin 1	Tristate Control
Pin 2	Ground
Pin 3	Output
Pin 4	Vcc

UNIT: mm

X-ON Electronics

Largest Supplier of Electrical and Electronic Components

Click to view similar products for [Standard Clock Oscillators](#) category:

Click to view products by [CTS](#) manufacturer:

Other Similar products are found below :

[601252](#) [F335-25](#) [F535L-33.333](#) [F535L-50](#) [ECS-2018-160-BN-TR](#) [MXO45HS-2C-66.6666MHZ](#) [SiT1602BI-22-33E-50.000000E](#) [SiT8209AI-32-33E-125.000000](#) [SIT8918AA-11-33S-50.000000G](#) [SM4420TEV-40.0M-T1K](#) [F335-24](#) [F335-40](#) [F535L-10](#) [F535L-12](#) [F535L-16](#) [F535L-24](#) [F535L-27](#) [F535L-48](#) [PE7744DW-100.0M](#) [CSX-750FCC14745600T](#) [ASF1-3.686MHZ-N-K-S](#) [XO57CTECNA3M6864](#) [ECS-2100A-147.4](#) [601251](#) [EP16E7E2H26.000MTR](#) [SIT8918AA-11-33S-16.000000G](#) [XO3003](#) [9120AC-2D2-33E212.500000](#) [9102AI-243N25E100.00000](#) [8208AC-82-18E-25.00000](#) [ASDK2-32.768KHZ-LR-T3](#) [8008AI-72-XXE-24.545454E](#) [8004AC-13-33E-133.33000X](#) [AS-4.9152-16-SMD-TR](#) [ASFL1-48.000MHZ-LC-T](#) [SIT8920AM-31-33E-25.0000](#) [DSC1028DI2-019.2000](#) [9121AC-2C3-25E100.00000](#) [9102AI-233N33E100.00000X](#) [9102AI-233N25E200.00000](#) [9102AI-232H25S125.00000](#) [9102AI-133N25E200.00000](#) [9102AC-283N25E200.00000](#) [9001AC-33-33E1-30.000](#) [3921AI-2CF-33NZ125.000000](#) [5730-1SF](#) [PXA000010](#) [8003AI-12-33S-40.00000Y](#) [1602BI-13-33S-19.200000E](#) [8208AI-2F-18E-25.000000X](#)