

**SERIES:** TBP01P1-508 | **DESCRIPTION:** TERMINAL BLOCK

**FEATURES**

- 2~24 poles
- 180° insertion entry
- retention latch
- 5.08 mm pitch
- UL and CE safety approvals



**SPECIFICATIONS**

parameter	conditions/description	min	typ	max	units
rated voltage (per contact)	UL			300	V
	IEC			320	V
rated current (per contact)	UL			16	A
	IEC			20	A
withstanding voltage			2500		Vac
surge voltage				4000	V
contact resistance				20	mΩ
insulation resistance	at 500 Vdc	500			MΩ
operating temperature		-40		105	°C
safety approvals	UL 1059, EN 60998-1:2004, EN 60998-2-1:2004				
flammability rating	UL94V-0				
RoHS	yes				

**PART NUMBER KEY**

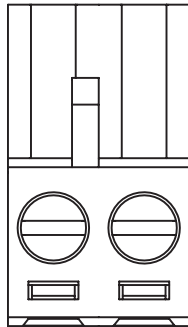
**TBP01P1-508 - XX XX**

Base Number	No. of Poles:	Color:
	02 14	BE = blue
	03 15	GR = green
	04 16	OR = orange
	05 17	YL = yellow
	06 18	GY = gray
	07 19	BK = black
	08 20	
	09 21	
	10 22	
	11 23	
	12 24	
	13	

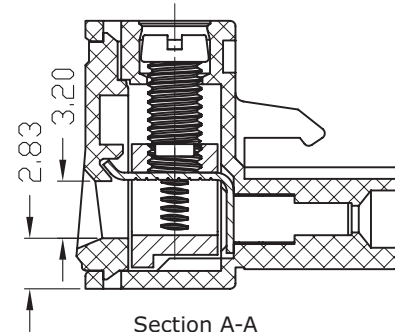
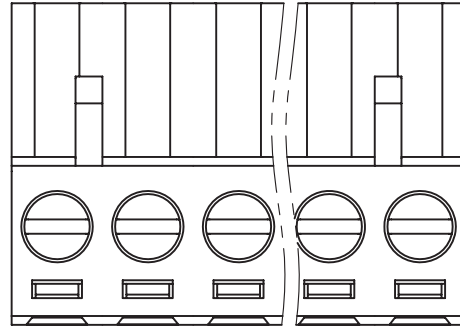
## MECHANICAL DRAWING

units: mm  
 tolerance (per module):  
 $X \leq 6.00$ :  $\pm 0.25$  mm  
 $6.00 < X \leq 30.00$ :  $\pm 0.40$  mm  
 $30.00 < X \leq 60.00$ :  $\pm 0.60$  mm  
 $60.00 < X \leq 150.00$ :  $\pm 1.00$  mm  
 unless otherwise noted

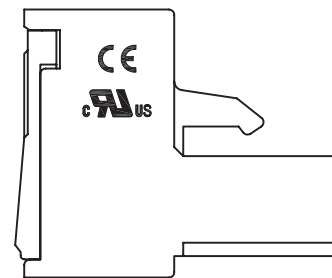
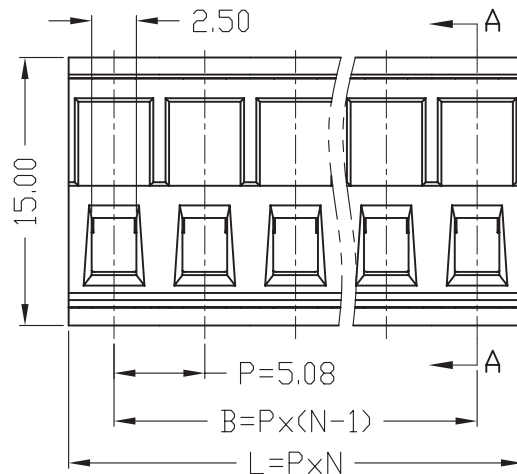
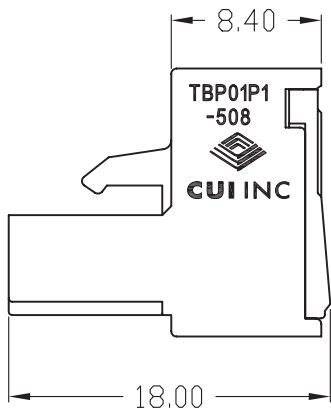
DESCRIPTION	MATERIAL	PLATING/COLOR
housing	PA66 (UL94V-0)	
contacts	copper alloy	nickel
wire screws	steel	zinc
block	copper alloy	nickel



2 Pole Module



Section A-A



WIRE ASSEMBLY		
	UL	IEC
Wire Range	28~12 AWG	2.5 mm <sup>2</sup>
Strip Length	7 mm	
Screw Size	M3	
Screw Torque	0.5 N·m	

This series is constructed of single piece modules where L is the total length, P is the pitch, and N is the number of poles.

N	02	03	04	05	06	07	08	09	10	11	12	13
L	10.16	15.24	20.32	25.40	30.48	35.56	40.64	45.72	50.80	55.88	60.96	66.04
B	5.08	10.16	15.24	20.32	25.40	30.48	35.56	40.64	45.72	50.80	55.88	60.96
N	14	15	16	17	18	19	20	21	22	23	24	--
L	71.12	76.20	81.28	86.36	91.44	96.52	101.60	106.68	111.76	116.84	121.92	--
B	66.04	71.12	76.20	81.28	86.36	91.44	96.52	101.60	106.68	111.76	116.84	--

## REVISION HISTORY

---

rev.	description	date
1.0	initial release	03/27/2019

The revision history provided is for informational purposes only and is believed to be accurate.



**CUI INC**<sup>®</sup>

**Headquarters**  
20050 SW 112th Ave.  
Tualatin, OR 97062  
**800.275.4899**

Fax 503.612.2383  
**cui.com**  
techsupport@cui.com

CUI offers a one (1) year limited warranty. Complete warranty information is listed on our website.

CUI reserves the right to make changes to the product at any time without notice. Information provided by CUI is believed to be accurate and reliable. However, no responsibility is assumed by CUI for its use, nor for any infringements of patents or other rights of third parties which may result from its use.

CUI products are not authorized or warranted for use as critical components in equipment that requires an extremely high level of reliability. A critical component is any component of a life support device or system whose failure to perform can be reasonably expected to cause the failure of the life support device or system, or to affect its safety or effectiveness.

## X-ON Electronics

Largest Supplier of Electrical and Electronic Components

*Click to view similar products for [Modules Accessories](#) category:*

*Click to view products by [Boundary Devices](#) manufacturer:*

Other Similar products are found below :

[7010-0001](#) [F1UL16RISER2](#) [PEX-CABLEAD-KIT-8732](#) [AX98219](#) [iRIS-1010-R10](#) [A1UL8RISER](#) [F1UJPMICRISER](#) [FHW1U16RISER](#) [20-101-0440](#) [MBCDROM](#) [AX61221TM](#) [VM-105](#) [1000-PM](#) [76000958](#) [XPC100A002-01-B](#) [690-1002](#) [96HD500G-ST-WD7KE](#) [AMO-R022E](#) [RK-210E-B](#) [cPCIS-6400UA/AC](#) [E226171106](#) [AX60501WB](#) [88606200030E](#) [96RACK-3-SS-CR-B1](#) [UTC-300P-M10E](#) [UNO-2000G-VMKAE](#) [SI-HDMI-EDID-EM](#) [96HD3T-ST-SG7K](#) [AMO-I013E](#) [S10A-93-S10A6-001](#) [PWS-870-UCOVER00E](#) [PWS-770-VMOUNT00E](#) [PWS-870-CHDC00E](#) [MIT-W101-ACCDSW01E](#) [MIC-75M40-00A1E](#) [MIC-75M13-00A1E](#) [FPM-1000T-SMKE](#) [ASMB-FF404-04A1E](#) [AMK-V008E](#) [AMK-V005E](#) [AMK-R004E](#) [9896025601E](#) [96HD1TB-ST-WD7KE1](#) [96FMCF-ST2ADAPTER1](#) [9680015843](#) [1960030475S200](#) [1931031500](#) [AHWKPTP12GBGB](#) [850-13106](#) [P4304XXMUXX](#)