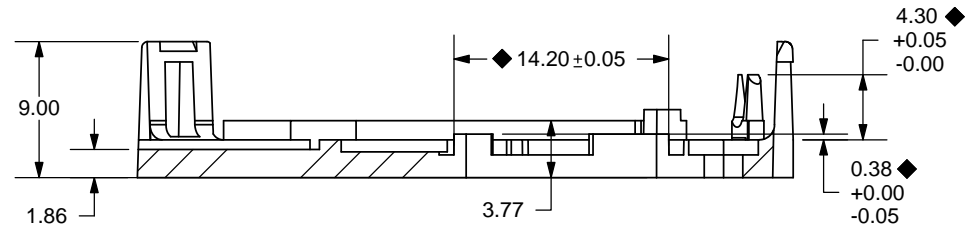
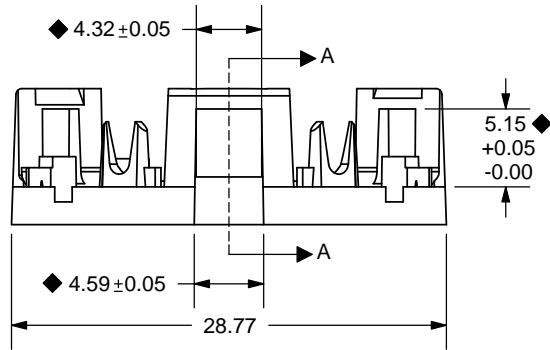
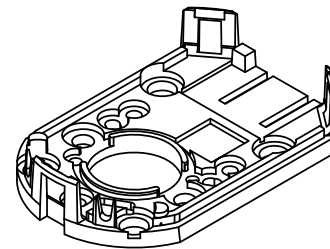
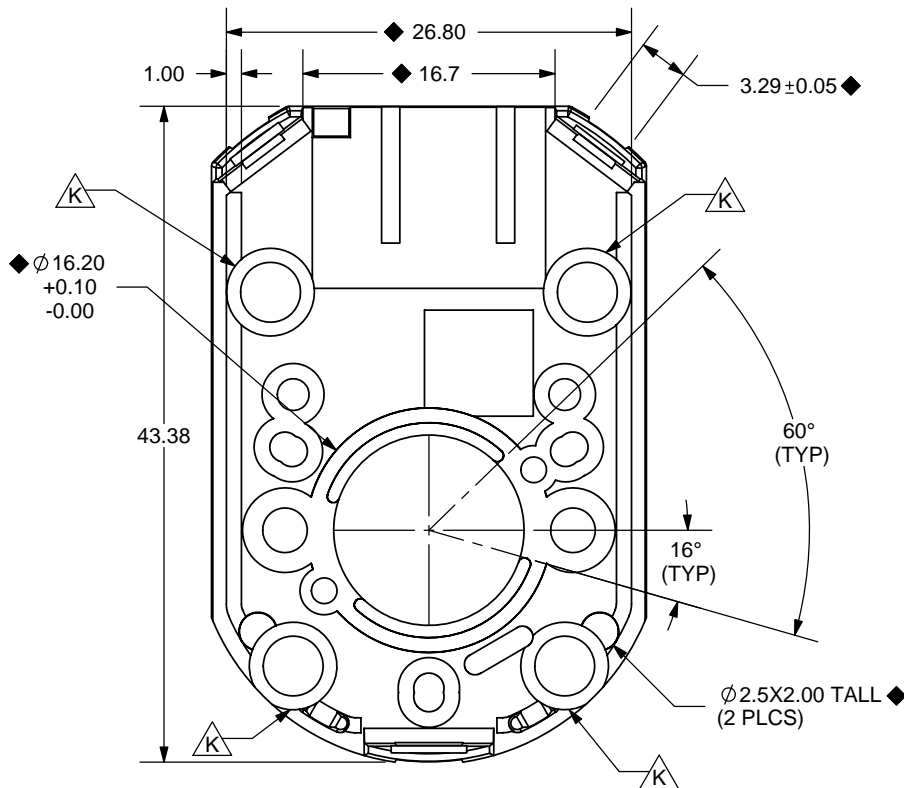


REV.	DESCRIPTION	DATE
F	Hole diameter increased to 2.95 from 2.87	1/23/2006
G	Receiver hold down post increased to 4.30 from 4.15	3/22/2006
H	Hole diameter decreased to 12.1 from 12.4	4/3/2006
J	Hole diameter increased to 12.6, flange modified	10/24/2006
K	Mounting holes changed to $\varnothing 3.96$ THRU ALL, $\varnothing 5.79 \nabla 1.02$	9/4/2015



SECTION A-A



SCALE 1:1

SEE PAGE 2 FOR HOLE LAYOUT

NOTES:  
◆ CRITICAL DIMENSIONS FOR INSPECTION

DRAFTS ACCORDING TO 3D CAD MODEL

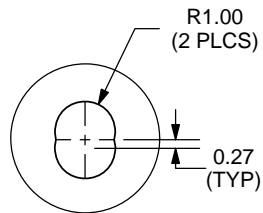
TOLERANCE: ±0.1mm UNLESS NOTED



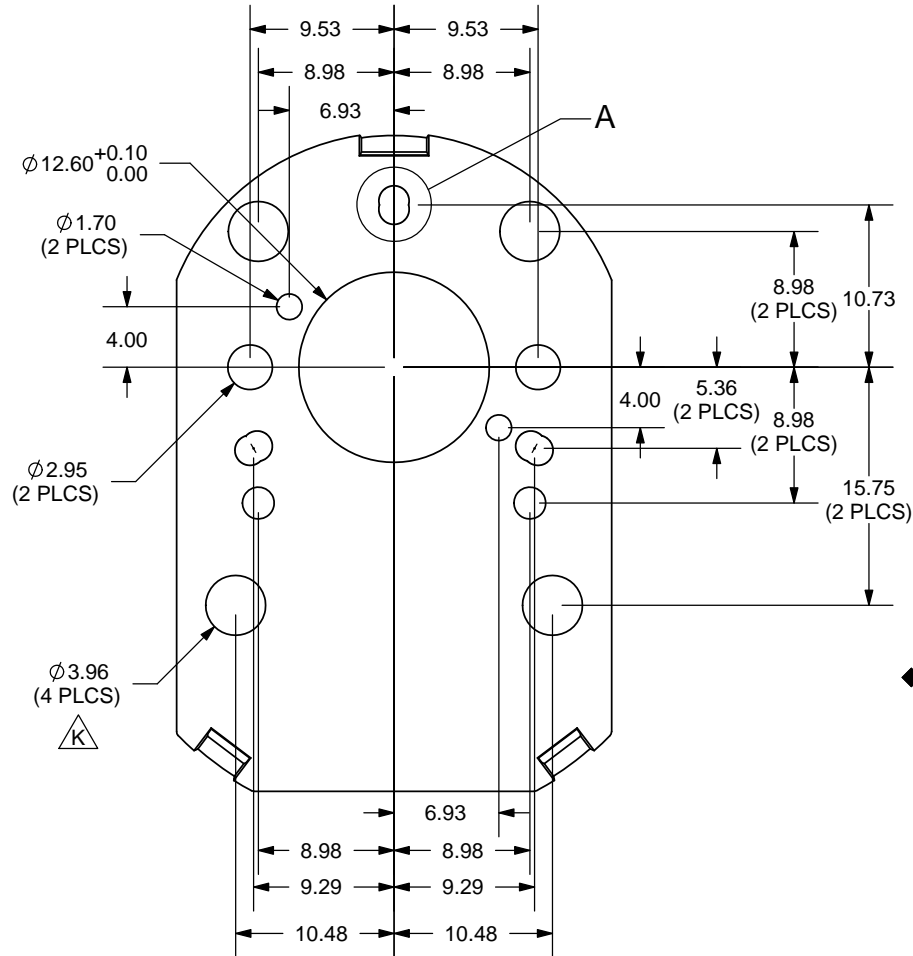
20050 SW 112th Ave.  
Tualatin, OR 97062  
Phone: 503-612-2300  
800-275-4899  
Fax: 503-612-2383  
Website: www.cui.com

TITLE: AMT 102 BASE		REV: K
PART NO. 1245-0003R		UNITS: MM [INCHES]
DRAWN BY: RDS	APPROVED BY:	SCALE: 2:1

REV.	DESCRIPTION	DATE
F	Hole diameter increased to 2.95 from 2.87	1/23/2006
G	Receiver hold down post increased to 4.30 from 4.15	3/22/2006
H	Hole diameter decreased to 12.1 from 12.4	4/3/2006
J	Hole diameter increased to 12.6, flange modified	10/24/2006
K	Mounting holes changed to $\varnothing 3.96$ THRU ALL, $\varnothing 5.79 \nabla 1.02$	9/4/2015



DETAIL A  
SCALE 4 : 1



NOTES:  
♦ CRITICAL DIMENSIONS FOR INSPECTION

DRAFTS ACCORDING TO 3D CAD MODEL

TOLERANCE:  $\pm 0.1\text{mm}$  UNLESS NOTED



20050 SW 112th Ave.  
Tualatin, OR 97062  
Phone: 503-612-2300  
800-275-4899  
Fax: 503-612-2383  
Website: www.cui.com

TITLE: AMT 102 BASE, SHEET 2, HOLE LAYOUT		REV: K
PART NO. 1245-0003R	UNITS: MM [INCHES]	
DRAWN BY: RDS	APPROVED BY:	SCALE: 2:1

## X-ON Electronics

Largest Supplier of Electrical and Electronic Components

*Click to view similar products for [Encoders](#) category:*

*Click to view products by [Renesas](#) manufacturer:*

Other Similar products are found below :

[6-1393048-5](#) [62AG22-H5-P](#) [62B22-LP-030C](#) [62D22-02-P](#) [62R22-01-040S](#) [63K25](#) [63K32](#) [63KS100](#) [63KS64](#) [63R100](#) [63R50-020](#) [63RS256-060](#) [700-09-36](#) [E6C2-CWZ6C-10 500P/R 5M](#) [E6C3-CWZ5GH 1000P/R 2M](#) [25LB22-G-Z](#) [T101-5C2-111-M1](#) [T101-5C3-111-M1](#) [T101-5C4-111-M1](#) [25LB45-Q-Z](#) [HEDS-8905](#) [385001M0439](#) [385001M0216](#) [DPL12SV2424A25K3](#) [E69-1](#) [E69-DF15](#) [E69-FBA-02](#) [E69-FCA](#) [E6B2-CWZ1X 2000P/R 0.5M](#) [E6B2-CWZ3E 600P/R 0.5M](#) [E6C3-CWZ3EH 800P/R 2M](#) [ENA1D-472-L00050L](#) [61S64-2](#) [62B11-LP-100S](#) [62B11-LPP-P](#) [62C1111-02-020C](#) [62N11-P](#) [62S22-H9-120S](#) [62S30-L0-200C](#) [62V15-02-080S](#) [62V22-02-030C](#) [632911-128](#) [63K64](#) [63KS100-040](#) [63R64-050](#) [63RS256](#) [63RS64](#) [700-16-16](#) [3-1393048-1](#) [63KS128](#)