

SERIES: ACZ16 | **DESCRIPTION:** MECHANICAL INCREMENTAL ENCODER**ELECTRICAL SPECIFICATIONS**

parameter	conditions/description
output waveform	square wave
output signals	A, B phase
current consumption	0.5 mA
output phase difference	T1, T2, T3, T4 \geq 3.5 ms @ 60 rpm (see output waveform)
supply voltage	5 V dc max.
output resolution	12, 24 ppr
insulation resistance	50 V dc, 100 M Ω
withstand voltage	50 V ac

MECHANICAL SPECIFICATIONS

parameter	conditions/description	min	nom	max	units
shaft load	axial			7	kgf
rotational torque	with detent click	50		130	gf•cm
	without detent click	90		210	gf•cm
rotational life				100,000	cycles

ENVIRONMENTAL SPECIFICATIONS

parameter	conditions/description	min	nom	max	units
operating temperature		-10		65	°C
storage temperature		-40		75	°C
humidity		85			% RH
vibration	0.75 mm max. travel for 2 hours	10		55	Hz

- Notes:
1. It is recommended to use products within 6 months.
 2. For storage conditions, it is recommended to keep away from direct sunlight, corrosive gas, or high humidity conditions.
 3. Use the product as soon as possible once the plastic bag has been unsealed, and reseal the bag if product is not immediately used.
 4. The products are packaged in sealed bags with anti humidity tablets.

PART NUMBER KEY**ACZ16 X BR X E- XX XX X1- XXX**

Version:
 "blank" = switch (momentary)
 N = no switch

Bushing:
 1 = M9 x 0.75 (H = 5)
 2 = M9 x 0.75 (H = 7)

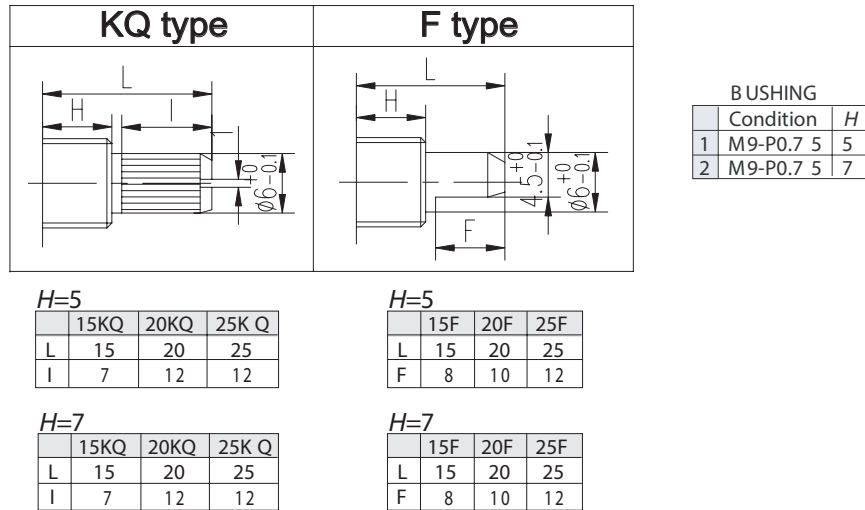
Shaft length:
 15, 20, 25

Shaft
 type:
 KQ, F

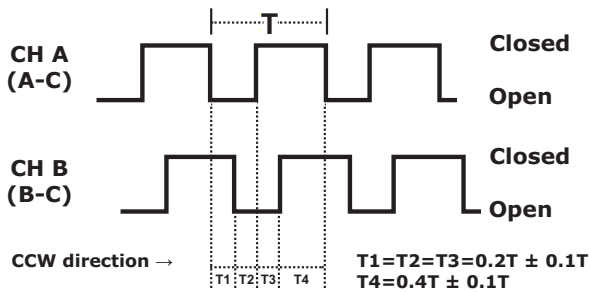
Mounting orientation:
 A = Horizontal
 D = Vertical

Resolution (ppr):
 12 = 12 ppr, no detent
 12C = 12 ppr, 12 detent
 24 = 24 ppr, no detent
 24C = 24 ppr, 24 detent

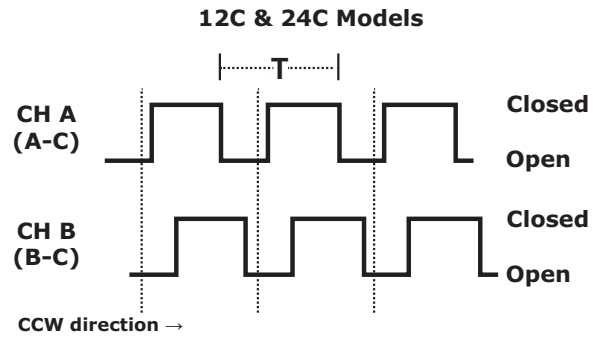
SHAFT OPTIONS



OUTPUT WAVEFORM

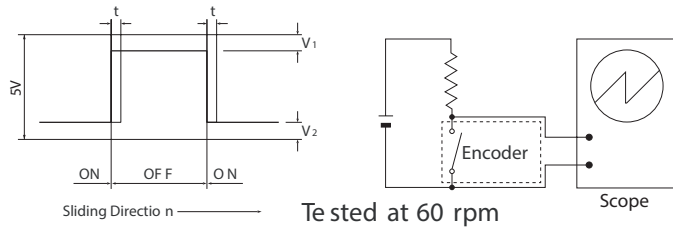


DETENT POSITIONS

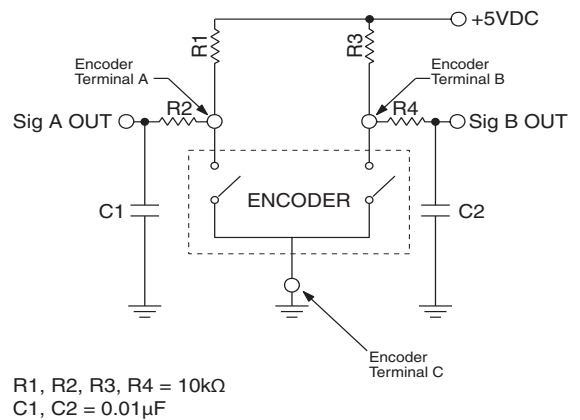


SLIDING NOISE

$t =$ Masking time to avoid chatter (5mS) $V_1 = V_2 = 1V$ max.

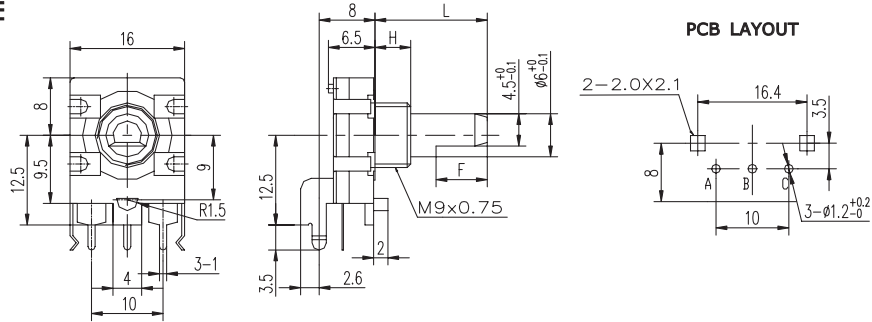


SUGGESTED FILTER

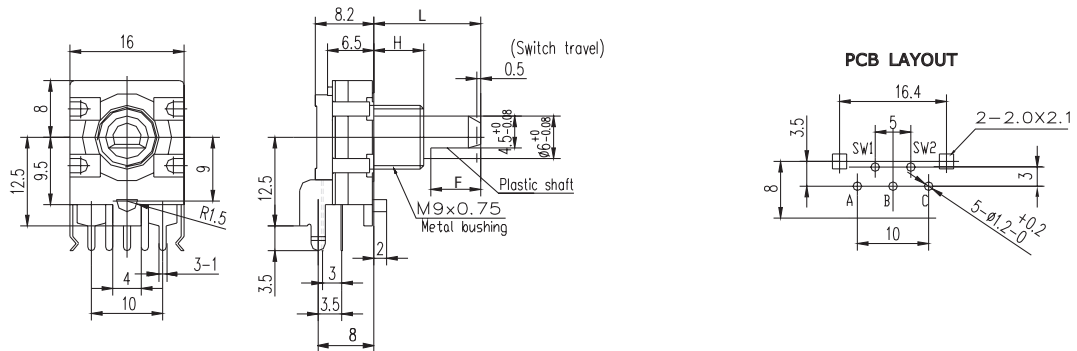


MECHANICAL DRAWING (horizontal)

ACZ16NBRXE

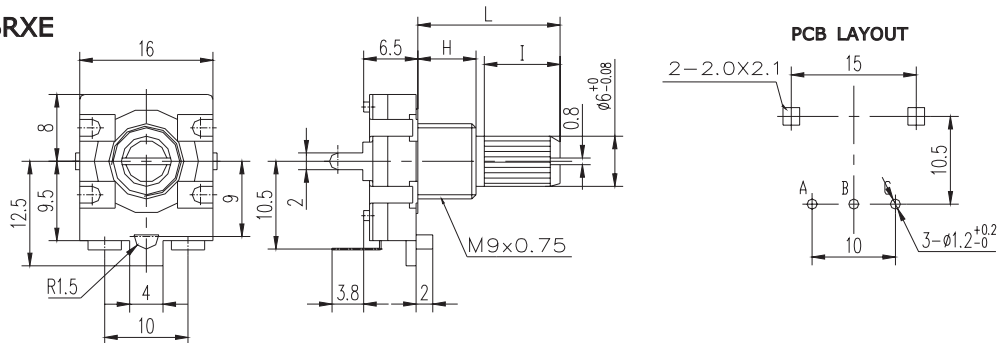


ACZ16BRXE

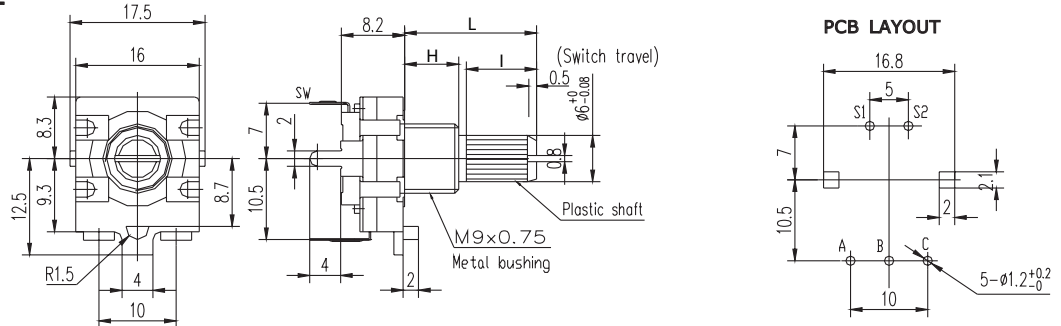


MECHANICAL DRAWING (vertical)

ACZ16NBRXE



ACZ16BRXE



REVISION HISTORY

rev.	description	date
1.0	initial release	10/30/2009
1.01	added storage details	12/04/2014
1.02	brand update	10/04/2019
1.03	updated datasheet	06/15/2020
1.04	updated drawings	07/14/2020

The revision history provided is for informational purposes only and is believed to be accurate.

CUI DEVICES

CUI Devices offers a one (1) year limited warranty. Complete warranty information is listed on our website.

CUI Devices reserves the right to make changes to the product at any time without notice. Information provided by CUI Devices is believed to be accurate and reliable. However, no responsibility is assumed by CUI Devices for its use, nor for any infringements of patents or other rights of third parties which may result from its use.

CUI Devices products are not authorized or warranted for use as critical components in equipment that requires an extremely high level of reliability. A critical component is any component of a life support device or system whose failure to perform can be reasonably expected to cause the failure of the life support device or system, or to affect its safety or effectiveness.

X-ON Electronics

Largest Supplier of Electrical and Electronic Components

Click to view similar products for [Encoders](#) category:

Click to view products by [CUI Devices](#) manufacturer:

Other Similar products are found below :

[6-1393048-5](#) [62AG22-H5-P](#) [62B22-LP-030C](#) [62D22-02-P](#) [62R22-01-040S](#) [63K25](#) [63K32](#) [63KS100](#) [63KS64](#) [63R100](#) [63R50-020](#) [63RS256-060](#) [700-09-36](#) [E6C2-CWZ6C-10 500P/R 5M](#) [E6C3-CWZ5GH 1000P/R 2M](#) [25LB22-G-Z](#) [T101-5C2-111-M1](#) [T101-5C3-111-M1](#) [T101-5C4-111-M1](#) [25LB45-Q-Z](#) [HEDS-8905](#) [385001M0439](#) [385001M0216](#) [DPL12SV2424A25K3](#) [E69-1](#) [E69-DF15](#) [E69-FBA-02](#) [E69-FCA](#) [E6B2-CWZ1X 2000P/R 0.5M](#) [E6B2-CWZ3E 600P/R 0.5M](#) [E6C3-CWZ3EH 800P/R 2M](#) [ENA1D-472-L00050L](#) [61S64-2](#) [62B11-LP-100S](#) [62B11-LPP-P](#) [62C1111-02-020C](#) [62N11-P](#) [62S22-H9-120S](#) [62S30-L0-200C](#) [62V15-02-080S](#) [62V22-02-030C](#) [632911-128](#) [63K64](#) [63KS100-040](#) [63R64-050](#) [63RS256](#) [63RS64](#) [700-16-16](#) [3-1393048-1](#) [63KS128](#)