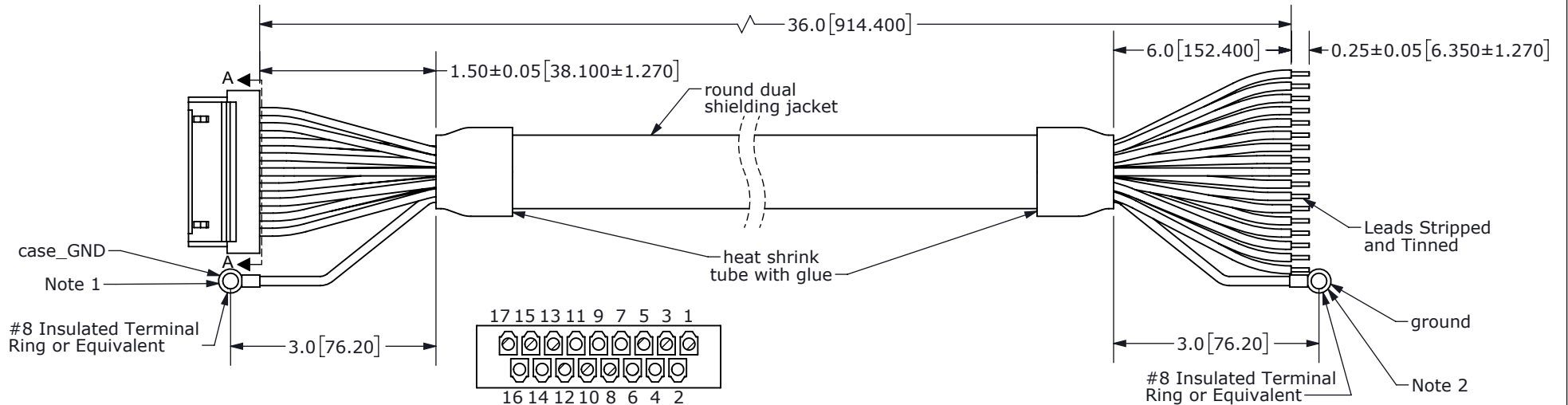
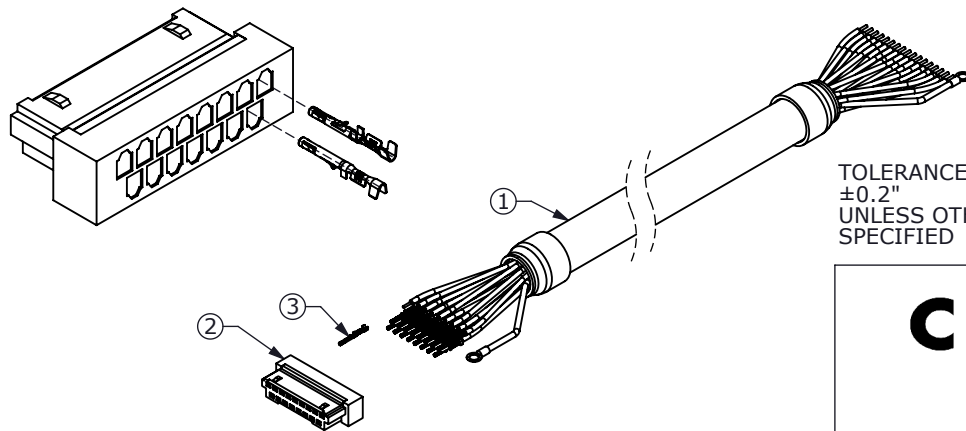


REV.	DESCRIPTION	DATE
A	NEW DRAWING	6/10/2013
B	cable length changed, part# changed	7/29/2013
C	added ground wire to unterminated end	3/4/2014
D	brand update	4/13/2020



SECTION A-A  
SCALE 3 : 1  
(Back of Connector Housing)

Connector Pinout			
#	Function	Color	
		Primary	Stripe
1	TX_ENC+	Green	Red
2	RX_ENC+	Blue	Red
3	U+	Brown	Black
4	GND	Black	Red
5	W+	Orange	Black
6	+5V	Red	Black
7	V+	Red	White
8	B+	Green	Black
9	B-	Black	Green
10	A+	White	Black
11	A-	Black	White
12	Z+	Blue	Black
13	Z-	Black	Blue
14	MCLR	Yellow	Black
15	W-	Black	Orange
16	V-	White	Red
17	U-	Black	Brown



TOLERANCE:  
±0.2"  
UNLESS OTHERWISE  
SPECIFIED



# CUI DEVICES

6405 SW Rosewood St, Suite C  
Lake Oswego, OR 97035  
Phone: 877-323-3576

Website: [www.cuidevices.com](http://www.cuidevices.com)

NOTES 1: case\_GND is connected internally to GND (black/red)  
2: ground connected internally to cable shielding

	Part	QTY	Part#
1	Cable	1	3M 3600B/20
2	Connector	1	JAE FI-W17S
3	Crimp Pins	17	JAE FI-C3-A1-15000

ITEM NO:	977-7012R	REV:	D
PART NO:	AMT-17C-1-036	UNITS:	INCHES[MM]
DRAWN BY:	RDS	APPROVED BY:	
		SCALE:	2:1

PC FILE NAME:  
AMT-17C-1-036

COPYRIGHT 2020 BY CUI DEVICES

## X-ON Electronics

Largest Supplier of Electrical and Electronic Components

*Click to view similar products for [Encoders](#) category:*

*Click to view products by [CUI Devices](#) manufacturer:*

Other Similar products are found below :

[6-1393048-0](#) [6-1393048-5](#) [62AG22-H5-P](#) [62B22-LP-030C](#) [63K25](#) [63K32](#) [63KS100](#) [63KS64](#) [63R100](#) [63R50-020](#) [63RS256-060](#) [700-09-36](#)  
[RE12D300-201-1](#) [1393047-3](#) [2-1393047-2](#) [T101-5C2-111-M1](#) [T101-5C3-111-M1](#) [T101-5C4-111-M1](#) [385001M0439](#) [385001M0216](#)  
[V23401H1409B101](#) [V23401T8002B802](#) [V23401U6019B609](#) [E69-1](#) [E69DF10](#) [E69-FCA](#) [62B11-LP-100S](#) [62B11-LPP-040C](#) [62N11-P](#)  
[62S22-H9-120S](#) [62S30-L0-200C](#) [62V15-02-080S](#) [63K64](#) [63KS100-040](#) [63R64-050](#) [63RS64](#) [700-16-16](#) [V23401D3002B301](#) [3-1393048-1](#)  
[63KS128](#) [63KS256](#) [1-1879391-5](#) [GH65C11-N-SO](#) [62S15-M0-P](#) [1393047-1](#) [E69-FCA02](#) [E69-FCA04](#) [E69-DF20](#) [E69-DF2](#) [63R50](#)