

SERIES: CAF-A2S | **DESCRIPTION:** AC AXIAL FAN

FEATURES

- sleeve bearing
- 120 x 120 mm frame
- 110~125 or 220~240 Vac
- multiple speed options


MODEL

| MODEL | input voltage | input current ¹ | input power ¹ | rated speed ¹ | airflow ² | static pressure ³ | noise ⁴ |
|-------------------|------------------------------|----------------------------|--------------------------|--|----------------------|---------------------------------------|----------------------------|
| | rated [50/60 Hz] [Vac] | max [50/60 Hz] [A] | [50/60 Hz] [W±2] | typ [50/60 Hz] [RPM±10%] | [50/60 Hz] [CFM] | [50/60 Hz] [inch H ₂ O] | typ [50/60 Hz] [dBA] |
| CAF-A225S-118-300 | 110 | 0.16/0.15 | 12.7/10.8 | 1,800 ⁵ /1,700 ⁵ | 44.69/45.50 | 0.06/0.05 | 32.6/35.2 |
| CAF-A225S-120-350 | 110 | 0.19/0.17 | 14.2/10.8 | 2,000 ⁶ /2,000 ⁶ | 51.94/53.87 | 0.11/0.10 | 36.4/37.3 |
| CAF-A225S-218-300 | 220 | 0.09/0.08 | 12.3/9.7 | 1,800 ⁵ /1,700 ⁵ | 44.69/45.50 | 0.08/0.08 | 32.4/32.8 |
| CAF-A225S-220-350 | 220 | 0.12/0.10 | 15.7/11.5 | 2,000 ⁶ /2,000 ⁶ | 51.94/53.87 | 0.11/0.10 | 36.4/37.3 |
| CAF-A238S-120-300 | 110 | 0.17/0.15 | 7.1/7.1 | 2,200 ⁵ /1,800 ⁵ | 68.20/52.41 | 0.15/0.08 | 30.0/29.0 |
| CAF-A238S-124-370 | 110 | 0.15/0.14 | 9.3/8.2 | 2,400 ⁵ /2,100 ⁵ | 72.07/63.52 | 0.19/0.10 | 37.7/35.6 |
| CAF-A238S-126-400 | 110 | 0.30/0.25 | 19.8/17.1 | 2,600/2,900 | 78.04/84.85 | 0.26/0.25 | 39.5/42.6 |
| CAF-A238S-220-300 | 220 | 0.08/0.07 | 7.1/7.1 | 2,200 ⁵ /1,800 ⁵ | 68.20/52.41 | 0.15/0.08 | 36.2/29.9 |
| CAF-A238S-224-370 | 220 | 0.11/0.10 | 11.2/9.7 | 2,400 ⁵ /2,400 ⁵ | 71.38/73.30 | 0.20/0.14 | 37.7/37.7 |
| CAF-A238S-226-400 | 220 | 0.13/0.12 | 16.0/12.7 | 2,600/2,900 | 78.57/88.14 | 0.26/0.28 | 41.0/44.3 |

- Notes:
1. At rated voltage, will reach bottom line of specifications after 5 minutes. Will reach standard specification after 10 minutes continuously running.
 2. At rated voltage, room temperature, 65% humidity, 0 inch H₂O static pressure.
 3. At rated voltage, 0 CFM airflow.
 4. Measured in an anechoic chamber as per ISO3745/GB4214-B4 at rated voltage, with background noise 10±2 dBA at 1 m from the fan intake.
 5. Typical rated speed is measured as RPM±250 at rated voltage.
 6. Typical rated speed is measured as RPM±300 at rated voltage.
 7. All specifications are measured at 25°C, 65% relative humidity unless otherwise specified.

INPUT

| parameter | conditions/description | min | typ | max | units |
|-------------------------|---|-----|-----------|-----|-------|
| operating input voltage | 110 Vac input models | 100 | 110 | 125 | Vac |
| | 220 Vac input models | 220 | | 240 | Vac |
| starting voltage | CAF-A225S-120-350, CAF-A238S-126-400 models | | 85 | | Vac |
| | all other 110 Vac input models | | 90 | | Vac |
| | 220 Vac input models | | 175 | | Vac |
| locked current | CAF-A225S-118-300 (50/60 Hz) | | 0.14/0.13 | | A |
| | CAF-A225S-120-350 (50/60 Hz) | | 0.17/0.15 | | A |
| | CAF-A225S-218-300 (50/60 Hz) | | 0.07/0.07 | | A |
| | CAF-A225S-220-350 (50/60 Hz) | | 0.10/0.08 | | A |
| | CAF-A238S-120-300 (50/60 Hz) | | 0.17/0.15 | | A |
| | CAF-A238S-124-370 (50/60 Hz) | | 0.15/0.14 | | A |
| | CAF-A238S-126-400 (50/60 Hz) | | 0.30/0.27 | | A |
| | CAF-A238S-220-300 (50/60 Hz) | | 0.06/0.05 | | A |
| | CAF-A238S-224-370 (50/60 Hz) | | 0.10/0.08 | | A |
| | CAF-A238S-226-400 (50/60 Hz) | | 0.12/0.10 | | A |

PROTECTIONS / FEATURES

| parameter | conditions/description | min | typ | max | units |
|---------------------------|------------------------|-----|-----|-----|-------|
| impedance protected motor | on all models | | | | |
| insulated type | Class B (130 °C) | | | | |

SAFETY & COMPLIANCE

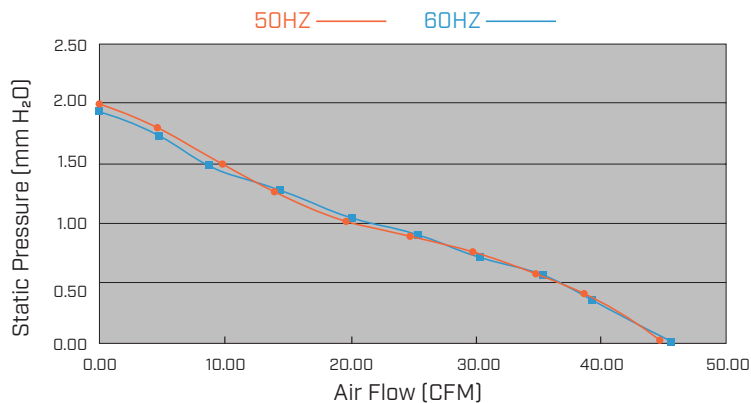
| parameter | conditions/description | min | typ | max | units |
|-----------------------|--|-----|--------|-----|-------|
| insulation resistance | at 500 Vdc between frame and both lead wires | 10 | | | MΩ |
| dielectric strength | for 1 minute at 1 mA between frame and lead wires | | 1500 | | Vac |
| safety approvals | UL/cUL 507, TUV (EN 60335-1:2012+A11+A13+A1+A14+A2+A15, EN 60335-2-80:2003+A1+A2, EN 62233:200*) | | | | |
| EMI/EMC | EN 55014-1:2017+A11, EN/IEC 61000-3-2:2019, EN 61000-3-3:2013+A1, EN 55014-2:2015 | | | | |
| life expectancy | at 25°C, 65% RH, 90% confidence level | | 30,000 | | hours |
| RoHS | yes | | | | |

ENVIRONMENTAL

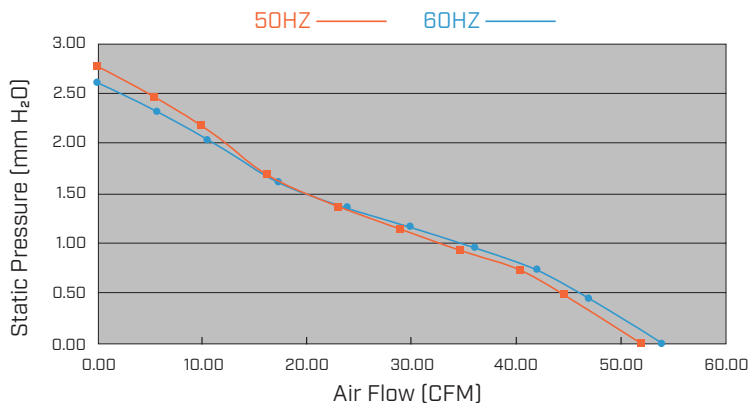
| parameter | conditions/description | min | typ | max | units |
|-----------------------|------------------------|-----|-----|-----|-------|
| operating temperature | | -10 | | 70 | °C |
| storage temperature | | -40 | | 80 | °C |

PERFORMANCE CURVES

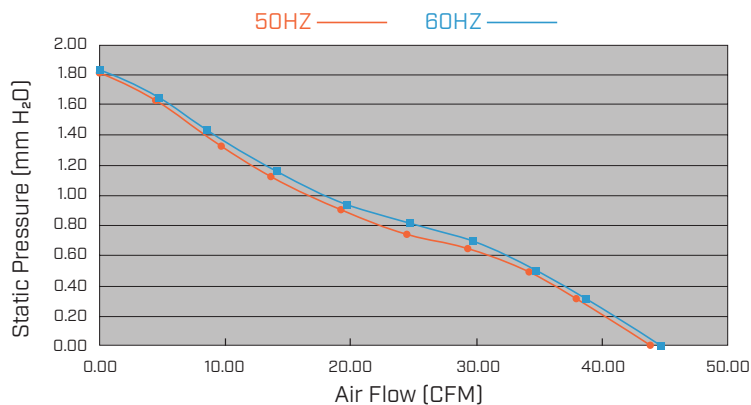
CAF-A225S-118-300



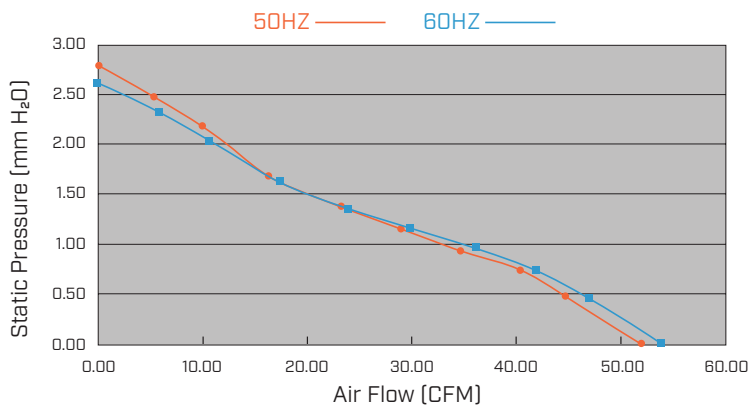
CAF-A225S-120-350



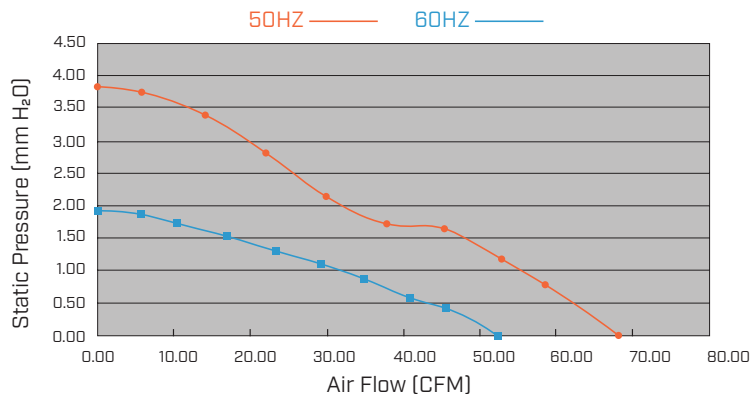
CAF-A225S-218-300



CAF-A225S-220-350

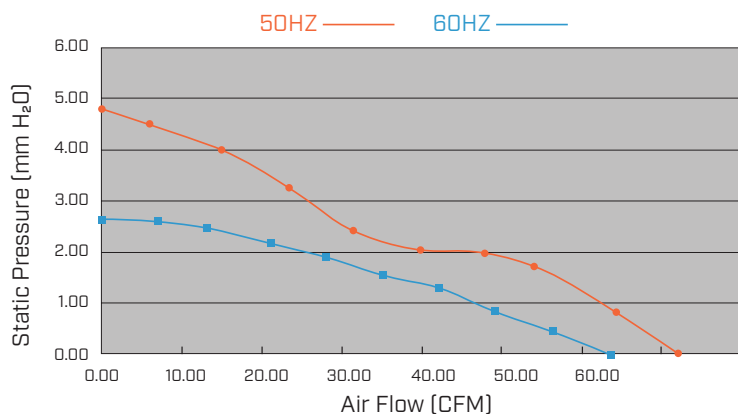


CAF-A238S-120-300

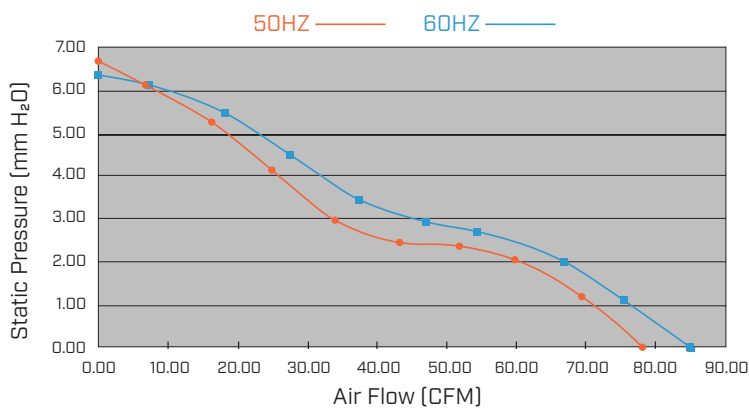


PERFORMANCE CURVES (CONTINUED)

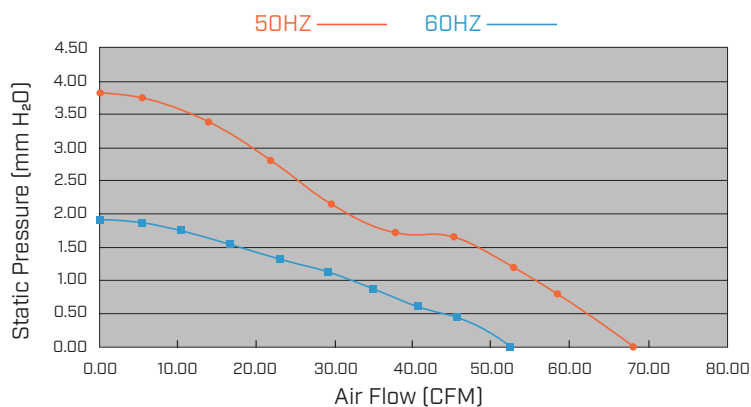
CAF-A238S-124-370



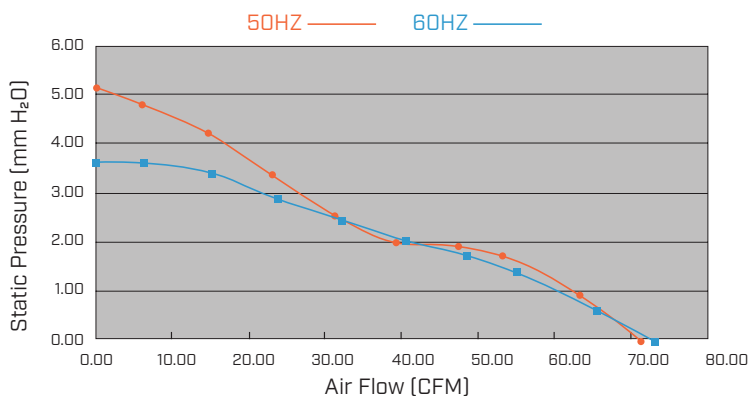
CAF-A238S-126-400



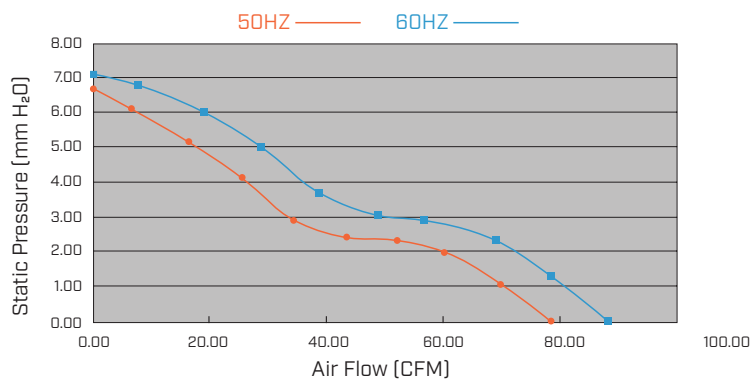
CAF-A238S-220-300



CAF-A238S-224-370



CAF-A238S-226-400



MECHANICAL

| parameter | conditions/description | min | typ | max | units |
|-----------------------|--|------------|-----|------------|----------|
| motor | AC brushless | | | | |
| bearing system | sleeve bearing | | | | |
| direction of rotation | counter-clockwise viewed from front of fan blade | | | | |
| dimensions | CAF-A225S models: 120 x 120 x 25.8 CAF-A238S models: 119.5 x 119.5 x 38.5 | | | | mm mm |
| material | fan frame: aluminum fan impellar: PBT (UL94V-0) | | | | |
| weight | CAF-A225S models: weight varies by model CAF-A238S models: weight varies by model | 285 460 | | 287 475 | g g |

MECHANICAL DRAWING

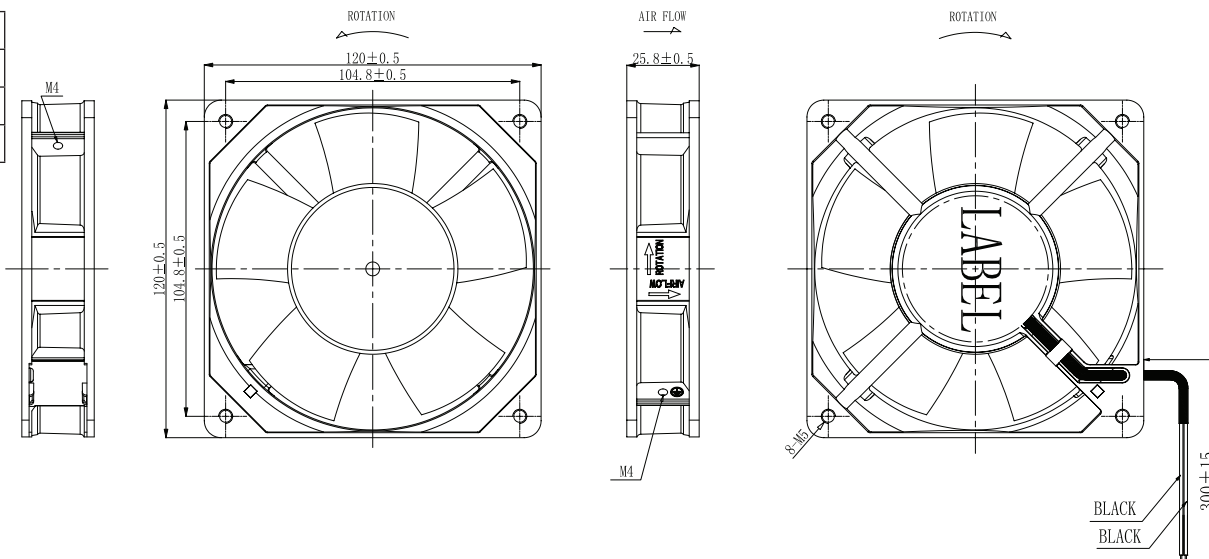
units: mm

wires: UL 1007, 22 AWG

| MOUNTING SCREW (Pan Head) | | | |
|---------------------------|---------------|------------|---------|
| Screw Type | Mounting Hole | Screw Size | Torque |
| Machine Screw | M4X0.7 | M4X0.7 | 1.5 N-m |
| Machine Screw | M5X0.8 | M5X0.8 | 2.0 N-m |

CAF-A225S

| WIRE CONNECTIONS | |
|------------------|----------|
| Wire Color | Function |
| Black | +Vin |
| Black | -Vin |



MECHANICAL DRAWING (CONTINUED)

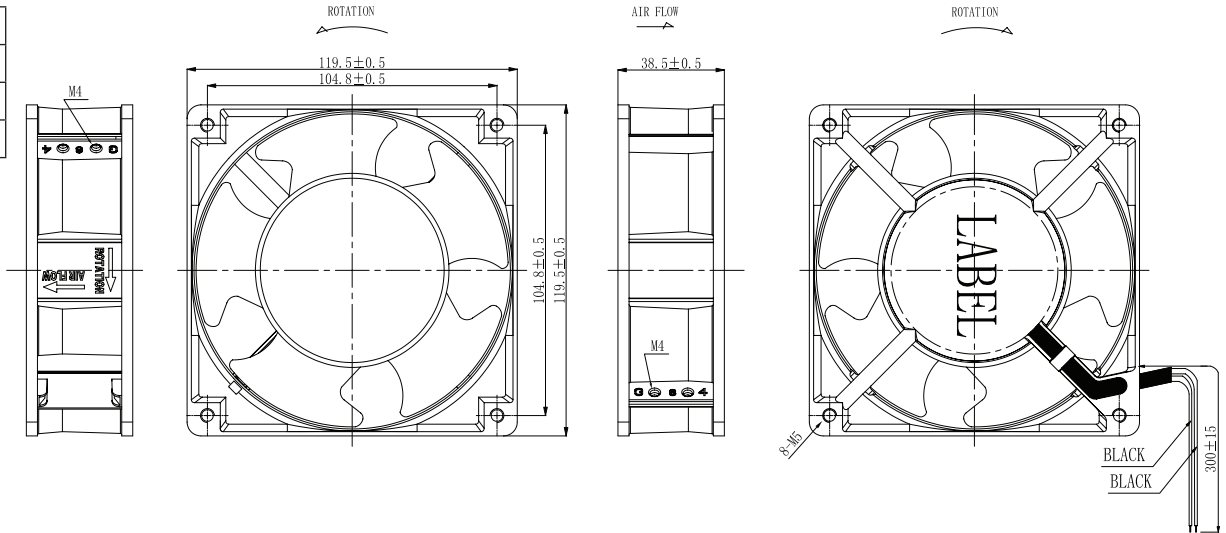
units: mm

wires: UL 1007, 22 AWG

| MOUNTING SCREW (Pan Head) | | | |
|---------------------------|---------------|------------|---------|
| Screw Type | Mounting Hole | Screw Size | Torque |
| Machine Screw | M4X0.7 | M4X0.7 | 1.5 N-m |
| Machine Screw | M5X0.8 | M5X0.8 | 2.0 N-m |

CAF-A238S

| WIRE CONNECTIONS | |
|------------------|----------|
| Wire Color | Function |
| Black | +Vin |
| Black | -Vin |



REVISION HISTORY

| rev. | description | date |
|------|-----------------|------------|
| 1.0 | initial release | 10/17/2023 |

The revision history provided is for informational purposes only and is believed to be accurate.



CUI Devices offers a one (1) year limited warranty. Complete warranty information is listed on our website.

CUI Devices reserves the right to make changes to the product at any time without notice. Information provided by CUI Devices is believed to be accurate and reliable. However, no responsibility is assumed by CUI Devices for its use, nor for any infringements of patents or other rights of third parties which may result from its use.

CUI Devices products are not authorized or warranted for use as critical components in equipment that requires an extremely high level of reliability. A critical component is any component of a life support device or system whose failure to perform can be reasonably expected to cause the failure of the life support device or system, or to affect its safety or effectiveness.

cuidevices.com

X-ON Electronics

Largest Supplier of Electrical and Electronic Components

Click to view similar products for [AC Fans](#) category:

Click to view products by [CUI Devices](#) manufacturer:

Other Similar products are found below :

[8850A](#) [A2D200-AA04-41](#) [A2E165-AA17-01](#) [AC430019H-012](#) [144LS-2282-010](#) [1500-FAN-01](#) [25.350.5253.0](#) [S2E250-AL06-70](#) [A2D210-AB10-05](#) [A2D240-AA02-02](#) [23241-3](#) [25.345.5353.0](#) [281DY-1LP14-000B](#) [344DY-1LP11-000](#) [39.703.0253.0](#) [USTF1203224VHW](#) [3915100996-SA3](#) [3G2C7MC224](#) [W2D200-HH04-07](#) [W2S130-AA03-43](#) [432703034611](#) [S2E250-BB13-22](#) [8856N](#) [A2E170-AF23-11](#) [W4S250-CA20-56](#) [W2S130-AB03-09](#) [5900](#) [C45-A7](#) [TAC12025230MT](#) [8550A](#) [8560N](#) [A2175-HBT TC.GN](#) [AD0405HB-G73\(9T\)](#) [CENT-2000-FFTMM](#) [CENT-2000-RFTMM](#) [4606 X \(CN\)](#) [W2D200-CA04-52](#) [S4E450-AP01-02](#) [W2S130-AB25-10](#) [A4E330-AB18-09](#) [W2E250-DB05-52](#) [W4E315-CS22-70](#) [W2E300-CP02-75](#) [S4S250-BA02-20](#) [S2D300-BP02-37](#) [W2S130-AB25-24](#) [W2D250-GA08-08](#) [A2E200-AH38-70](#) [TAC8025115HW](#) [F1238H24BT-FHR](#)