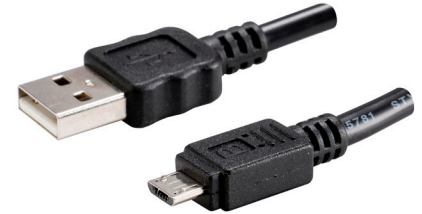


SERIES: CBL-UA-MUB | **DESCRIPTION:** USB CABLE**FEATURES**

- type A male to micro B male
- USB 2.0
- available in 0.5, 1, 1.5, 2.0 m lengths
- PVC or TPE jacket material
- black, white, and gray color options

**SPECIFICATIONS**

parameter	conditions/description	min	typ	max	units
rated voltage			30		Vdc
rated current				1	A
conductor resistance				3	Ω
insulation resistance	at 300 Vdc	20			M Ω
operating temperature		-20		80	$^{\circ}$ C
flammability rating	see material table				
RoHS	yes				

PART NUMBER KEY**CBL-UA-MUB-XXXX**

Base Number

Length:

05 = 0.5 m

10 = 1.0 m

15 = 1.5 m

20 = 2.0 m

Color:

B = black

W = white

G = gray

Cable/Overmold Material:

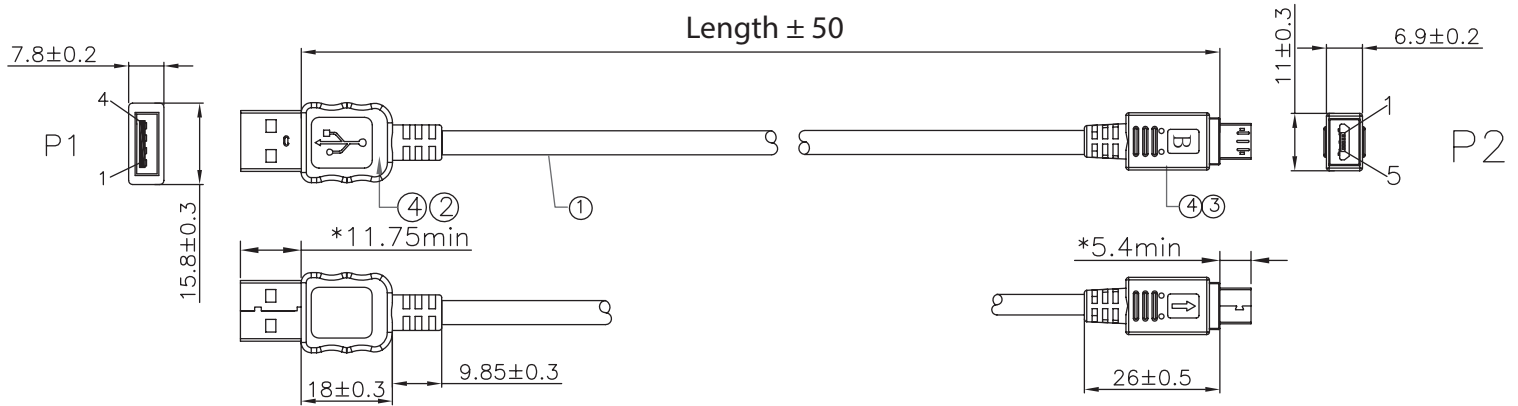
P = PVC

T = TPE

MECHANICAL DRAWING

units: mm
 tolerance:
 $X \leq 30$: ± 1.5 mm
 $31 < X \leq 100$: ± 2.0 mm
 unless otherwise noted

ITEM	DESCRIPTION
1	cable (PVC version) UL2725 (#28*1P+#24*2C +AEB(65%) Jacket PVC; Black OD=4.7±0.2 mm; 30 V (UL94VW-1)
1	cable (TPE version) UL21371 (#28*1P+#24*2C +AEB(65%) Jacket TPE; Black OD=4.7±0.2 mm; 30 V (UL94V-0)
2	connector 1 USB A/M; Color: White; Contact: gold flash; Shell: Ni plated
3	connector 2 USB micro Type B; Color: Black; Contact: gold flash; Shell: Ni plated
4	overmold PVC 45P or TPE (UL94V-0)



WIRE LIST

P1	P2	Color
1	1	RED
2	2	WHITE
3	3	GREEN
4	5	BLACK
SHELL	SHELL	DRAIN+BRAID

PACKAGING

units: mm

Carton Size: 546 x 355 x 186 mm

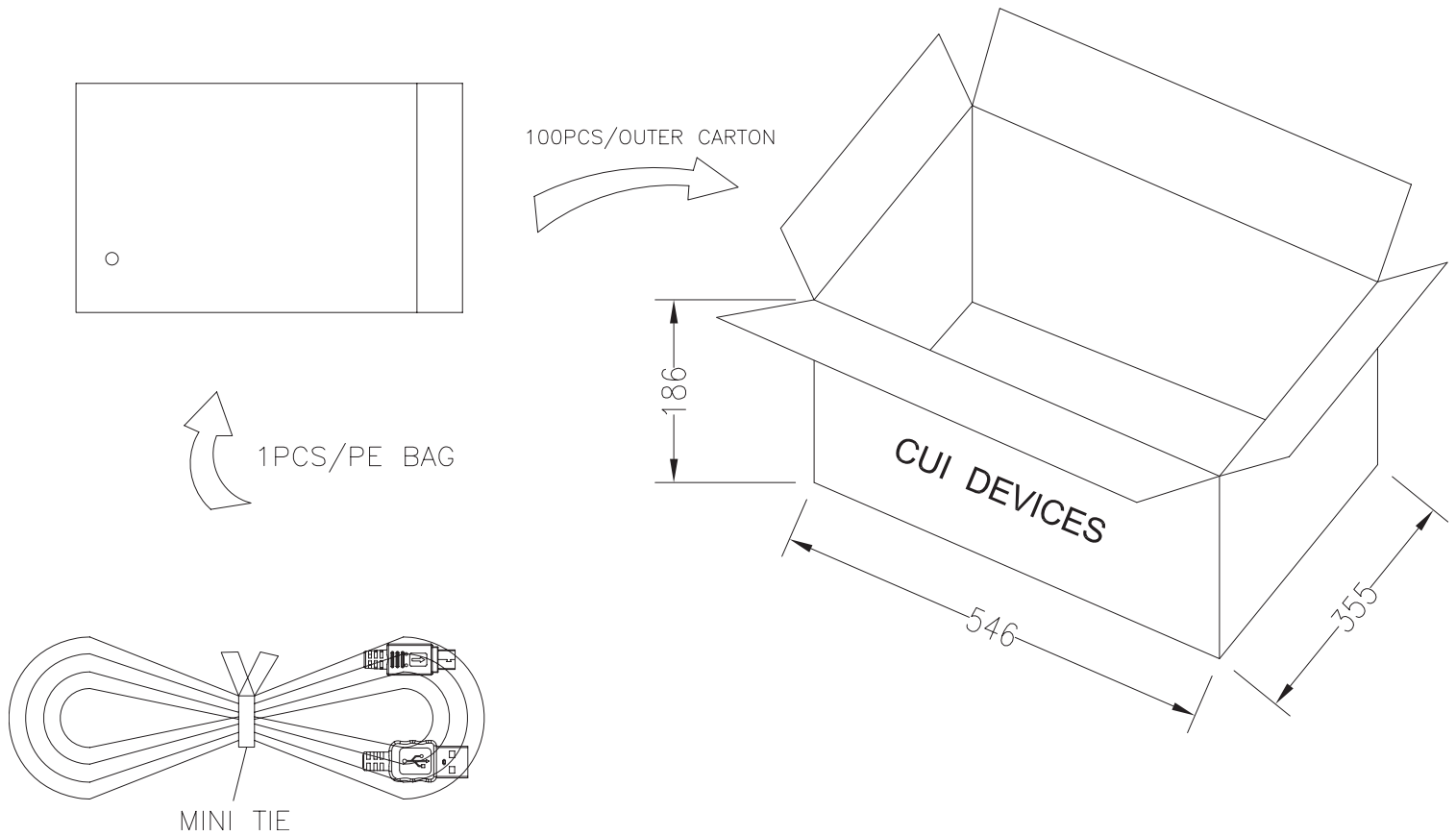
Carton QTY:

0.5 m length models: 200 pcs/carton

1.0 m length models: 150 pcs/carton

1.5 m length models: 150 pcs/carton

2.0 m length models: 100 pcs/carton



REVISION HISTORY

rev.	description	date
1.0	initial release	11/30/2020

The revision history provided is for informational purposes only and is believed to be accurate.

CUI DEVICES

CUI Devices offers a one (1) year limited warranty. Complete warranty information is listed on our website.

CUI Devices reserves the right to make changes to the product at any time without notice. Information provided by CUI Devices is believed to be accurate and reliable. However, no responsibility is assumed by CUI Devices for its use, nor for any infringements of patents or other rights of third parties which may result from its use.

CUI Devices products are not authorized or warranted for use as critical components in equipment that requires an extremely high level of reliability. A critical component is any component of a life support device or system whose failure to perform can be reasonably expected to cause the failure of the life support device or system, or to affect its safety or effectiveness.

X-ON Electronics

Largest Supplier of Electrical and Electronic Components

Click to view similar products for [USB Cables / IEEE 1394 Cables](#) category:

Click to view products by [CUI Devices](#) manufacturer:

Other Similar products are found below :

[68768-0173](#) [FNY-W6003-01](#) [88764-0800](#) [148700-1](#) [17-200621](#) [17-250051P](#) [954](#) [17-200261](#) [AC102012-1](#) [AC102012-2](#) [FTP-629Y601](#) [45-1345-15](#) [45-1358-15](#) [45-1363-15](#) [IP-USB1\(C10\)S-RW](#) [CABLE/RTP/USB/DT](#) [45-1351-15](#) [45-1357-15](#) [45-1433-1](#) [687680278](#)
[USBFTVX2SA2N03A](#) [USBFTV2SA2N03A](#) [USBFTV2SA2N05A](#) [MDM9PH004B](#) [MDM9PH004P](#) [FTP-629Y401](#) [FTP-628Y302](#) [FTP-628Y402](#) [CSMNB9MF-5](#) [FNY-W6022](#) [UA-30AMF-SD7B03](#) [UA-30AMFM-SL7B03](#) [USBAPSCC7202A](#) [17-200641](#) [UES-1001A160](#) [UES-1003A160](#) [USBFTVX7SA2N20A](#) [USBFTV2PEMSA2N10A](#) [FTP-629Y602](#) [USBCAMCM100](#) [USB A/F*2 to 2.54 2*5P-SH L=400mm](#)
[68784-0075](#) [MINI-SCREW-USB-DATACABLE](#) [19800-010500-200-RS](#) [103-1092-BL-F0050](#) [103-1020-BL-00100](#) [103-1092-BL-F0200](#) [103-1092-BL-F0100](#) [105-1092-BL-00300](#) [105-1092-BL-00200](#)