

MODEL: CBL-UC-UC-1 | **DESCRIPTION:** USB CABLE**FEATURES**

- USB 3.1 Gen 1
- type C male to type C male
- 1 meter
- PVC jacket

**SPECIFICATIONS**

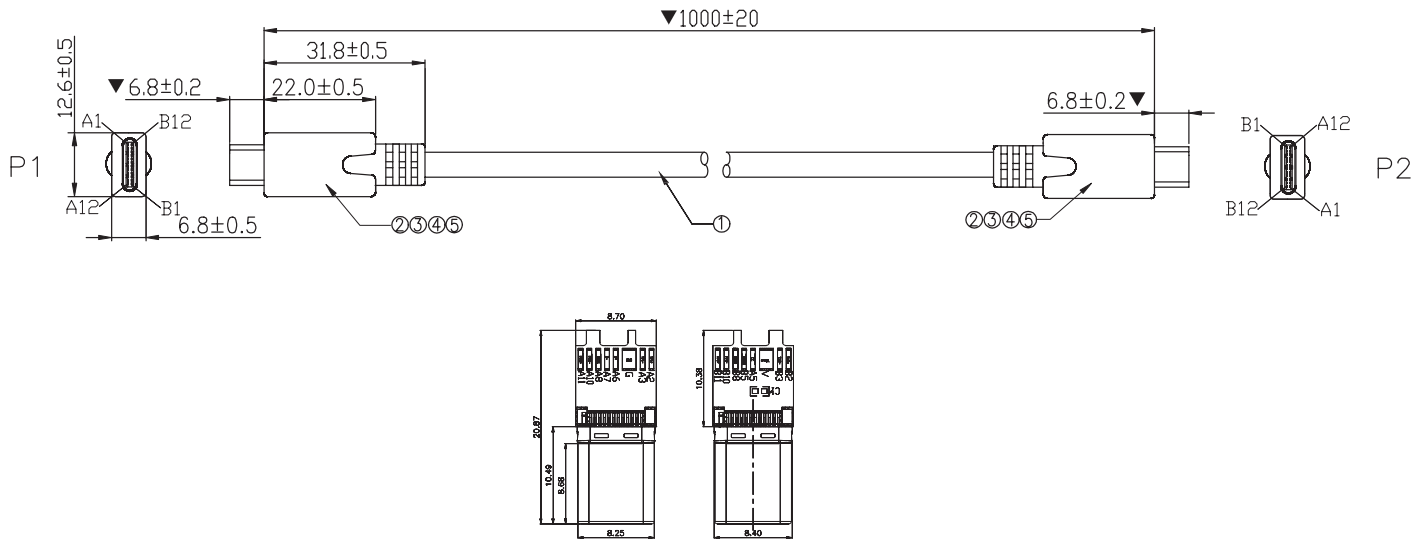
| parameter | conditions/description | min | typ | max | units |
|-----------------------|------------------------|-----|-----|-----|--------------|
| rated voltage | | | 20 | | Vdc |
| rated current | | | | 3 | A |
| conductor resistance | | | | 5 | Ω |
| insulation resistance | at 300 Vdc / 10 ms | 10 | | | M Ω |
| operating temperature | | -20 | | 80 | $^{\circ}$ C |
| storage temperature | | -25 | | 80 | $^{\circ}$ C |
| flammability rating | UL94V-0 | | | | |
| RoHS | yes | | | | |

MECHANICAL DRAWING

units: mm
 tolerance:
 X.X ±0.2 mm
 X.XX ±0.15 mm
 unless otherwise noted

critical dimension: ▼

| ITEM | DESCRIPTION | MATERIAL | PLATING/COLOR |
|------|---------------|----------------------------------|---------------|
| 1 | cable | USB 3.1 Gen 1 OD: 4.2 mm, PVC | black |
| 2 | wire holder | OD: 0.8 mm | |
| 3 | connector 1/2 | USB 3.1 Gen 1 Type C | gold |
| 4 | inner mold | LD-PE | black |
| 5 | over mold | PVC | black |



WIRING DIAGRAM

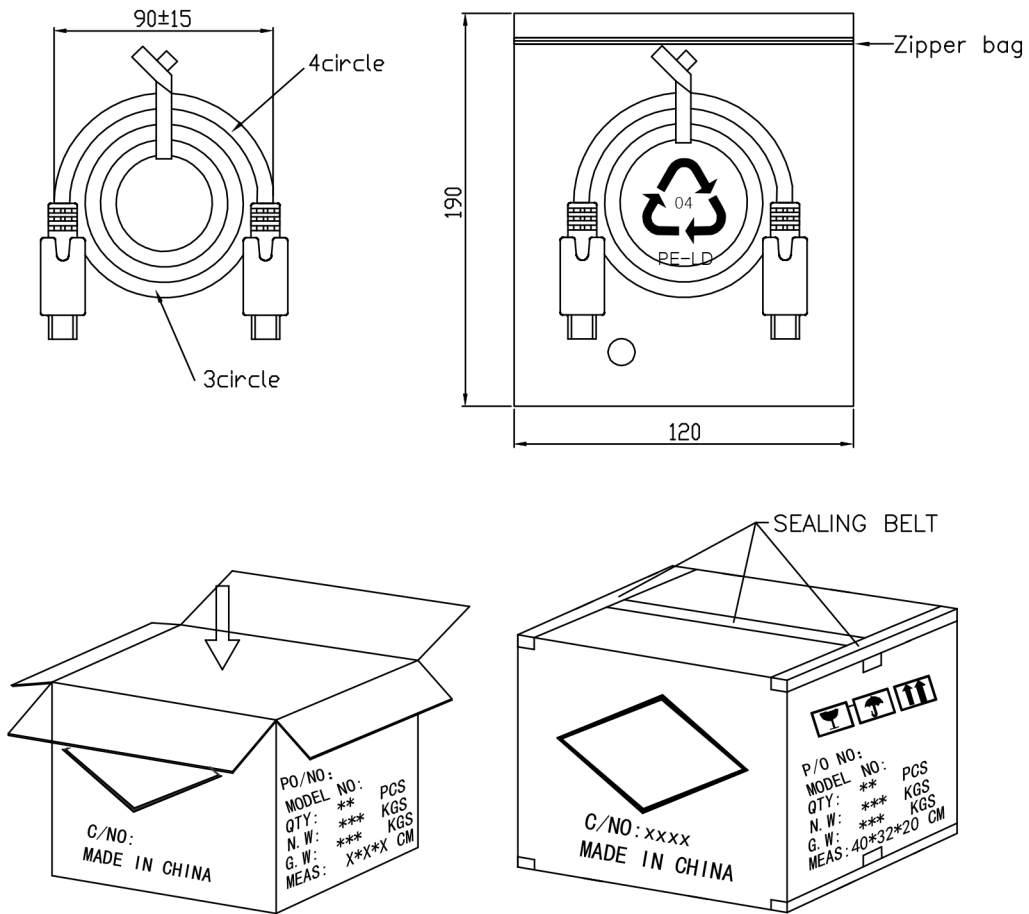
| P1 | Signal Name | P2 | Signal Name |
|---------------|-------------|---------------|-------------|
| A1,B1,A12,B12 | GND | A1,B1,A12,B12 | GND |
| A4,B4,A9,B9 | VBUS | A4,B4,A9,B9 | VBUS |
| A5 | CC | A5 | CC |
| A6 | Dp1 | A6 | Dp1 |
| A7 | Dn1 | A7 | Dn1 |
| A2 | SSTXp1 | B11 | SSRXp1 |
| A3 | SSTXn1 | B10 | SSRXn1 |
| B11 | SSRXp1 | A2 | SSTXp1 |
| B10 | SSRXn1 | A3 | SSTXn1 |
| SHELL | BRAID | SHELL | |

PACKAGING

units: mm

Carton Size: 460 x 300 x 300 mm

Carton QTY: 200 pcs



REVISION HISTORY

| rev. | description | date |
|------|-----------------|------------|
| 1.0 | initial release | 12/20/2018 |
| 1.01 | brand update | 02/18/2020 |

The revision history provided is for informational purposes only and is believed to be accurate.

CUI DEVICES

CUI Devices offers a one (1) year limited warranty. Complete warranty information is listed on our website.

CUI Devices reserves the right to make changes to the product at any time without notice. Information provided by CUI Devices is believed to be accurate and reliable. However, no responsibility is assumed by CUI Devices for its use, nor for any infringements of patents or other rights of third parties which may result from its use.

CUI Devices products are not authorized or warranted for use as critical components in equipment that requires an extremely high level of reliability. A critical component is any component of a life support device or system whose failure to perform can be reasonably expected to cause the failure of the life support device or system, or to affect its safety or effectiveness.

X-ON Electronics

Largest Supplier of Electrical and Electronic Components

Click to view similar products for [USB Cables / IEEE 1394 Cables](#) category:

Click to view products by [CUI Devices](#) manufacturer:

Other Similar products are found below :

[68768-0173](#) [FNY-W6003-01](#) [88764-0800](#) [148700-1](#) [17-200621](#) [17-250051P](#) [954](#) [17-200261](#) [AC102012-1](#) [AC102012-2](#) [FTP-629Y601](#) [45-1345-15](#) [45-1358-15](#) [45-1363-15](#) [IP-USB1\(C10\)S-RW](#) [CABLE/RTP/USB/DT](#) [45-1351-15](#) [45-1357-15](#) [45-1433-1](#) [687680278](#)
[USBFTVX2SA2N03A](#) [USBFTV2SA2N03A](#) [USBFTV2SA2N05A](#) [MDM9PH004B](#) [MDM9PH004P](#) [FTP-629Y401](#) [FTP-628Y302](#) [FTP-628Y402](#) [CSMNB9MF-5](#) [FNY-W6022](#) [UA-30AMF-SD7B03](#) [UA-30AMFM-SL7B03](#) [USBAPSCC7202A](#) [17-200641](#) [UES-1001A160](#) [UES-1003A160](#) [USBFTVX7SA2N20A](#) [FTP-629Y602](#) [USBCAMCM100](#) [USB A/F*2 to 2.54 2*5P-SH L=400mm](#) [68784-0075](#) [MINI-SCREW-USB-DATACABLE](#) [19800-010500-200-RS](#) [103-1092-BL-F0050](#) [103-1020-BL-00100](#) [103-1092-BL-F0200](#) [103-1092-BL-F0100](#) [105-1092-BL-00300](#) [105-1092-BL-00200](#) [105-1031-BL-00200](#)