

## SERIES: CDM1232 | DESCRIPTION: M12 CABLE

### FEATURES

- M12 molded male cable connector
- A code
- straight
- IP67
- 1, 2, & 3 meter length options



### SPECIFICATIONS

| parameter                  | conditions/description        | min | typ   | max | units  |
|----------------------------|-------------------------------|-----|-------|-----|--------|
| rated voltage              | 3 & 4 pole models             |     |       | 250 | V      |
|                            | 5 pole model                  |     |       | 60  | V      |
|                            | 8 & 12 pole models            |     |       | 30  | V      |
| rated current              | 3, 4, & 5 pole models         |     |       | 4   | A      |
|                            | 8 pole model                  |     |       | 2   | A      |
|                            | 12 pole model                 |     |       | 1.5 | A      |
| withstanding voltage       | for 1 minute                  |     | 1,500 |     | Vac    |
| contact resistance         |                               |     |       | 10  | mΩ     |
| insulation resistance      | at 500 Vdc for 1 minute       | 100 |       |     | MΩ     |
| insertion/withdrawal force |                               | 0.3 |       | 3.0 | kgf    |
| operating temperature      |                               | -25 |       | 80  | °C     |
| life                       |                               | 100 |       |     | cycles |
| safety approvals           | compliant with IEC61076-2-101 |     |       |     |        |
| flammability rating        | see material table            |     |       |     |        |
| RoHS                       | yes                           |     |       |     |        |
| IP level                   | IP67 (in mated condition)     |     |       |     |        |

### PART NUMBER KEY

**CDM1232 - XX A - 02MST - XX - 67**

Base Number

No. of Poles (A-Coding):

03 = 3  
04 = 4  
05 = 5  
08 = 8  
12 = 12

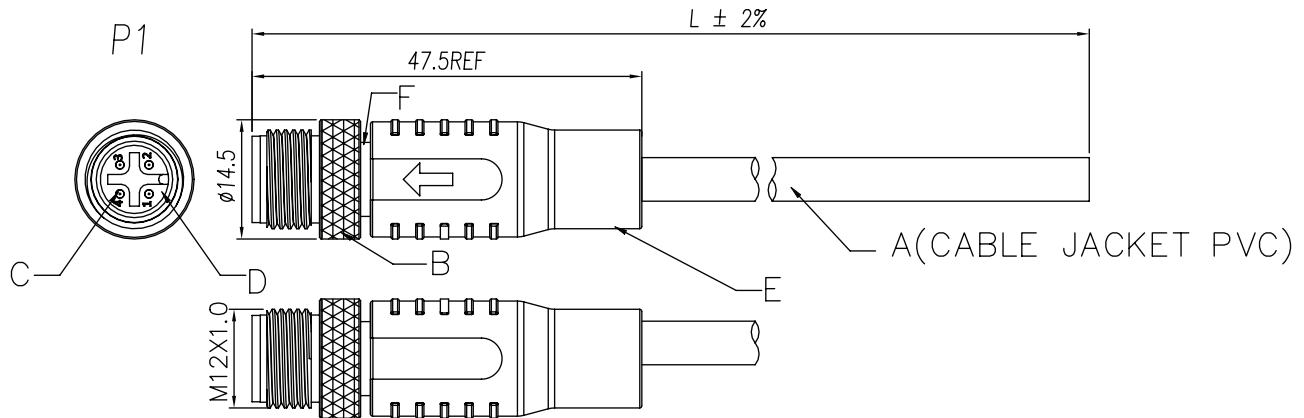
Cable Length:

1M = 1 m  
2M = 2 m  
3M = 3 m

## MECHANICAL DRAWING

units: mm  
 tolerance:  
 0.5<X≤6.0: ±0.1 mm  
 6.0<X≤30.0: ±0.2 mm  
 unless otherwise noted

| ITEM | DESCRIPTION     | MATERIAL                 | PLATING/COLOR |
|------|-----------------|--------------------------|---------------|
| A    | cable           | UL 2464<br>PVC (UL94V-0) | black         |
| B    | M12x1.0 nut     | brass                    | nickel        |
| C    | terminals; male | brass                    | gold          |
| D    | housing; male   | PA66 (UL94V-0)           | black         |
| E    | overmold        | TPU (UL94V-0)            | black         |
| F    | shield pipe     | brass                    | nickel        |



| No. of Poles |       | 3                          | 4                          | 5                          | 8                          | 12                          |
|--------------|-------|----------------------------|----------------------------|----------------------------|----------------------------|-----------------------------|
| A-Coding     |       |                            |                            |                            |                            |                             |
| Pin#         | Cable | 22 AWG X 3C<br>OD: Ø5.0 mm | 22 AWG X 4C<br>OD: Ø5.5 mm | 22 AWG X 5C<br>OD: Ø5.8 mm | 24 AWG X 8C<br>OD: Ø6.0 mm | 26 AWG X 12C<br>OD: Ø6.6 mm |
| 1            |       | brown                      | brown                      | brown                      | white                      | brown                       |
| 2            |       | ---                        | white                      | white                      | brown                      | blue                        |
| 3            |       | blue                       | blue                       | blue                       | green                      | white                       |
| 4            |       | black                      | black                      | black                      | yellow                     | green                       |
| 5            |       | ---                        | ---                        | gray                       | gray                       | pink                        |
| 6            |       | ---                        | ---                        | ---                        | pink                       | yellow                      |
| 7            |       | ---                        | ---                        | ---                        | blue                       | black                       |
| 8            |       | ---                        | ---                        | ---                        | red                        | gray                        |
| 9            |       | ---                        | ---                        | ---                        | ---                        | red                         |
| 10           |       | ---                        | ---                        | ---                        | ---                        | violet                      |
| 11           |       | ---                        | ---                        | ---                        | ---                        | gray/pink                   |
| 12           |       | ---                        | ---                        | ---                        | ---                        | red/blue                    |
| shield       |       | braided wire               | braided wire               | braided wire               | braided wire               | braided wire                |

## REVISION HISTORY

---

| rev. | description     | date       |
|------|-----------------|------------|
| 1.0  | initial release | 04/11/2022 |

The revision history provided is for informational purposes only and is believed to be accurate.

---

# CUI DEVICES

CUI Devices offers a one (1) year limited warranty. Complete warranty information is listed on our website.

CUI Devices reserves the right to make changes to the product at any time without notice. Information provided by CUI Devices is believed to be accurate and reliable. However, no responsibility is assumed by CUI Devices for its use, nor for any infringements of patents or other rights of third parties which may result from its use.

CUI Devices products are not authorized or warranted for use as critical components in equipment that requires an extremely high level of reliability. A critical component is any component of a life support device or system whose failure to perform can be reasonably expected to cause the failure of the life support device or system, or to affect its safety or effectiveness.

## X-ON Electronics

Largest Supplier of Electrical and Electronic Components

*Click to view similar products for [Sensor Cables / Actuator Cables](#) category:*

*Click to view products by [CUI Devices](#) manufacturer:*

Other Similar products are found below :

[60963](#) [60964](#) [M83513/19-F01CP](#) [703000D02F2002](#) [703000D02F300](#) [703001D02F0602](#) [703001D02F1201](#) [703001D02F300](#)  
[773032K02F030](#) [802027213811-1](#) [804001A09M150](#) [805001A09M0502](#) [84914-0235](#) [84914-0237](#) [885030A09M010](#) [8R4006A18M010](#)  
[8R4J30E03C3003](#) [1200650503](#) [1200651713](#) [1200660844](#) [1200660845](#) [1200661173](#) [1200680071](#) [1200720053](#) [1200720081](#) [1200720094](#)  
[1200720099](#) [1200720217](#) [1200800231](#) [1200860125](#) [1200870123](#) [1200660183](#) [1200660782](#) [1200660849](#) [1200661295](#) [1200661297](#)  
[1200661342](#) [1200661343](#) [1200670080](#) [1200680331](#) [1200720252](#) [1200720255](#) [1200720597](#) [1200730184](#) [1200860344](#) [1200870359](#)  
[1200870643](#) [1200980008](#) [1200980031](#) [1210502211](#)