

SERIES: CDM807 | **DESCRIPTION:** M8 CONNECTOR**FEATURES**

- M8 female connector
- A & B code versions
- panel mount
- IP67

**SPECIFICATIONS**

| parameter | conditions/description | min | typ | max | units |
|----------------------------|---|-----|-------|-----|--------|
| rated voltage | 3 & 4 pole models | | | 60 | V |
| | 5, 6, & 8 pole models | | | 30 | V |
| rated current | 3, 4, & 5 pole models | | | 3 | A |
| | 6 & 8 pole models | | | 1.5 | A |
| withstanding voltage | for 1 minute | | 1,500 | | Vac |
| contact resistance | | | | 10 | mΩ |
| insulation resistance | at 500 Vdc for 1 minute | 100 | | | MΩ |
| insertion/withdrawal force | | 0.3 | | 1.5 | kgf |
| operating temperature | | -25 | | 80 | °C |
| life | | 100 | | | cycles |
| safety approvals | compliant with IEC61076-2-104 | | | | |
| flammability rating | see material table | | | | |
| RoHS | yes | | | | |
| IP level | IP67 (in mated condition) | | | | |
| packaging | box QTY: 200 pcs per box carton size: 270 x 215 x 107 mm carton QTY: 600 pcs per carton | | | | |

SOLDERABILITY

| parameter | conditions/description | min | typ | max | units |
|----------------|------------------------|-----|-----|-----|-------|
| hand soldering | for maximum 3 seconds | 360 | 380 | 400 | °C |

PART NUMBER KEY

CDM807 - XXX - FW - R805 - 050 - 67

Base Number

No. of Poles:

03A = 3 (A-Coding)

04A = 4 (A-Coding)

05B = 5 (B-Coding)

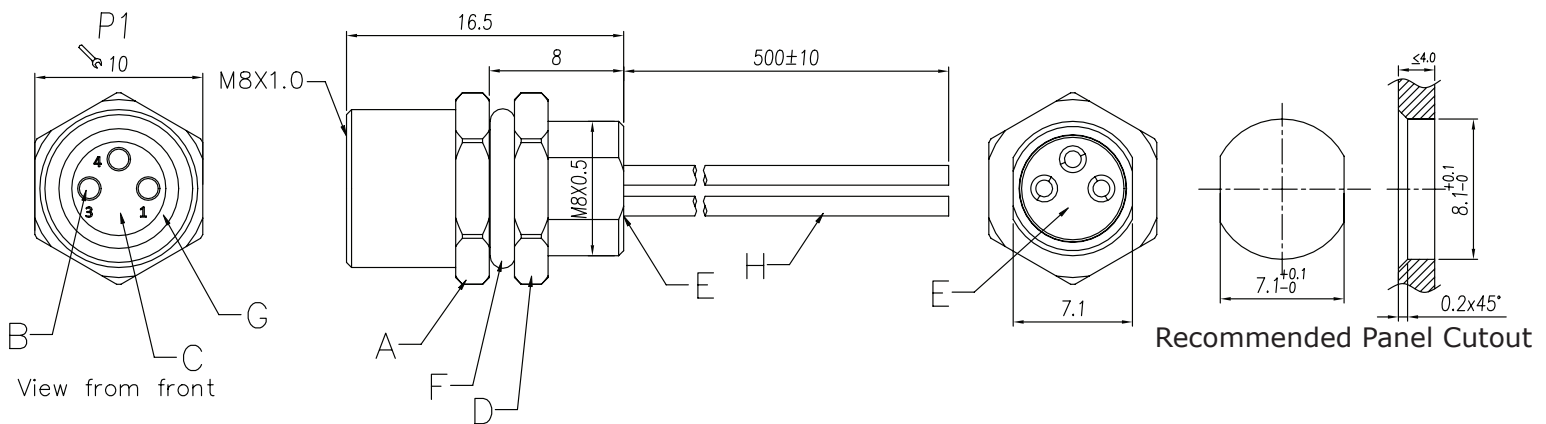
06A = 6 (A-Coding)

08A = 8 (A-Coding)

MECHANICAL DRAWING

units: mm
 tolerance:
 0.5<X≤6.0: ±0.1 mm
 6.0<X≤30.0: ±0.2 mm
 unless otherwise noted

| ITEM | DESCRIPTION | MATERIAL | PLATING/COLOR |
|------|-------------------|------------------|---------------|
| A | M8x1.0 screw | brass | nickel |
| B | terminals; female | brass | gold |
| C | housing; female | PA66 (UL94V-0) | black |
| D | M8x0.5 nut | brass | nickel |
| E | resin | epoxy resin | black |
| F | o-ring | FKM | black |
| G | o-ring | FKM | orange |
| H | wire | UL 1061 L=505 mm | |



| No. of Poles | 3 | 4 | 5 | 6 | 8 |
|--------------|--------------|--------------|--------------|--------------|--------------|
| A-Coding | A-Coding | A-Coding | B-Coding | A-Coding | A-Coding |
| Wire Size | 24 AWG | 24 AWG | 24 AWG | 26 AWG | 26 AWG |
| Pin # | | | | | |
| 1 | brown | brown | brown | brown | white |
| 2 | --- | white | white | white | brown |
| 3 | blue | blue | blue | blue | green |
| 4 | black | black | black | black | yellow |
| 5 | --- | --- | gray | gray | gray |
| 6 | --- | --- | --- | pink | pink |
| 7 | --- | --- | --- | | blue |
| 8 | --- | --- | --- | | red |

REVISION HISTORY

| rev. | description | date |
|------|-----------------|------------|
| 1.0 | initial release | 07/20/2022 |

The revision history provided is for informational purposes only and is believed to be accurate.

CUI DEVICES

CUI Devices offers a one (1) year limited warranty. Complete warranty information is listed on our website.

CUI Devices reserves the right to make changes to the product at any time without notice. Information provided by CUI Devices is believed to be accurate and reliable. However, no responsibility is assumed by CUI Devices for its use, nor for any infringements of patents or other rights of third parties which may result from its use.

CUI Devices products are not authorized or warranted for use as critical components in equipment that requires an extremely high level of reliability. A critical component is any component of a life support device or system whose failure to perform can be reasonably expected to cause the failure of the life support device or system, or to affect its safety or effectiveness.

X-ON Electronics

Largest Supplier of Electrical and Electronic Components

Click to view similar products for [Circular Metric Connectors](#) category:

Click to view products by [CUI Devices](#) manufacturer:

Other Similar products are found below :

[600X518037X](#) [MA1EAF1200](#) [6STD15PCR99B70A](#) [8R4000A16M020](#) [8R4A00A18M020](#) [8R5000A16M005](#) [1200910008](#) [1200910011](#)
[1300140094](#) [130203-0054](#) [1300150099](#) [RF-12S1N8A90DU](#) [1-3637-600-5205](#) [1612618](#) [8R4006A16M010](#) [8R5006A18A120](#) [1604232](#)
[1R3006A20M005](#) [RF-12P1N8A80DU](#) [RF-12P1N8A90DU](#) [41-01016](#) [41-40011](#) [41-40017](#) [42-01015](#) [4-22279-4](#) [4-22281-1](#) [4-22284-9](#) [43-](#)
[00002](#) [43-01166](#) [41-40005](#) [41-40016](#) [43-00161](#) [43-01191](#) [XS3P-M421-2](#) [600X518050X](#) [SACC-DSI-FS-5P-PG9-L180 SC](#) [8R4006A16A120](#)
[8R4000A16M010](#) [RKC 50/16](#) [1R3004A20A1201](#) [6-22279-3](#) [N03FA03144](#) [1300140077](#) [XS8A-0441](#) [859RD04-103R004](#) [860RD04-113R004](#)
[860RD04-213R004](#) [860-X08-213R004](#) [1-213245-2](#) [2273142-2](#)