

**SERIES:** CDS-4221-44XX | **DESCRIPTION:** SPEAKER

**FEATURES**

- double magnet design
- 4 ohm
- 83 dB at 1 m


**SPECIFICATIONS**

| parameter               | conditions/description                                        | min | typ  | max    | units        |
|-------------------------|---------------------------------------------------------------|-----|------|--------|--------------|
| input power             |                                                               |     | 4.0  | 5.0    | W            |
| impedance               | at 1 kHz, 2.0 V                                               | 3.4 | 4    | 4.6    | $\Omega$     |
| resonant frequency (Fo) | at 2.0 V                                                      | 184 | 230  | 276    | Hz           |
| frequency response      |                                                               | Fo  |      | 20,000 | Hz           |
| sound pressure level    | at 1.0 W, 1 m, 1 kHz                                          | 80  | 83   | 86     | dB           |
| distortion              | at 150-200 Hz                                                 |     |      | 20     | %            |
|                         | at 300 Hz                                                     |     |      | 12     | %            |
|                         | at 1 kHz                                                      |     |      | 5      | %            |
| buzz, rattle, etc.      | must be normal at sine wave between Fo-20 kHz frequency range |     |      | 2.83   | V            |
| polarity                | cone moves forward w/ positive dc current to "+" terminal     |     |      |        |              |
| dimensions              | 42.5 x 42.5 x 21.6                                            |     |      |        | mm           |
| magnet                  | Nd-Fe-B ( $\emptyset$ 15.5 x 5 mm, $\emptyset$ 15.5 x 2 mm)   |     |      |        |              |
| frame material          | SPCC (black)                                                  |     |      |        |              |
| cone material           | paper (black)                                                 |     |      |        |              |
| weight                  |                                                               |     | 37.8 |        | g            |
| operating temperature   |                                                               | -20 |      | 60     | $^{\circ}$ C |
| storage temperature     |                                                               | -25 |      | 70     | $^{\circ}$ C |
| hand soldering          | for 3-5 seconds                                               | 370 | 380  | 390    | $^{\circ}$ C |
| RoHS                    | yes                                                           |     |      |        |              |

Notes: 1. All specifications measured at 18-22 $^{\circ}$ C, humidity at 65 $\pm$ 5%, 86-106 kPa, unless otherwise noted.

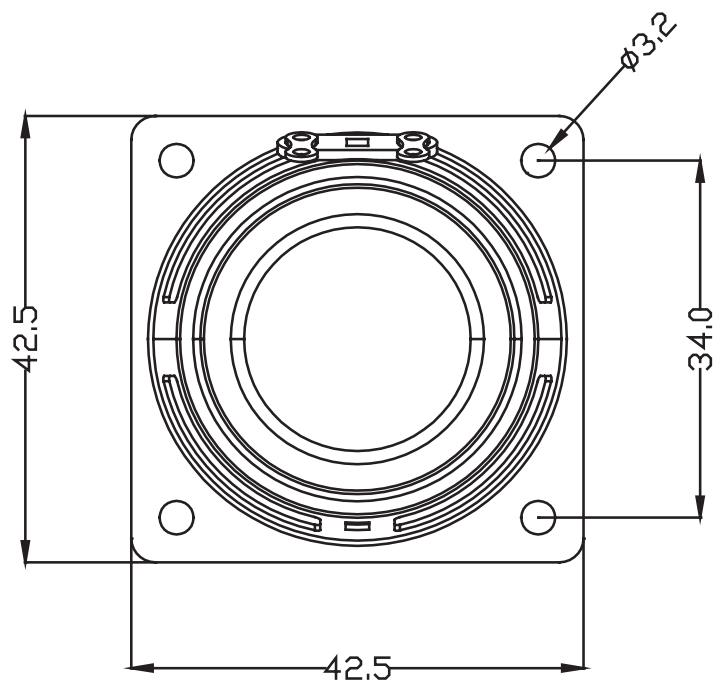
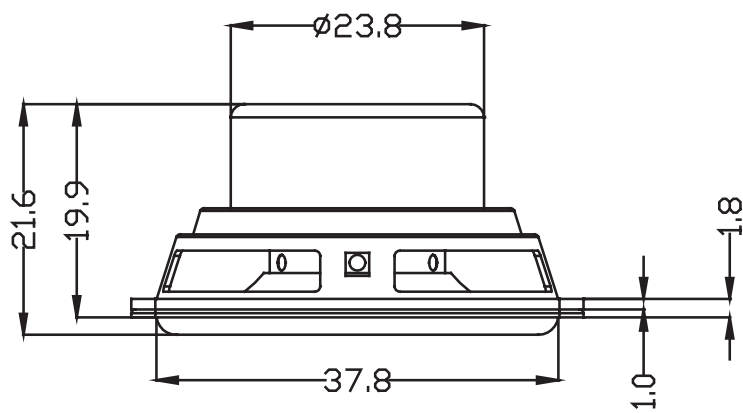
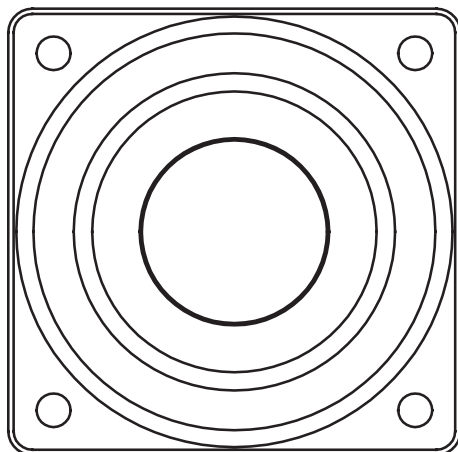
**PART NUMBER KEY**
**CDS - 4221 - 44 XX**

Base Number

 Termination Options:  
 SP = solder terminals  
 L100 = wire leads

## MECHANICAL DRAWING (SOLDER TERMINALS)

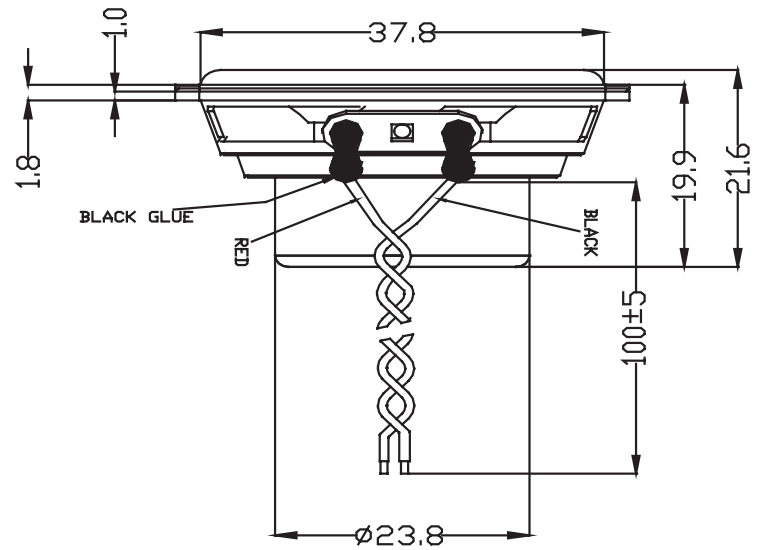
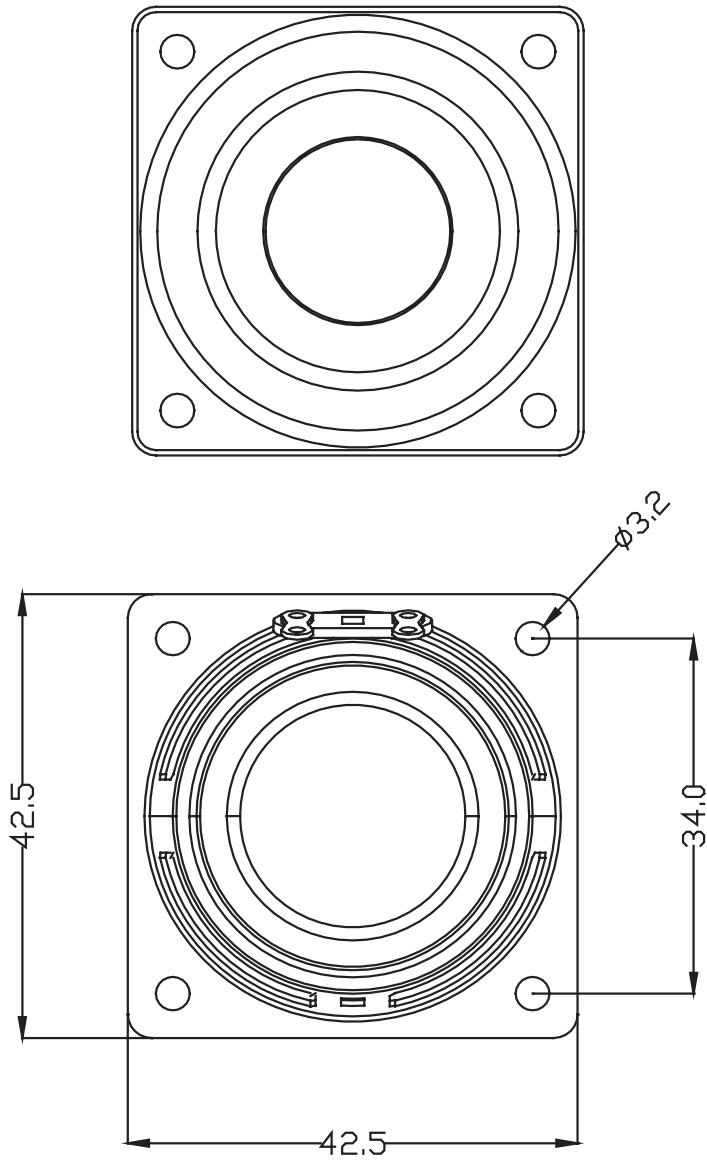
units: mm  
 tolerance:  $\pm 0.5$  mm  
 unless specified otherwise



## MECHANICAL DRAWING (WIRE LEADS)

units: mm  
tolerance:  $\pm 0.5$  mm  
unless specified otherwise

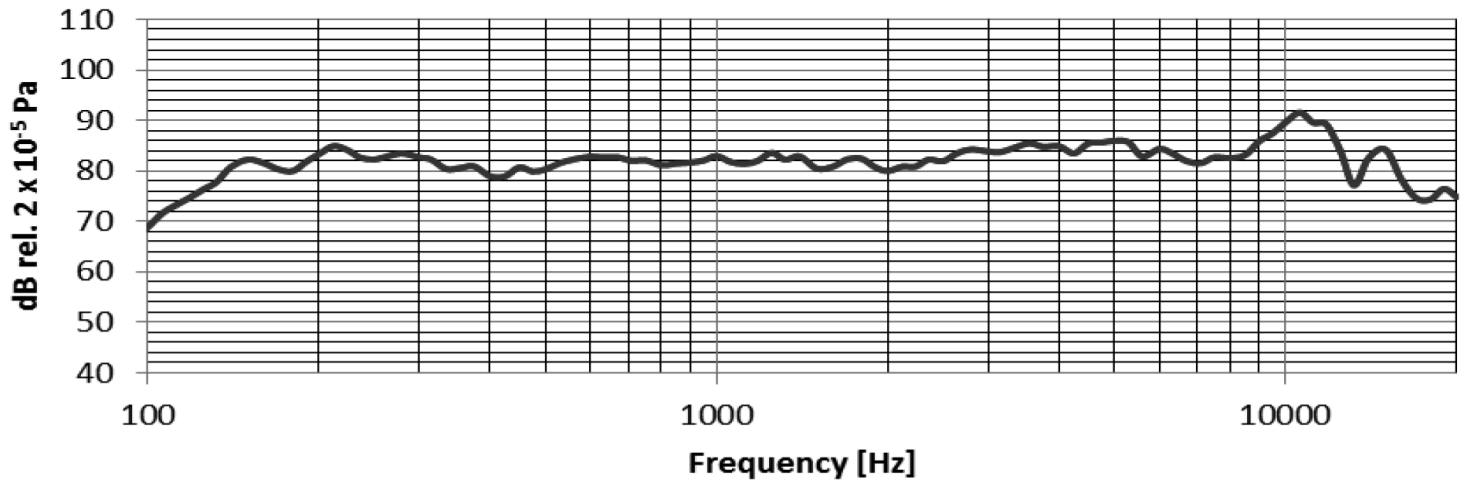
wire: UL1571 28 AWG



## RESPONSE CURVES

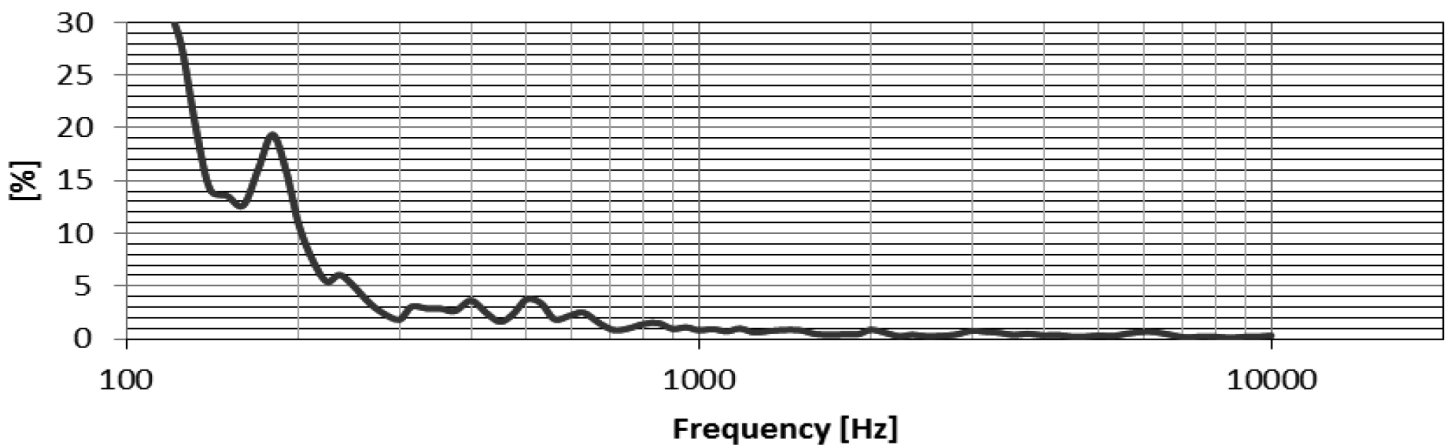
### Frequency Response Curve

Test Conditions: 1.0 W / 1.0 m



### Total Harmonic Distortion Curve

Test Conditions: 1.0 W / 1.0 m



## REVISION HISTORY

| rev. | description     | date       |
|------|-----------------|------------|
| 1.0  | initial release | 07/13/2023 |

The revision history provided is for informational purposes only and is believed to be accurate.



CUI Devices offers a one (1) year limited warranty. Complete warranty information is listed on our website.

CUI Devices reserves the right to make changes to the product at any time without notice. Information provided by CUI Devices is believed to be accurate and reliable. However, no responsibility is assumed by CUI Devices for its use, nor for any infringements of patents or other rights of third parties which may result from its use.

CUI Devices products are not authorized or warranted for use as critical components in equipment that requires an extremely high level of reliability. A critical component is any component of a life support device or system whose failure to perform can be reasonably expected to cause the failure of the life support device or system, or to affect its safety or effectiveness.

[cuidevices.com](http://cuidevices.com)

## X-ON Electronics

Largest Supplier of Electrical and Electronic Components

*Click to view similar products for [Speakers & Transducers](#) category:*

*Click to view products by [CUI Devices](#) manufacturer:*

Other Similar products are found below :

[FC-30814-P127](#) [AS02832MR-2-R](#) [PB-1220PE](#) [PB-2015PQ](#) [SWFK-31736-000](#) [PT-2065FW](#) [PT-4175W](#) [PB-0927PQ](#) [MBS 3000-1811-A1AB08-0](#) [SMS2020-08H4.5 LF](#) [BDT1717-08H6.5W56MLF](#) [AS03608MR-LW100-R](#) [SP570445-4](#) [GSPK5010TN-4R2W](#) [GSPK5010TN-4R3W](#) [KLJ-1504R8W0.5-L44](#) [FS7423NB0430-H10.0](#) [FS50DS0430-H12.7 PEI](#) [FS3511NB0808-H6.7-R01](#) [FS66W04100-H31](#) [FS45DS0880-H24.8-R02](#) [FS32NS0820-H5.8-R01](#) [FS2112NB0807-H7.0-R01](#) [FS50DS0430-H13.3-R24](#) [FS3411P08-H4.0](#) [FS26NS0820-H4.9-R01](#) [FS14430NB0880-H30-R01](#) [FS5835DS0850-H19.4-R01](#) [FS2011NB0807-H3.9-R01](#) [FS28DS0820-H9.4-R01](#) [FS66W0850-H22](#) [FS40DS0830-H11.2-P2.0-L100](#) [FS28DS0830-H15.3](#) [FS102W0480-H35](#) [FS3525NS0820-H5.5-R01](#) [FS5035NB0820-H26.8-R01](#) [FS27DS0830-H10.8-R01](#) [FS3915NB0808-H11.5-R01](#) [FS3020NB0808-H4.0-R01](#) [FS3616NB0808-H10-R01](#) [FS3514NB0808-H6.0-R01](#) [FS40DS0450-H18.3](#) [FS77W0450-H23.5](#) [FS77W0850-H25.5](#) [FS78W0850-H34](#) [FS102W04200-H40](#) [FS3411P04-H4.0](#) [FS3232NB0820-H15.3-R01](#) [FS50DS0830-H12.7 PEI](#) [FS5630NB0830-H9.4-R01](#)