

**MODEL:** CDS-4410-54SP | **DESCRIPTION:** SPEAKER**FEATURES**

- 4 ohm
- rated 5 W
- solder pads

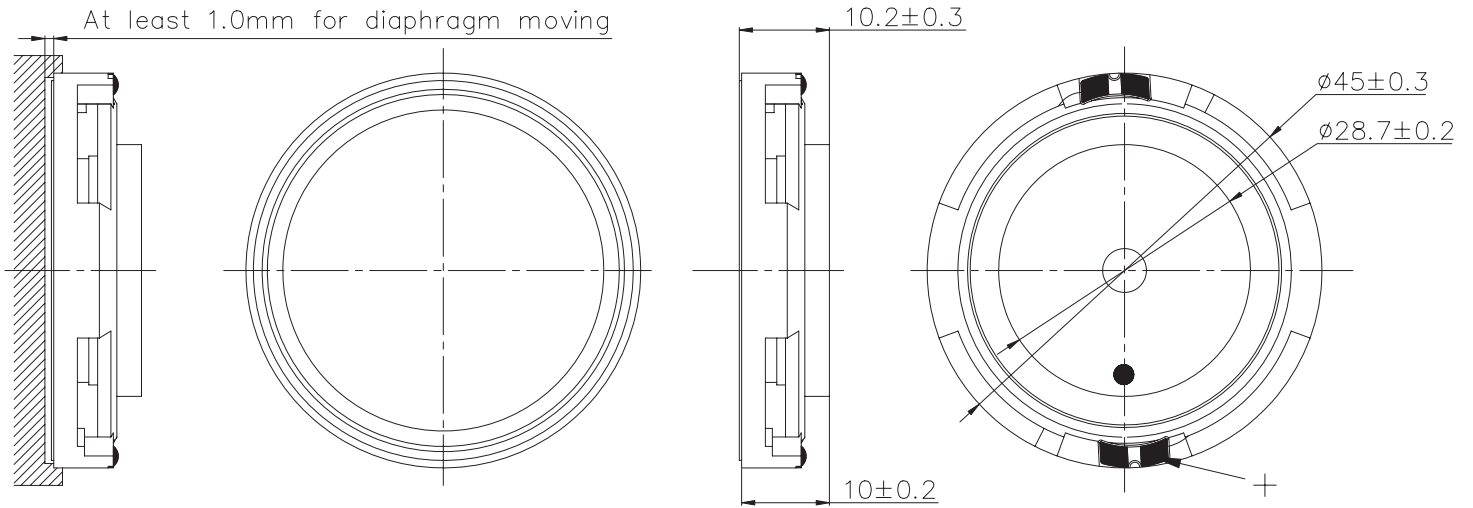
**SPECIFICATIONS**

| parameter               | conditions/description                                    | min | typ | max   | units              |
|-------------------------|---|-----|-----|-------|--------------------|
| input power             |   |     | 5.0 | 6.0   | W                  |
| impedance               |   | 3.4 | 4   | 4.6   | $\Omega$           |
| resonant frequency (Fo) |   | 360 | 450 | 540   | Hz                 |
| frequency response      |   | Fo  |     | 4,000 | Hz                 |
| sound pressure level    | at 1.0 W, 50 cm, avg 0.8, 1.0, 1.2, 1.5 kHz               | 81  | 84  | 87    | dB                 |
| distortion              | at 1.0 kHz, 1.0 W, 50 cm                                  |     |     | 5     | %                  |
| buzz, rattle, etc.      | must be normal at sine wave, frequency range              |     |     | 4.47  | V                  |
| polarity                | cone moves forward w/ positive dc current to "+" terminal |     |     |       |                    |
| dimensions              | $\varnothing 45 \times 10.2$                              |     |     |       | mm                 |
| magnet                  | Nd-Fe-B   |     |     |       |                    |
| frame material          | ABS + 10% GF  |     |     |       |                    |
| cone material           | PU + paper  |     |     |       |                    |
| terminal                | solder pads   |     |     |       |                    |
| weight                  |   |     | 28  |       | g                  |
| operating temperature   |   | -20 |     | 55    | $^{\circ}\text{C}$ |
| storage temperature     |   | -25 |     | 60    | $^{\circ}\text{C}$ |
| hand soldering          | for maximum 2 seconds                                     | 360 |     | 380   | $^{\circ}\text{C}$ |
| RoHS                    | yes   |     |     |       |                    |

Notes: 1. All specifications measured at 15-35 $^{\circ}\text{C}$ , humidity at 25-75%, unless otherwise noted.

## MECHANICAL DRAWING

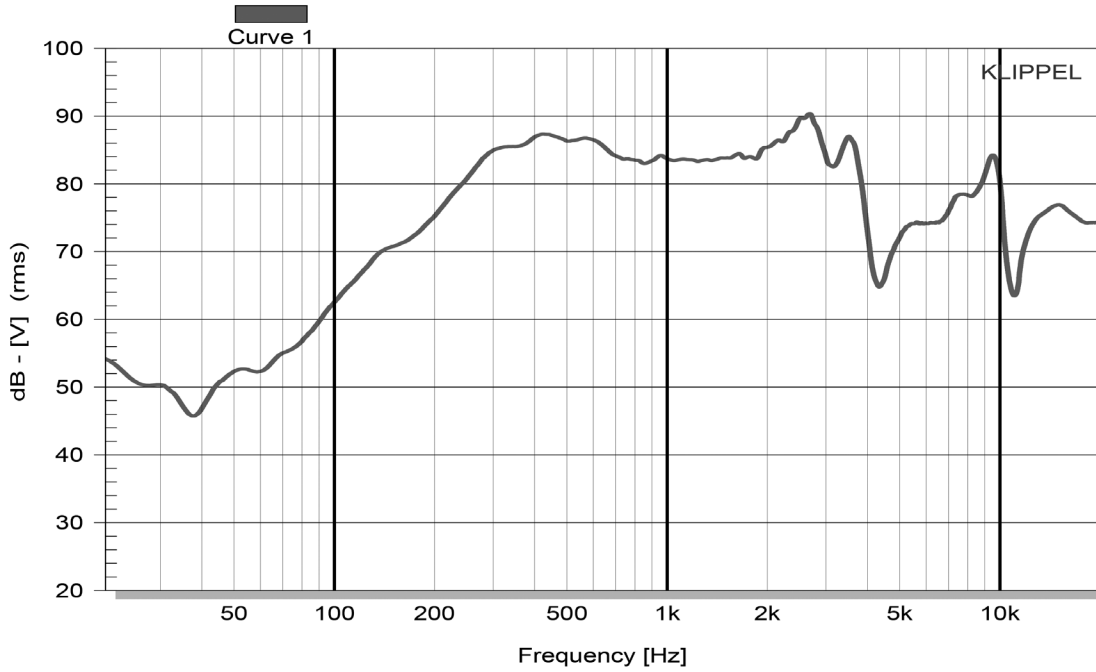
units: mm  
tolerance:  $\pm 0.2$  mm



## RESPONSE CURVES

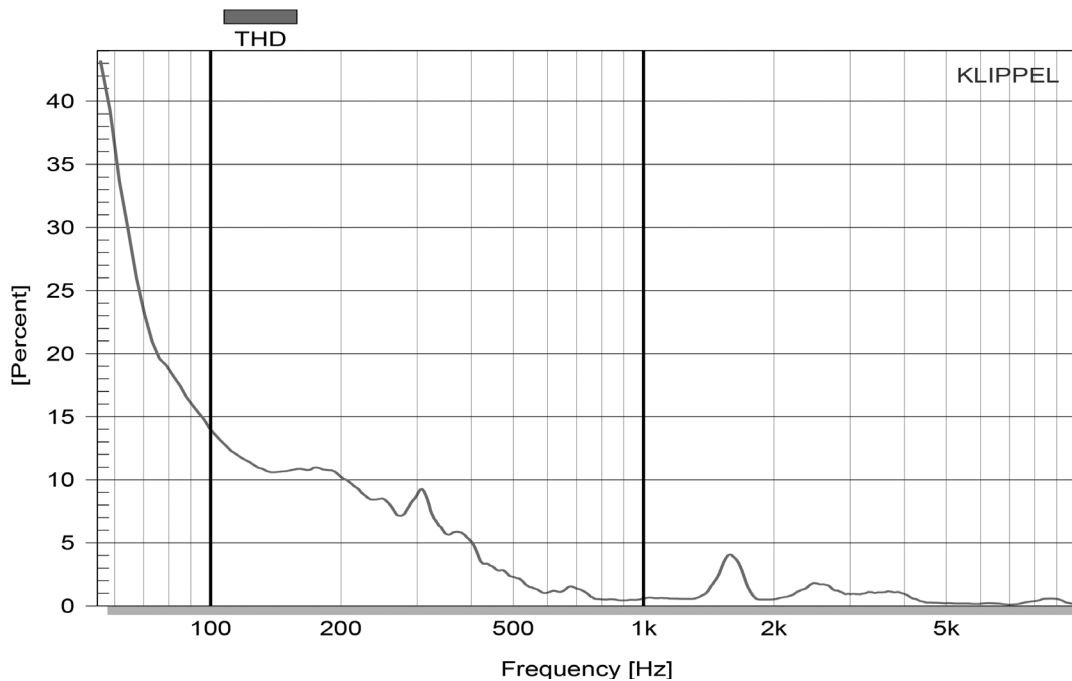
### Frequency Response Curve

Test Conditions: 2.0 V / 50 cm



### Total Harmonic Distortion Curve

Test Conditions: 2.0 V / 50 cm



## REVISION HISTORY

| rev. | description     | date       |
|------|-----------------|------------|
| 1.0  | initial release | 07/06/2023 |

The revision history provided is for informational purposes only and is believed to be accurate.



CUI Devices offers a one (1) year limited warranty. Complete warranty information is listed on our website.

CUI Devices reserves the right to make changes to the product at any time without notice. Information provided by CUI Devices is believed to be accurate and reliable. However, no responsibility is assumed by CUI Devices for its use, nor for any infringements of patents or other rights of third parties which may result from its use.

CUI Devices products are not authorized or warranted for use as critical components in equipment that requires an extremely high level of reliability. A critical component is any component of a life support device or system whose failure to perform can be reasonably expected to cause the failure of the life support device or system, or to affect its safety or effectiveness.

[cuidevices.com](http://cuidevices.com)

## X-ON Electronics

Largest Supplier of Electrical and Electronic Components

*Click to view similar products for [Speakers & Transducers](#) category:*

*Click to view products by [CUI Devices](#) manufacturer:*

Other Similar products are found below :

[FC-30814-P127](#) [AS02832MR-2-R](#) [PB-1220PE](#) [PB-2015PQ](#) [SWFK-31736-000](#) [PT-2065FW](#) [PT-4175W](#) [PB-0927PQ](#) [MBS 3000-1811-A1AB08-0](#) [SMS2020-08H4.5 LF](#) [BDT1717-08H6.5W56MLF](#) [AS03608MR-LW100-R](#) [SP570445-4](#) [GSPK5010TN-4R2W](#) [GSPK5010TN-4R3W](#) [KLJ-1504R8W0.5-L44](#) [FS7423NB0430-H10.0](#) [FS50DS0430-H12.7 PEI](#) [FS3511NB0808-H6.7-R01](#) [FS66W04100-H31](#) [FS45DS0880-H24.8-R02](#) [FS32NS0820-H5.8-R01](#) [FS2112NB0807-H7.0-R01](#) [FS50DS0430-H13.3-R24](#) [FS3411P08-H4.0](#) [FS26NS0820-H4.9-R01](#) [FS14430NB0880-H30-R01](#) [FS5835DS0850-H19.4-R01](#) [FS2011NB0807-H3.9-R01](#) [FS28DS0820-H9.4-R01](#) [FS66W0850-H22](#) [FS40DS0830-H11.2-P2.0-L100](#) [FS28DS0830-H15.3](#) [FS102W0480-H35](#) [FS3525NS0820-H5.5-R01](#) [FS5035NB0820-H26.8-R01](#) [FS27DS0830-H10.8-R01](#) [FS3915NB0808-H11.5-R01](#) [FS3020NB0808-H4.0-R01](#) [FS3616NB0808-H10-R01](#) [FS3514NB0808-H6.0-R01](#) [FS40DS0450-H18.3](#) [FS77W0450-H23.5](#) [FS77W0850-H25.5](#) [FS78W0850-H34](#) [FS102W04200-H40](#) [FS3411P04-H4.0](#) [FS3232NB0820-H15.3-R01](#) [FS50DS0830-H12.7 PEI](#) [FS5630NB0830-H9.4-R01](#)