

SERIES: CES-571423-28PM | **DESCRIPTION:** SPEAKER**FEATURES**

- cloth cone
- paper dust cap
- 2 panel mount flanges
- 305 mm lead wire
- wire leads with connector options

**SPECIFICATIONS**

| parameter | conditions/description | min | typ | max | units |
|-------------------------|---|-----|-----|--------|--------------------|
| input power | max power: 1 second on, 59 seconds off, 60 cycles | | 2.0 | 3.0 | W |
| impedance | at 1.0 kHz, 1 Vrms | 6.8 | 8 | 9.2 | Ω |
| resonant frequency (Fo) | at 1 Vrms, 10 cm | 560 | 700 | 840 | Hz |
| frequency response | as per IEC 268-5 | Fo | | 20,000 | Hz |
| sound pressure level | at 2.0 W, 10 cm, avg at 0.8, 1.0, 1.18, 1.5 kHz | 97 | 100 | 103 | dB |
| distortion | at 2.0 kHz, rated power, 10 cm | | | 10 | % |
| buzz, rattle, etc. | must be normal at sine wave, frequency range | | | 4.0 | V |
| polarity | cone moves forward w/ positive dc current to "+" terminal | | | | |
| dimensions | 57.5 x 23 x 14.85 | | | | mm |
| magnet | Nd-Fe-B | | | | |
| enclosure material | black ABS | | | | |
| cone material | cloth | | | | |
| terminal | wire leads | | | | |
| weight | | 11 | 13 | 15 | g |
| operating temperature | | -20 | | 60 | $^{\circ}\text{C}$ |
| storage temperature | | -30 | | 70 | $^{\circ}\text{C}$ |
| RoHS | yes | | | | |

Notes: 1. All specifications measured at 15~35 $^{\circ}\text{C}$, humidity at 25~75%, under 86~106 kPa pressure, unless otherwise noted.

PART NUMBER KEY**CES-571423-28PM X**

Base Number

Termination Options:

"blank" = wire leads, no connector

A = wire leads with Molex housing 51021-0200

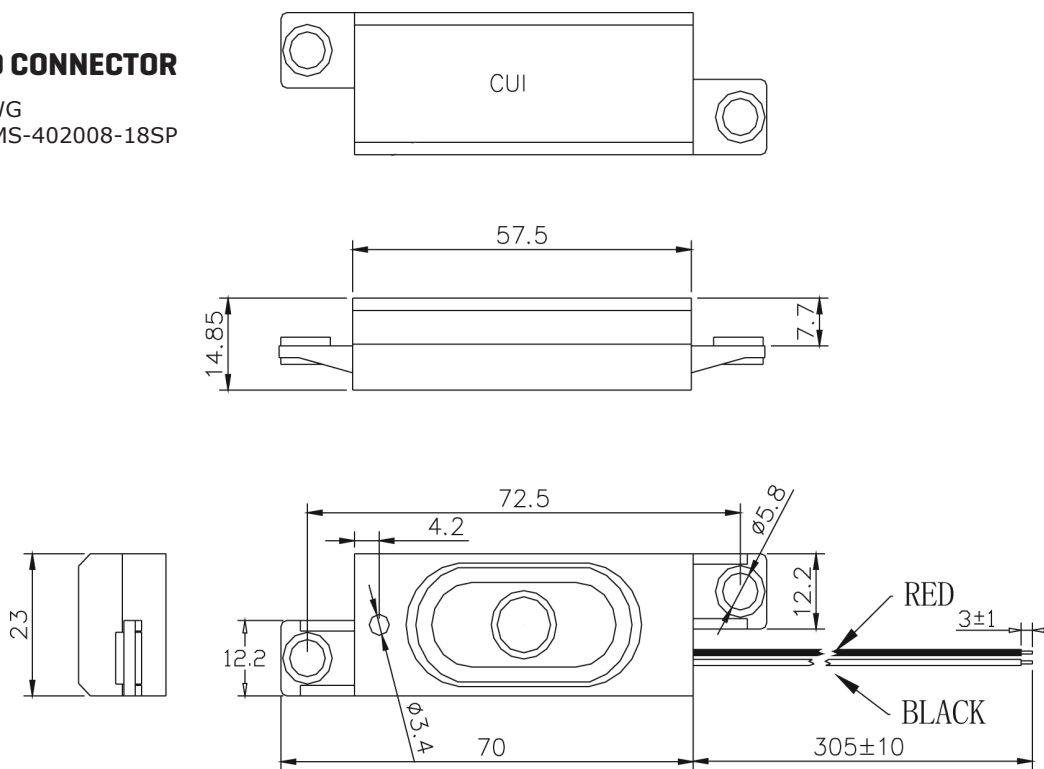
B = wire leads with JST housing SHR-02V-S-B

MECHANICAL DRAWINGS

units: mm
tolerance: ± 0.5 mm

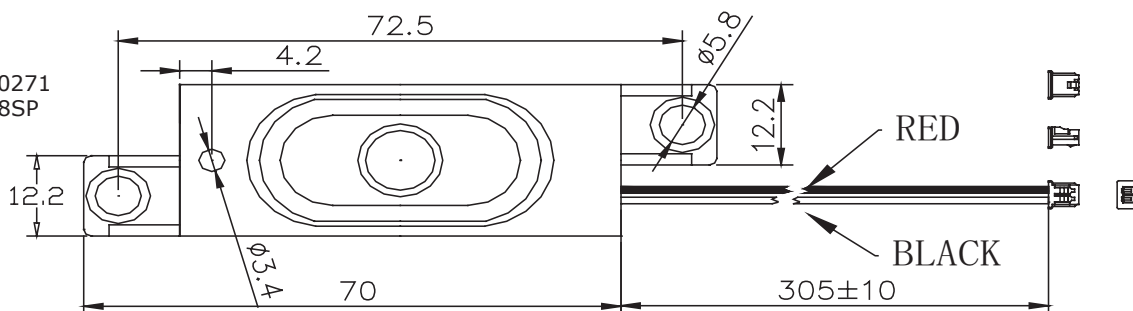
WIRE LEADS, NO CONNECTOR

wire: UL1061 26 AWG
internal speaker: CMS-402008-18SP



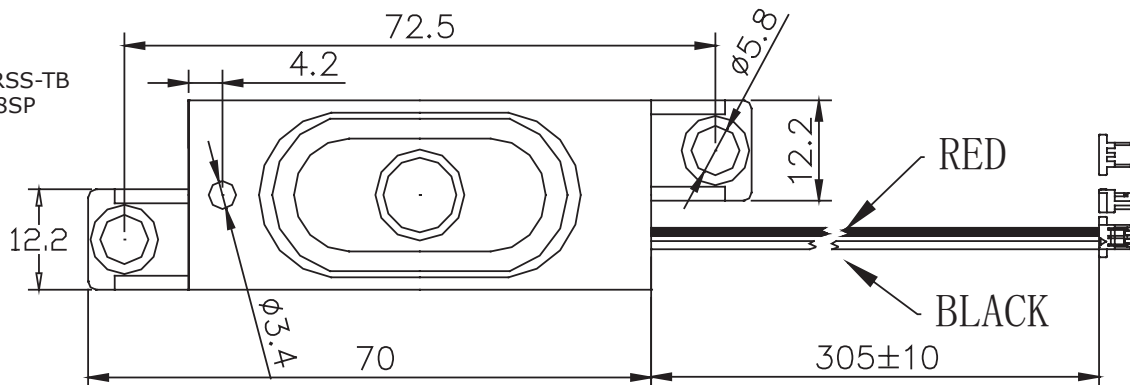
WIRE LEADS WITH MOLEX CONNECTOR

wire: UL 1571 28 AWG
connector: Molex 51021-0200
mating connector: Molex 53261-0271
internal speaker: CMS-402008-18SP



WIRE LEADS WITH JST CONNECTOR

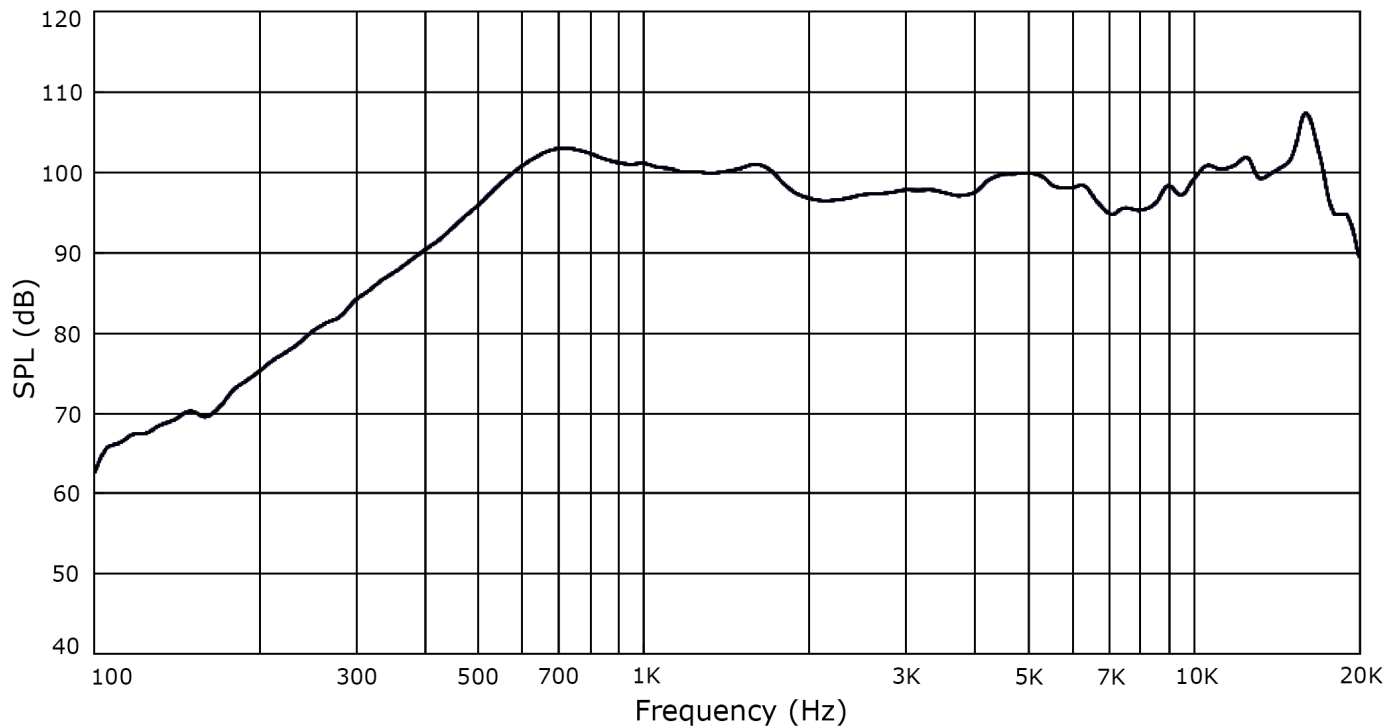
wire: UL 1571 28 AWG
connector: JST SHR-02V-S-B
mating connector: JST BM02B-SRSS-TB
internal speaker: CMS-402008-18SP



RESPONSE CURVES

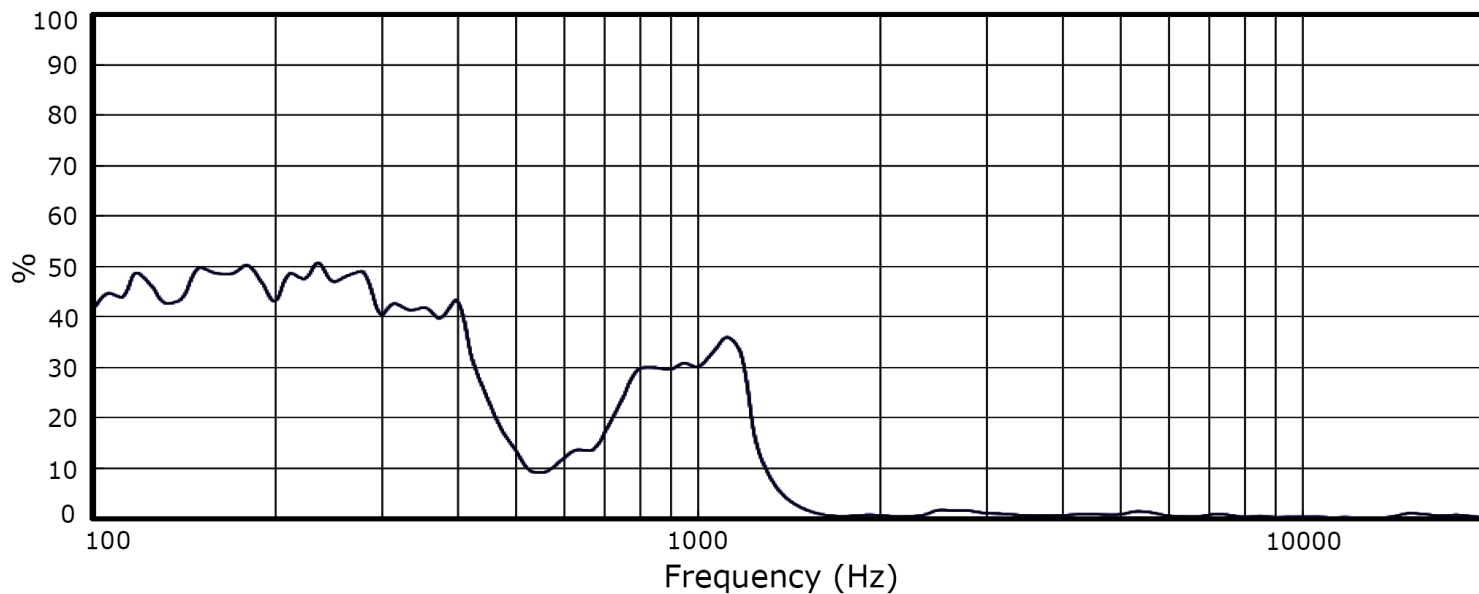
Frequency Response Curve

Test Conditions: 4.0 Vrms / 10 cm



Total Harmonic Distortion Curve

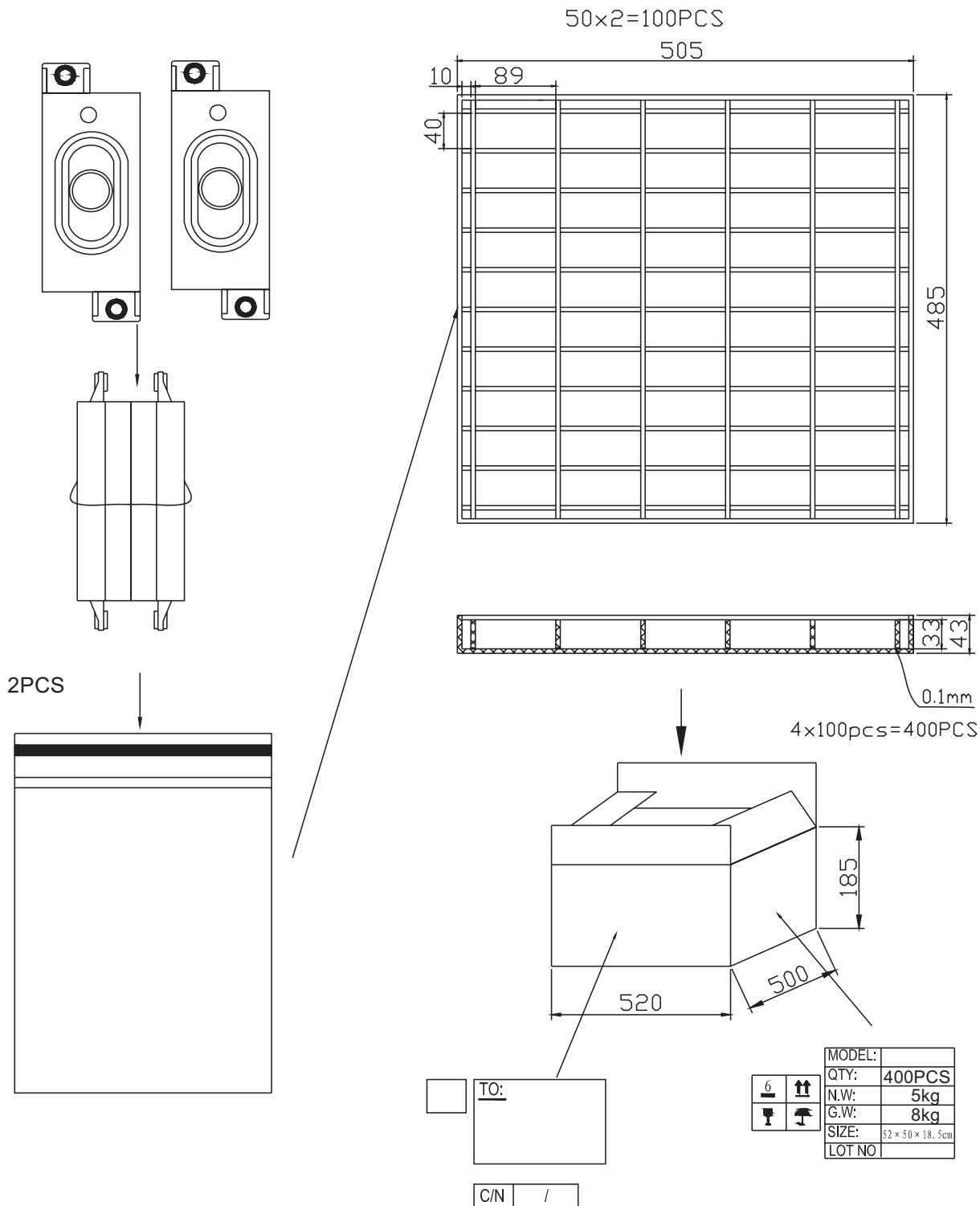
Test Conditions: 4.0 Vrms / 10 cm



PACKAGING

units: mm

Tray QTY: 100 pcs per tray
 Carton Size: 520 x 500 x 185 mm
 Carton QTY: 400 pcs per carton



REVISION HISTORY

| rev. | description | date |
|------|---------------------------------------|------------|
| 1.0 | initial release | 11/06/2019 |
| 1.01 | added internal speaker details | 03/12/2020 |
| 1.02 | added Molex and JST connector options | 10/21/2020 |

The revision history provided is for informational purposes only and is believed to be accurate.

CUI DEVICES

CUI Devices offers a one (1) year limited warranty. Complete warranty information is listed on our website.

CUI Devices reserves the right to make changes to the product at any time without notice. Information provided by CUI Devices is believed to be accurate and reliable. However, no responsibility is assumed by CUI Devices for its use, nor for any infringements of patents or other rights of third parties which may result from its use.

CUI Devices products are not authorized or warranted for use as critical components in equipment that requires an extremely high level of reliability. A critical component is any component of a life support device or system whose failure to perform can be reasonably expected to cause the failure of the life support device or system, or to affect its safety or effectiveness.

X-ON Electronics

Largest Supplier of Electrical and Electronic Components

Click to view similar products for [Speakers & Transducers](#) category:

Click to view products by [CUI Devices](#) manufacturer:

Other Similar products are found below :

[FC-30814-P127](#) [AS02832MR-2-R](#) [PB-1220PE](#) [PB-2015PQ](#) [900-00001](#) [AB2025B-LW50-R](#) [SWFK-31736-000](#) [PT-2065FW](#) [PT-4175W](#) [AT-2830-TW-LW35-R](#) [ED-30761-000](#) [CI-30120-A42](#) [SMT-0440-T-2-R](#) [PB-0927PQ](#) [BF-7083-000](#) [SMS2020-08H4.5 LF](#) [BDT1717-08H6.5W56MLF](#) [GSPK1003PN-8R0.2W-L100](#) [GSPK151103TN-8R0.2W](#) [GSPK2014035PN-8R0.5W-L100](#) [FS5353DS0830-H19.3](#) [TE082703-8](#) [XMLP040BD21F](#) [AS03608MR-LW100-R](#) [24520](#) [SMT-0540-S-2-R](#) [1450069](#) [9091653](#) [9091661](#) [IPS-G6000-5](#) [9090231](#) [FS4014-4-2W](#) [PBM4-13.B29R.A115.0663](#) [PBM4-13.B31R.A115.0663](#) [PBM4-13.B33R.A115.0663](#) [PBM4-13.B35R.A115.0663](#) [A-10-6-BG360-HD1Z-GA-M4Z-ZW](#) [A-10-6-BG410-HD1Z-AA-AGZ-ZW](#) [A-10-6-BG410-HD1Z-AA-M4Z-ZW](#) [A-10-6-BG410-HD1Z-FC-AGZ-ZW](#) [A-10-6-BG410-HD1Z-GA-M4Z-ZW](#) [A-10-6-BG310-HD1Z-AA-AGZ-ZW](#) [A-10-6-BG310-HD1Z-AA-M4Z-ZW](#) [A-10-6-BG310-HD1Z-GA-M4Z-ZW](#) [A-10-6-BG316-HD1Z-AA-AGZ-ZW](#) [A-10-6-BG316-HD1Z-AA-M4Z-ZW](#) [A-10-6-BG325-HD1Z-AA-AGZ-ZW](#) [A-10-6-BG325-HD1Z-AA-M4Z-ZW](#) [A-10-6-BG340-HD1Z-AA-AGZ-ZW](#) [A-10-6-BG340-HD1Z-AA-M4Z-ZW](#)