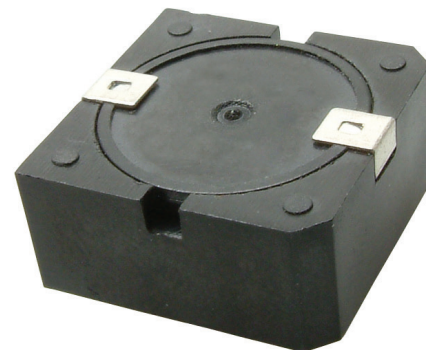


MODEL: CMI-1240-SMT | **DESCRIPTION:** PIEZO BUZZER INDICATOR**FEATURES**

- low current
- washable
- internally driven

**SPECIFICATIONS**

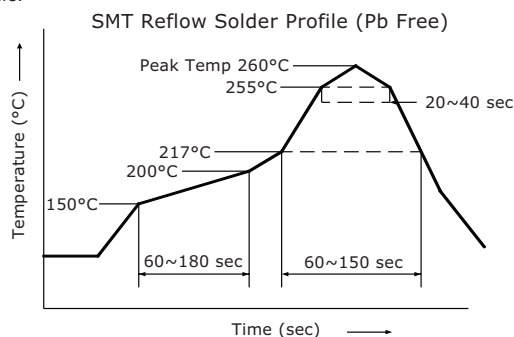
| parameter | conditions/description | min | typ | max | units |
|-----------------------|-------------------------|-------|-------|-------|-------|
| rated voltage | | | 12 | | Vdc |
| operating voltage | | 3 | | 16 | Vdc |
| current consumption | at rated voltage | | | 18 | mA |
| rated frequency | | 3,800 | 4,000 | 4,200 | Hz |
| sound pressure level | at 10 cm, rated voltage | 90 | | | dB |
| dimensions | 16.9 x 16.9 x 7.8 | | | | mm |
| weight | | | | 3.2 | g |
| material | PPS UL-94 V-0 (black) | | | | |
| terminal | SMT type (Au plating) | | | | |
| operating temperature | | -30 | | 70 | °C |
| storage temperature | | -40 | | 80 | °C |
| RoHS | yes | | | | |

Notes: 1. All specifications measured at 5~35°C, humidity at 45~85%, under 86~106 kPa pressure, unless otherwise noted.
2. Add suffix "-TR" to the model number for tape & reel packaging, otherwise packaging will be in tubes.

SOLDERABILITY

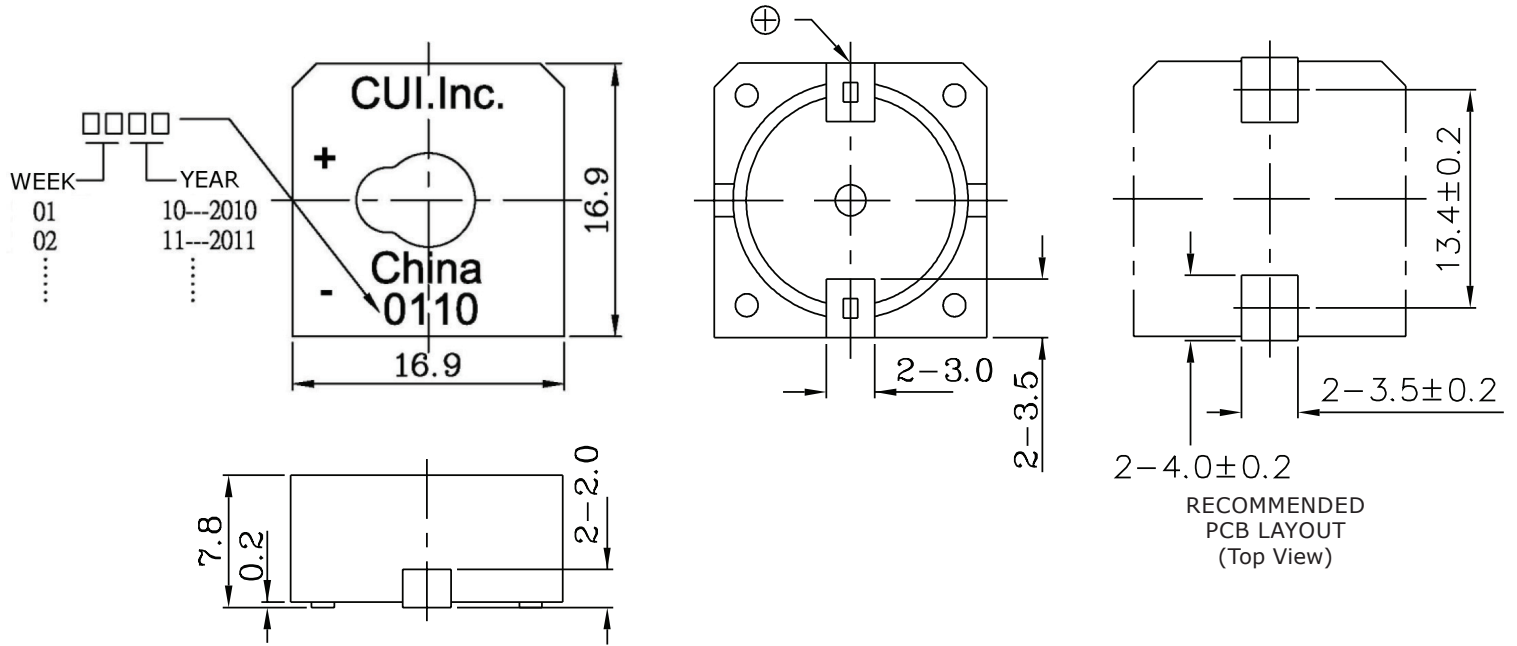
| parameter | conditions/description | min | typ | max | units |
|--------------------------------|--|-----|-----|-----|-------|
| reel storage | at relative humidity <60% | | | 30 | °C |
| reflow soldering ³ | see recommended reflow soldering profile | | | 260 | °C |
| drying conditions ⁴ | bake at 40°C for 24 hours | | | | |

Note: 3. It is recommended to reflow solder within 48 hours from opening vacuum packaging at a temperature <30°C & relative humidity <60%.
4. When out of packaging for more than 48 hours.



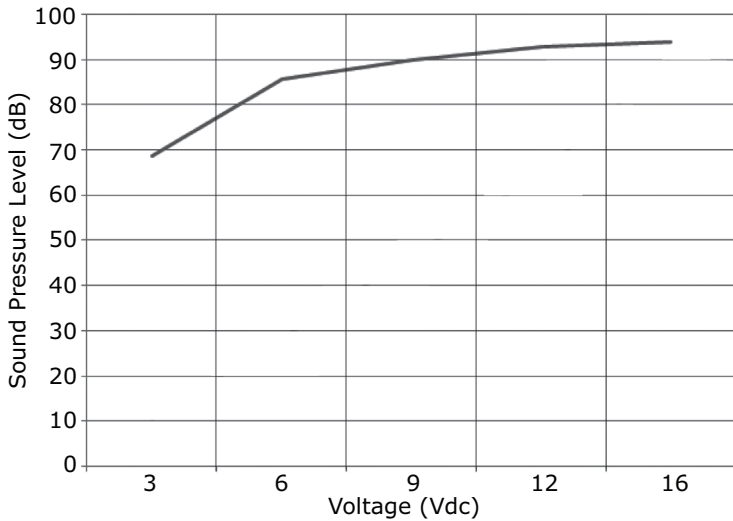
MECHANICAL DRAWING

units: mm
tolerance: ± 0.5 mm

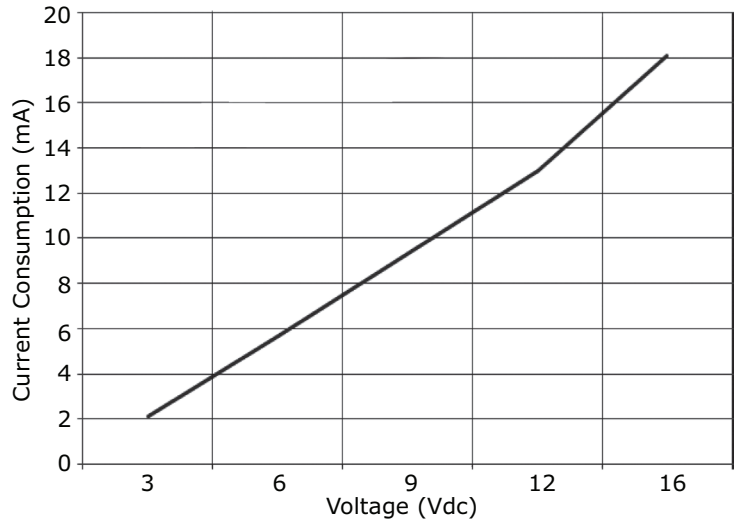


PERFORMANCE CURVES

Voltage vs. Sound Pressure Level



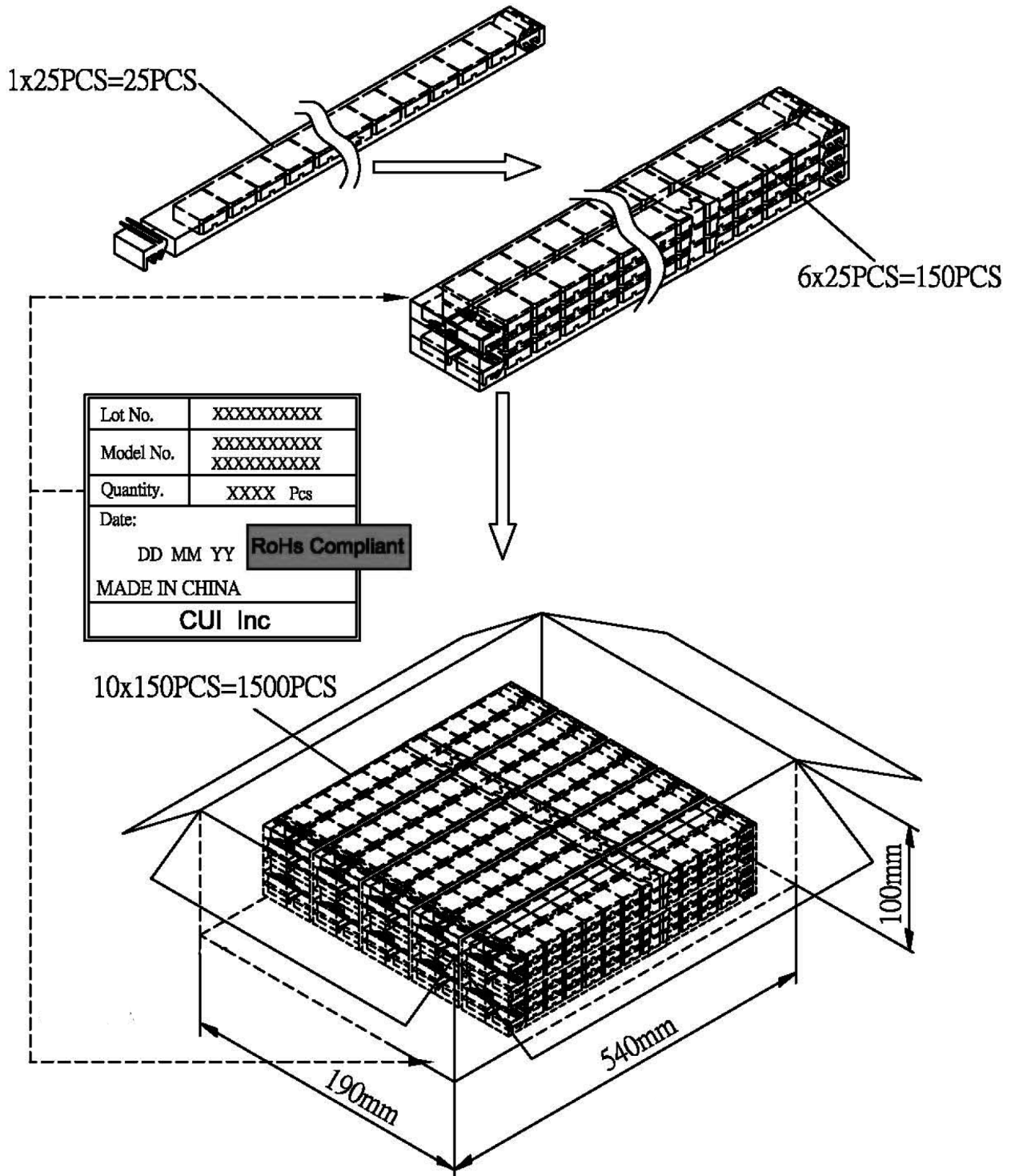
Voltage vs. Current Consumption



PACKAGING (TUBE)

units: mm

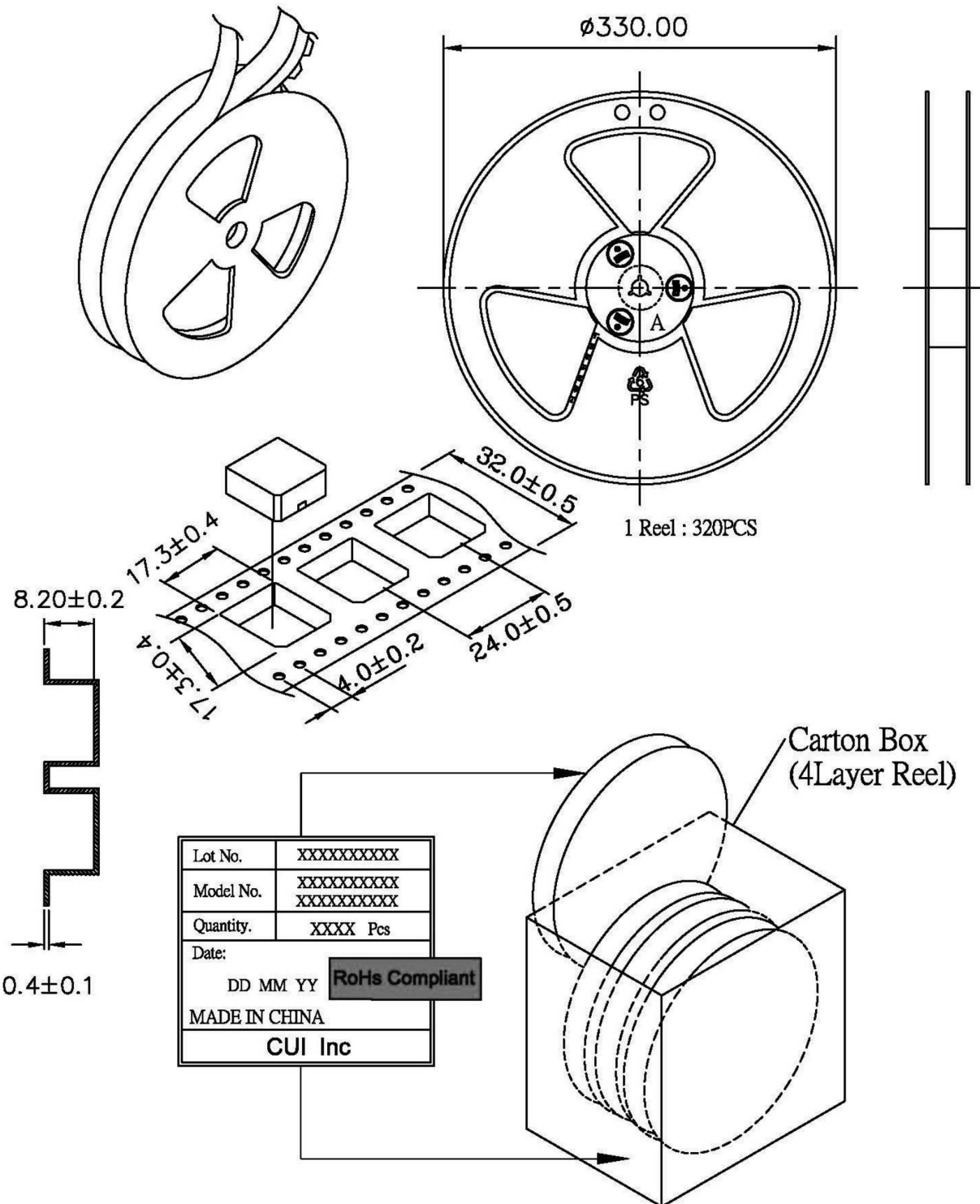
Tube Size: 450 x 18.6 x 9.7 mm
 Six Tube Size: 450 x 37.2 x 29.1 mm
 Carton Size: 540 x 190 x 100 mm
 Tube QTY: 25 pcs per tube
 Six Tube QTY: 150 pcs per six tube
 Carton QTY: 1,500 pcs per carton



PACKAGING (TAPE & REEL)

units: mm

Reel Size: Ø330 mm
 Carton Size: 349 x 177 x 359 mm
 Reel QTY: 320 pcs per reel
 Carton QTY: 1,280 pcs per carton



REVISION HISTORY

| rev. | description | date |
|------|--|------------|
| 1.0 | initial release | 06/03/2005 |
| 1.01 | updated part number, applied new spec template | 05/13/2013 |
| 1.02 | internal IC changed | 06/29/2017 |
| 1.03 | voltage range adjusted | 09/28/2017 |
| 1.04 | added storage and drying conditions, added TR package option | 11/30/2018 |
| 1.05 | brand update | 01/07/2020 |

The revision history provided is for informational purposes only and is believed to be accurate.

CUI DEVICES

CUI Devices offers a one (1) year limited warranty. Complete warranty information is listed on our website.

CUI Devices reserves the right to make changes to the product at any time without notice. Information provided by CUI Devices is believed to be accurate and reliable. However, no responsibility is assumed by CUI Devices for its use, nor for any infringements of patents or other rights of third parties which may result from its use.

CUI Devices products are not authorized or warranted for use as critical components in equipment that requires an extremely high level of reliability. A critical component is any component of a life support device or system whose failure to perform can be reasonably expected to cause the failure of the life support device or system, or to affect its safety or effectiveness.

X-ON Electronics

Largest Supplier of Electrical and Electronic Components

Click to view similar products for [Piezo Buzzers & Audio Indicators](#) category:

Click to view products by [CUI Devices](#) manufacturer:

Other Similar products are found below :

[6-4](#) [68S1240-PA](#) [MBA-624](#) [FDG06PSLLF](#) [FDG111PLF](#) [PF-35N29WQ](#) [PFD-21A29W](#) [PFD-27A35PQ](#) [PL-21N30WQ](#) [PL-27A35PSQ](#) [PLD-21N30W](#) [PLD-21N30WQ](#) [PS-531Q](#) [PT-3534FP](#) [EBPT-401](#) [B822B](#) [PB-1220PEQ](#) [S6109](#) [SBM616PR](#) [SC110E](#) [SC2036ACP](#) [SC616N-2](#) [SC628FW](#) [SC628MPG](#) [SC648D](#) [SCS045MD9DT3S](#) [ESZ-25B-5-250B](#) [FCM12PLF](#) [SSX-52SA](#) [F/EB20P-DR LF](#) [F/SMD03A LF](#) [FSMD8585JSLF](#) [F/TCW 12 WITH LABEL LF](#) [F/UCW 06 WITH LABEL LF](#) [PFD-27N36W](#) [PKM22EPPH40S1-B0](#) [PKM35-4A0](#) [PL-35N29WQ](#) [PLD-27A35PQ](#) [CM-5](#) [REF-202](#) [B/SE 128 RED LF](#) [KBS-20DA-7AS](#) [KBS-27DA-5C-105](#) [LSC628ANR](#) [03-810.001](#) [RTO-1R07-001](#) [PL-21N31PQ](#) [F-B-P1405ISB LF](#) [B/CP 28B BLACK LF](#)