

**MODEL:** CMS-3150-26SP | **DESCRIPTION:** SPEAKER**FEATURES**

- 6 ohm rated impedance
- 2.0 W rated power
- 310 Hz resonance frequency

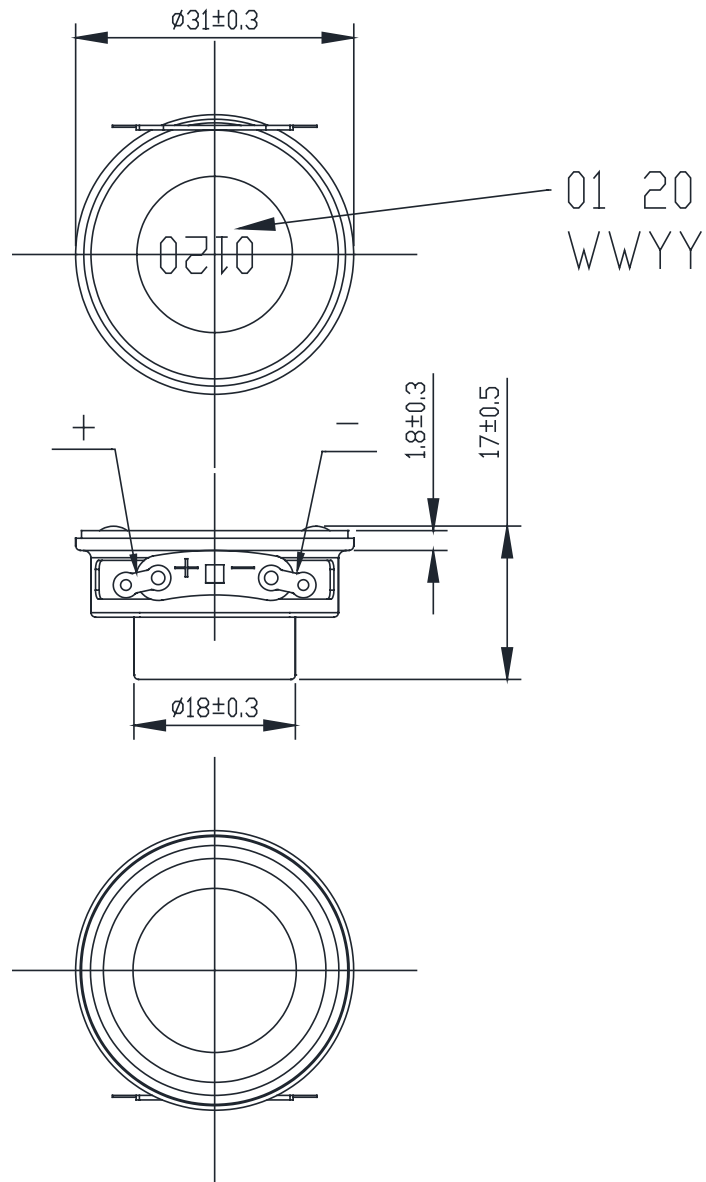
**SPECIFICATIONS**

| parameter               | conditions/description   | min | typ  | max    | units              |
|-------------------------|--|-----|------|--------|--------------------|
| input power             | max power: IEC-60268-5, filter 60 seconds on, 120 seconds off, 10 cycles (room temp) |     | 2.0  | 2.5    | W                  |
| impedance               | at 2.0 kHz, 1.0 Vrms   | 5.1 | 6    | 6.9    | $\Omega$           |
| resonant frequency (Fo) | at 2.0 V   | 248 | 310  | 372    | Hz                 |
| frequency response      |  | Fo  |      | 20,000 | Hz                 |
| sound pressure level    | at 2.0 W, 10 cm, avg at 0.6, 0.8, 1.0, 1.2 kHz                                       | 94  | 97   | 100    | dB                 |
| distortion              | at 1.0 kHz, rated power, 10 cm   |     |      | 10     | %                  |
| buzz, rattle, etc.      | must be normal at sine wave, Fo~20 kHz   |     |      | 3.46   | V                  |
| polarity                | cone moves forward w/ positive dc current to "+" terminal                            |     |      |        |                    |
| dimensions              | $\varnothing 31.0 \times 17$   |     |      |        | mm                 |
| magnet                  | Nd-Fe-B  |     |      |        |                    |
| frame material          | iron   |     |      |        |                    |
| cone material           | PU+AL  |     |      |        |                    |
| terminal                | solder eyelets   |     |      |        |                    |
| weight                  |  |     | 14.9 |        | g                  |
| operating temperature   |  | -30 |      | 70     | $^{\circ}\text{C}$ |
| storage temperature     |  | -40 |      | 85     | $^{\circ}\text{C}$ |
| hand soldering          | for maximum 3 seconds  | 370 | 380  | 390    | $^{\circ}\text{C}$ |
| RoHS                    | yes  |     |      |        |                    |

Notes: 1. All specifications measured at 5~35 $^{\circ}\text{C}$ , humidity at 45~85%, under 86~106 kPa pressure, unless otherwise noted.

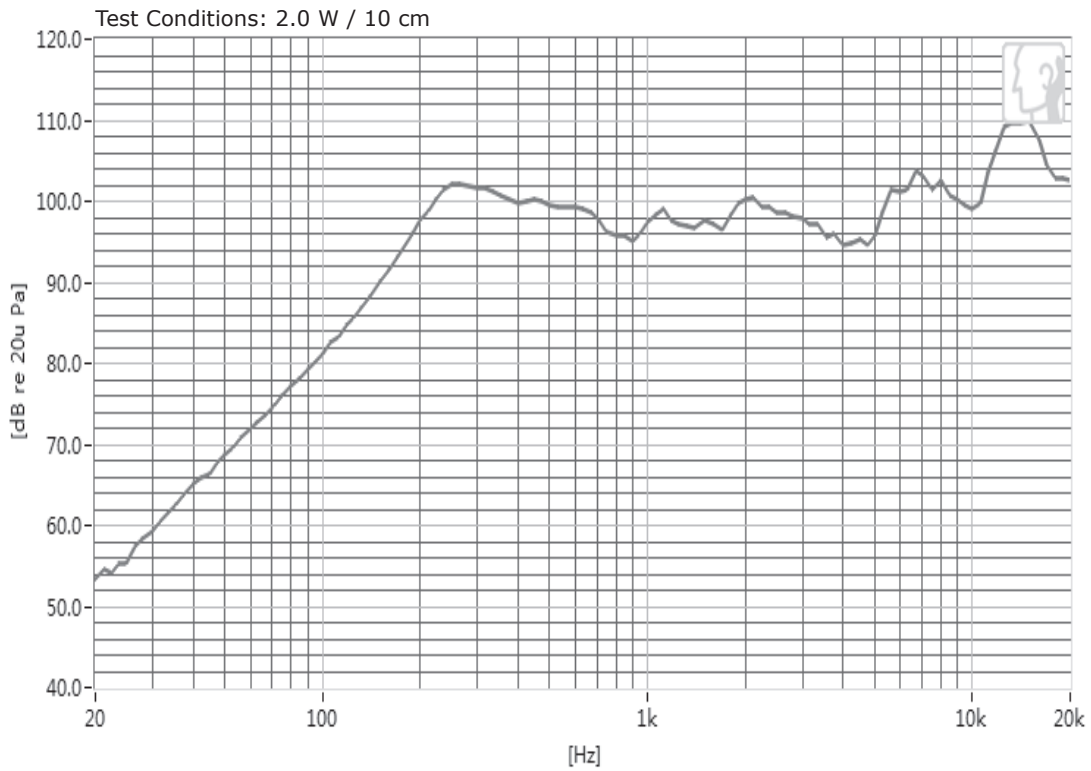
## MECHANICAL DRAWING

units: mm  
tolerance:  $\pm 0.5$  mm

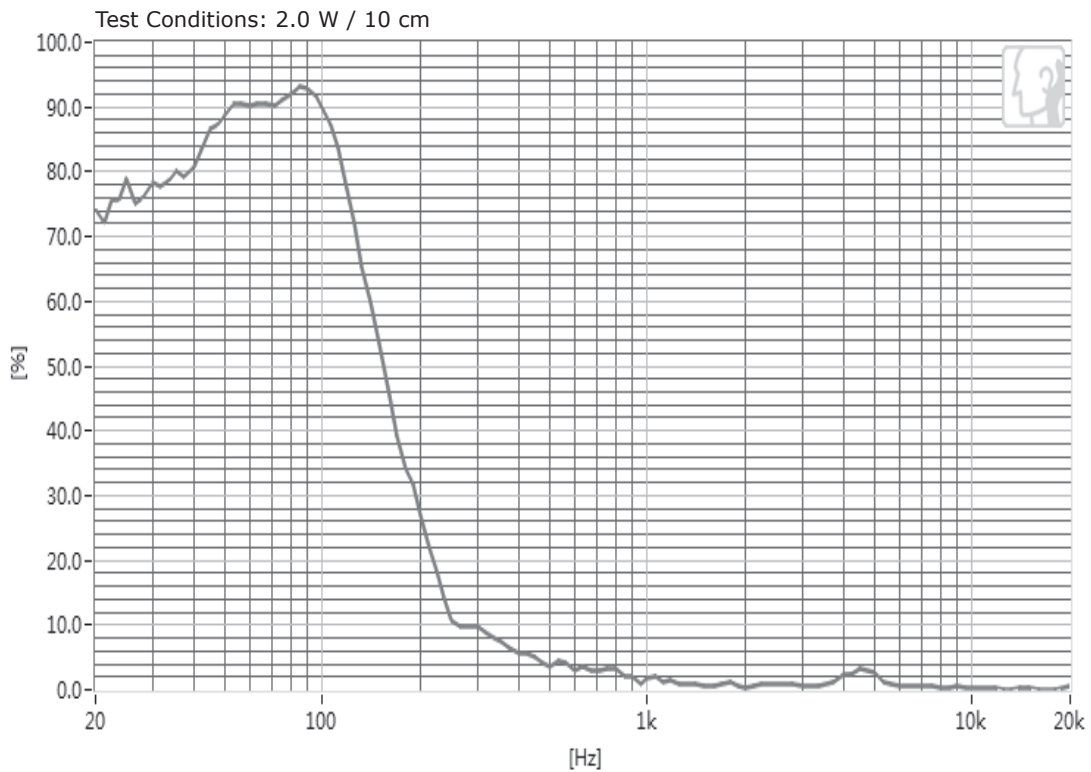


## RESPONSE CURVES

### Frequency Response Curve



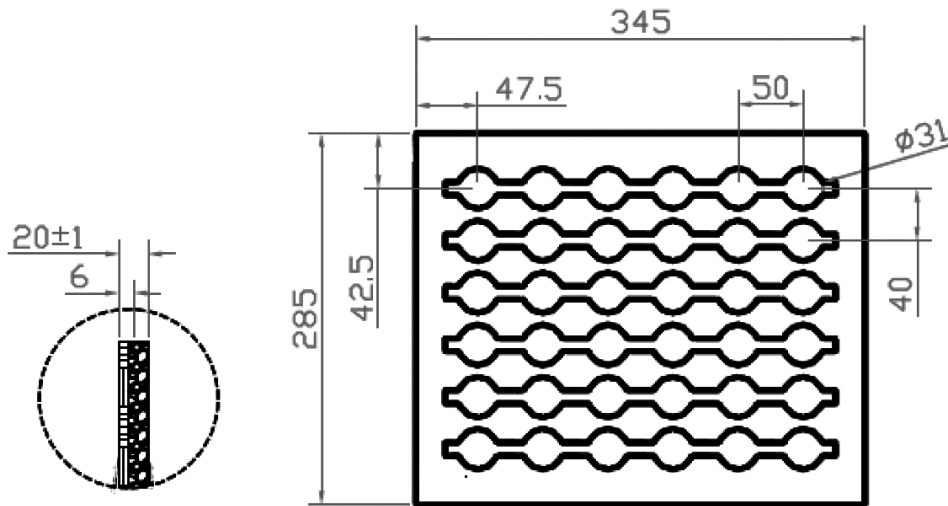
### Total Harmonic Distortion Curve



## PACKAGING

units: mm

Tray Size: 345 x 285 x 26 mm  
 Tray QTY: 36 pcs per tray  
 Carton Size: 360 x 300 x 285 mm  
 Carton QTY: 360 pcs per carton



|               |                       |
|---------------|-----------------------|
| Lot No.       | XXXXXXXXXX            |
| Part No.      | CUI Inv.<br>CUI Part# |
| Quantity.     | XXXX Pcs              |
| Date:         | DD MM YY              |
| MADE IN CHINA |                       |
| CUI DEVICES   |                       |

**RoHS Compliant**

## REVISION HISTORY

---

| rev. | description             | date       |
|------|-------------------------|------------|
| 1.0  | initial release         | 06/08/2020 |
| 1.01 | added date code marking | 01/05/2021 |

The revision history provided is for informational purposes only and is believed to be accurate.

---

# CUI DEVICES

CUI Devices offers a one (1) year limited warranty. Complete warranty information is listed on our website.

CUI Devices reserves the right to make changes to the product at any time without notice. Information provided by CUI Devices is believed to be accurate and reliable. However, no responsibility is assumed by CUI Devices for its use, nor for any infringements of patents or other rights of third parties which may result from its use.

CUI Devices products are not authorized or warranted for use as critical components in equipment that requires an extremely high level of reliability. A critical component is any component of a life support device or system whose failure to perform can be reasonably expected to cause the failure of the life support device or system, or to affect its safety or effectiveness.

## X-ON Electronics

Largest Supplier of Electrical and Electronic Components

*Click to view similar products for [Speakers & Transducers](#) category:*

*Click to view products by [CUI Devices](#) manufacturer:*

Other Similar products are found below :

[FC-30814-P127](#) [AS02832MR-2-R](#) [PB-1220PE](#) [PB-2015PQ](#) [900-00001](#) [AB2025B-LW50-R](#) [SWFK-31736-000](#) [PT-2065FW](#) [PT-4175W](#) [AT-2830-TW-LW35-R](#) [ED-30761-000](#) [CI-30120-A42](#) [SMT-0440-T-2-R](#) [PB-0927PQ](#) [BF-7083-000](#) [SMS2020-08H4.5 LF](#) [BDT1717-08H6.5W56MLF](#) [GSPK1003PN-8R0.2W-L100](#) [GSPK151103TN-8R0.2W](#) [GSPK2014035PN-8R0.5W-L100](#) [FS5353DS0830-H19.3](#) [TE082703-8](#) [XMLP040BD21F](#) [AS03608MR-LW100-R](#) [24520](#) [SMT-0540-S-2-R](#) [1450069](#) [9091653](#) [9091661](#) [IPS-G6000-5](#) [9090231](#) [FS4014-4-2W](#) [PBM4-13.B29R.A115.0663](#) [PBM4-13.B31R.A115.0663](#) [PBM4-13.B33R.A115.0663](#) [PBM4-13.B35R.A115.0663](#) [A-10-6-BG360-HD1Z-GA-M4Z-ZW](#) [A-10-6-BG410-HD1Z-AA-AGZ-ZW](#) [A-10-6-BG410-HD1Z-AA-M4Z-ZW](#) [A-10-6-BG410-HD1Z-FC-AGZ-ZW](#) [A-10-6-BG410-HD1Z-GA-M4Z-ZW](#) [A-10-6-BG310-HD1Z-AA-AGZ-ZW](#) [A-10-6-BG310-HD1Z-AA-M4Z-ZW](#) [A-10-6-BG310-HD1Z-GA-M4Z-ZW](#) [A-10-6-BG316-HD1Z-AA-AGZ-ZW](#) [A-10-6-BG316-HD1Z-AA-M4Z-ZW](#) [A-10-6-BG325-HD1Z-AA-AGZ-ZW](#) [A-10-6-BG325-HD1Z-AA-M4Z-ZW](#) [A-10-6-BG340-HD1Z-AA-AGZ-ZW](#) [A-10-6-BG340-HD1Z-AA-M4Z-ZW](#)