

MODEL: CPI-2416-100T | **DESCRIPTION:** PIEZO BUZZER INDICATOR**FEATURES**

- 12 Vdc rated
- through hole
- continuous, slow, and fast pulse tone modes

**SPECIFICATIONS**

parameter	conditions/description	min	typ	max	units
rated voltage			12		Vdc
operating voltage		4		18	Vdc
current consumption	measured by FLUKE 87V at rated voltage			25	mA
rated frequency	see performance curves section	2,900	3,400	3,900	Hz
sound pressure level	continuous at 10 cm, rated voltage	100			dB
	slow pulse at 10 cm, rated voltage	100			dB
	fast pulse at 10 cm, rated voltage	100			dB
tone	continuous				
	slow pulse at rated voltage (1.0 ±30% Hz)				
	fast pulse at rated voltage (2.5 ±30% Hz)				
dimensions	Ø24.5 x 16.0				mm
weight				5.0	g
material	ABS (UL94V-0)				
terminal	pins (gold plating)				
operating temperature		-30		85	°C
storage temperature		-40		95	°C
washable	no				
RoHS	yes				

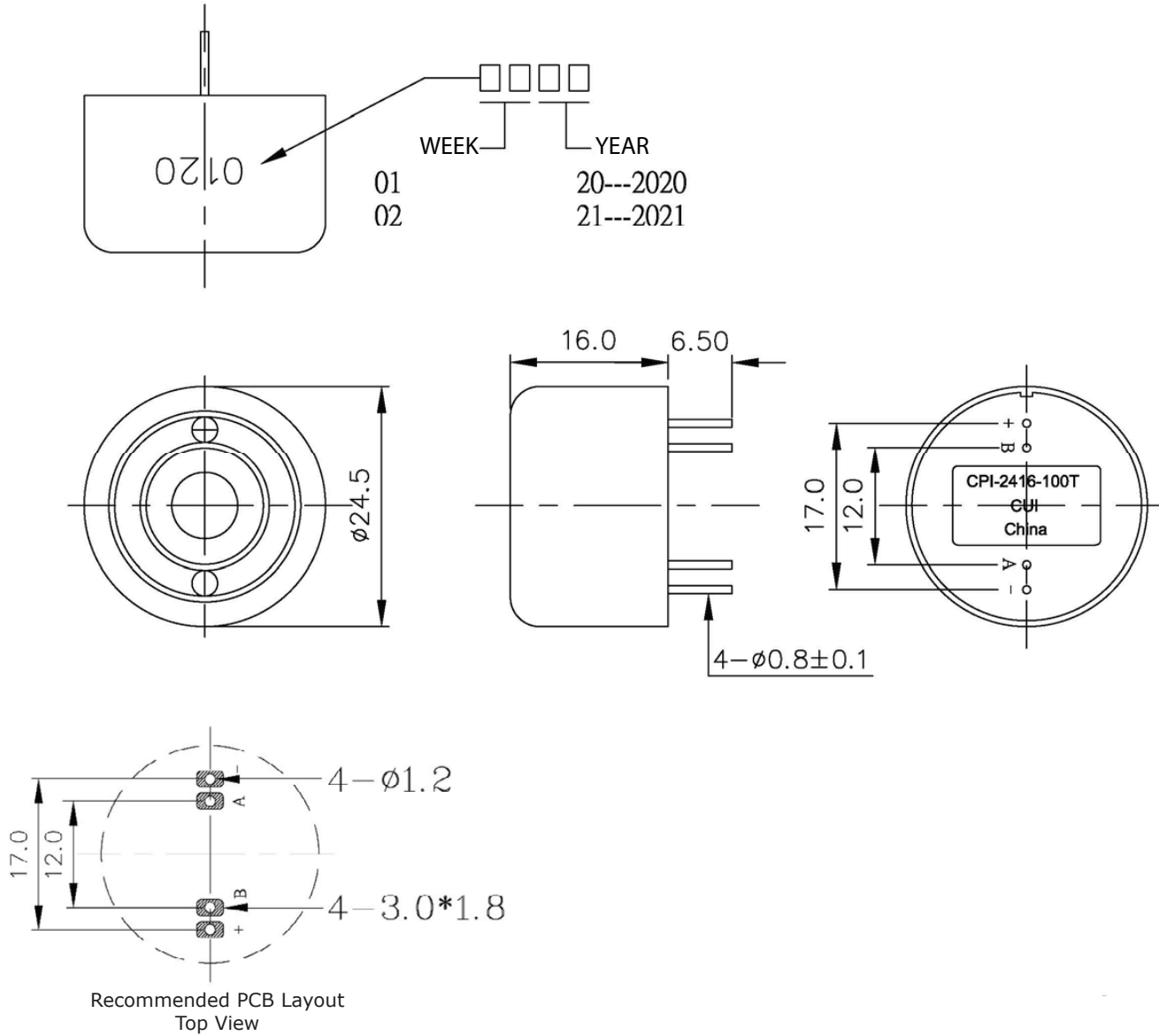
Notes: 1. All specifications measured at 5~35°C, humidity at 45~85%, under 86~106kPa pressure, unless otherwise noted.

SOLDERABILITY

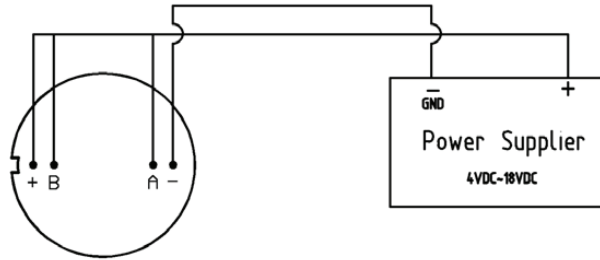
parameter	conditions/description	min	typ	max	units
hand soldering	maximum 3 seconds	340	350	360	°C

MECHANICAL DRAWING

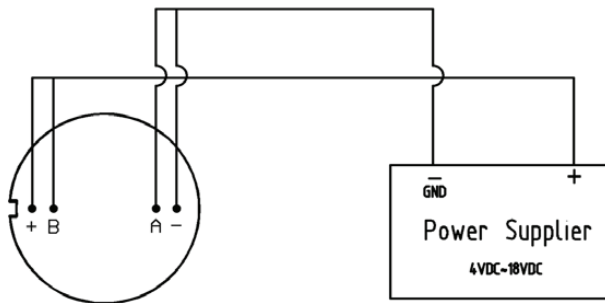
units: mm
tolerance: ± 0.5 mm



OPERATING MODES

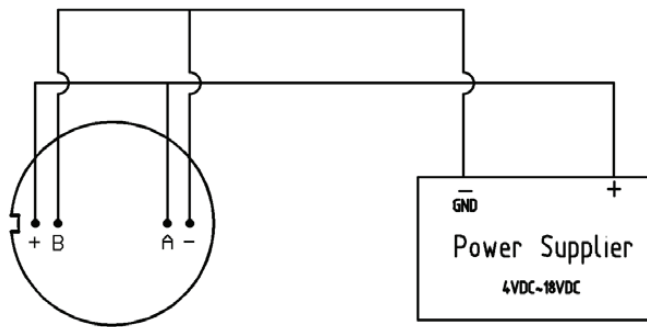


Continuous Mode



Slow Pulse Mode

Pulse Rate at 12VDC : 10±30%Hz



Fast Pulse Mode

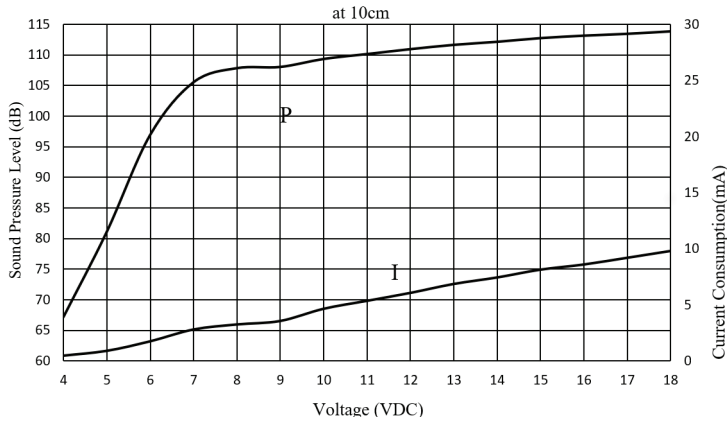
Pulse Rate at 12VDC : 2.5±30%Hz

MODE	TERMINAL A	TERMINAL B
continuous	high	high
slow pulse	low	high
fast pulse	high	low

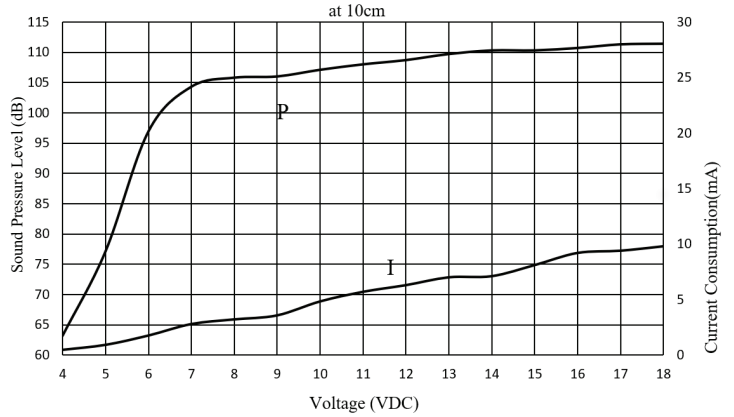
Low: GND; High: 4~18 Vdc

PERFORMANCE CURVES

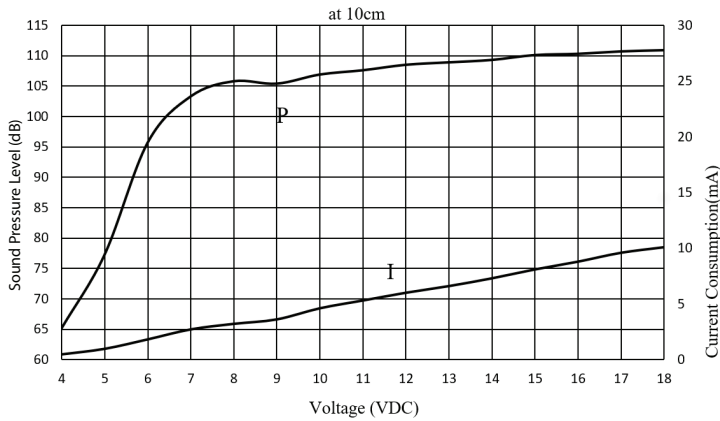
P: Voltage vs. Sound Pressure Level
I: Voltage vs. Current Consumption
(Continuous Mode)



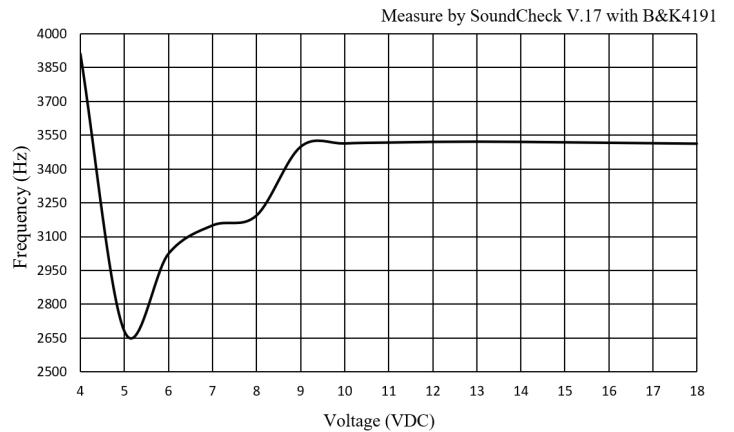
P: Voltage vs. Sound Pressure Level
I: Voltage vs. Current Consumption
(Slow Pulse Mode)



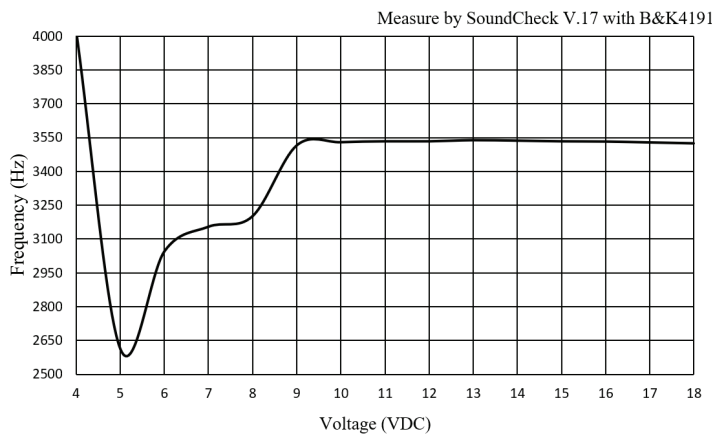
P: Voltage vs. Sound Pressure Level
I: Voltage vs. Current Consumption
(Fast Pulse Mode)



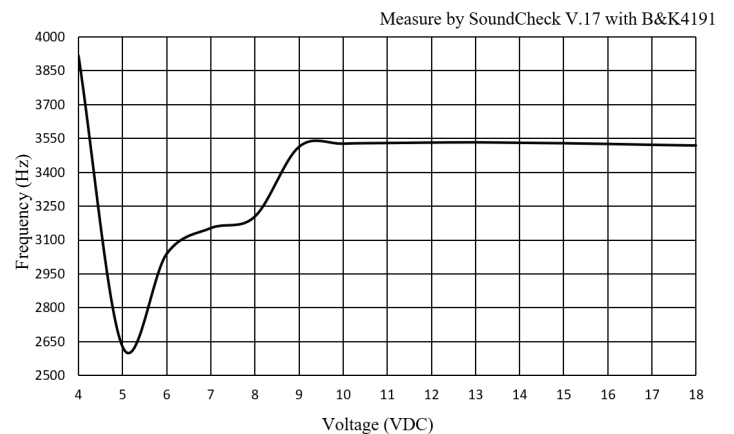
Voltage vs. Frequency
(Continuous Mode)



Voltage vs. Frequency
(Slow Pulse Mode)



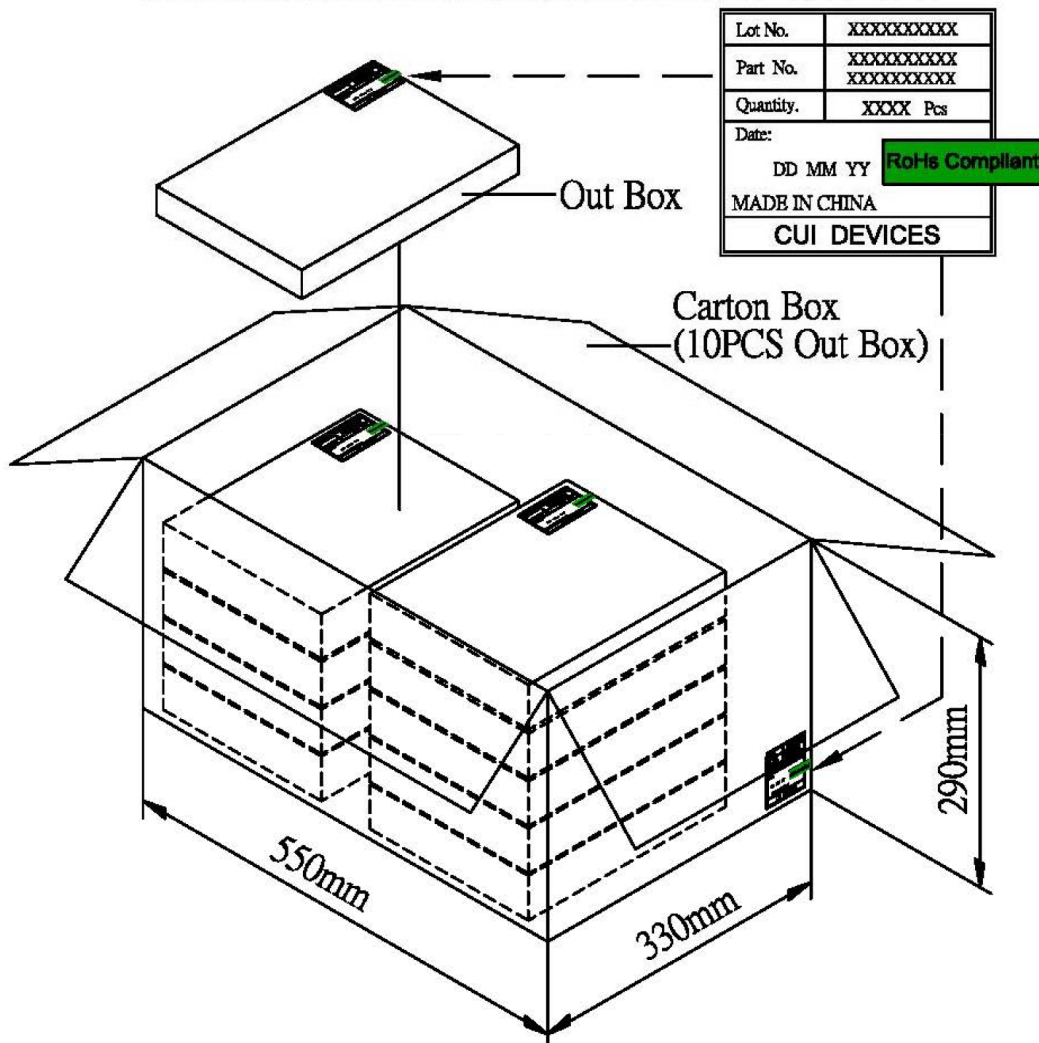
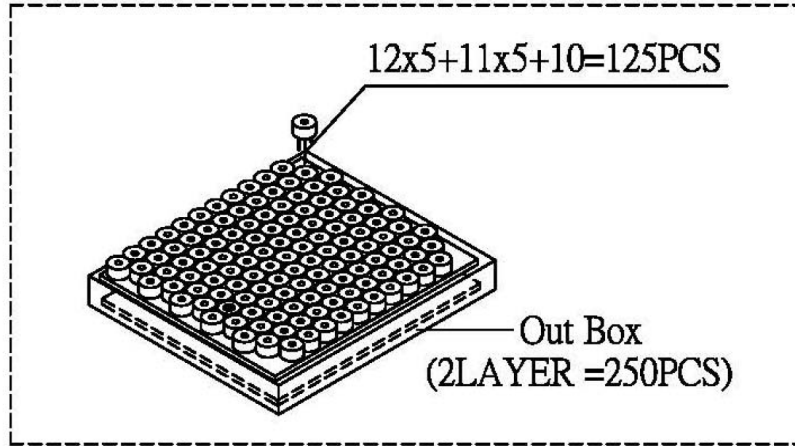
Voltage vs. Frequency
(Fast Pulse Mode)



PACKAGING

units: mm

Carton Size: 550 x 330 x 290 mm
 Carton QTY: 2,500 pcs per carton



REVISION HISTORY

rev.	description	date
1.0	initial release	09/15/2020

The revision history provided is for informational purposes only and is believed to be accurate.

CUI DEVICES

CUI Devices offers a one (1) year limited warranty. Complete warranty information is listed on our website.

CUI Devices reserves the right to make changes to the product at any time without notice. Information provided by CUI Devices is believed to be accurate and reliable. However, no responsibility is assumed by CUI Devices for its use, nor for any infringements of patents or other rights of third parties which may result from its use.

CUI Devices products are not authorized or warranted for use as critical components in equipment that requires an extremely high level of reliability. A critical component is any component of a life support device or system whose failure to perform can be reasonably expected to cause the failure of the life support device or system, or to affect its safety or effectiveness.

X-ON Electronics

Largest Supplier of Electrical and Electronic Components

Click to view similar products for [Piezo Buzzers & Audio Indicators](#) category:

Click to view products by [CUI Devices](#) manufacturer:

Other Similar products are found below :

[6-4](#) [68S1240-PA](#) [MBA-624](#) [FDG06PSLLF](#) [FDG111PLF](#) [PF-35N29WQ](#) [PFD-21A29W](#) [PFD-27A35PQ](#) [PL-21N30WQ](#) [PL-27A35PSQ](#) [PLD-21N30W](#) [PLD-21N30WQ](#) [PS-531Q](#) [PT-3534FP](#) [EBPT-401](#) [B822B](#) [PB-1220PEQ](#) [S6109](#) [SBM616PR](#) [SC110E](#) [SC2036ACP](#) [SC616N-2](#) [SC628FW](#) [SC628MPG](#) [SC648D](#) [SCS045MD9DT3S](#) [ESZ-25B-5-250B](#) [FCM12PLF](#) [SSX-52SA](#) [F/EB20P-DR LF](#) [F/SMD03A LF](#) [FSMD8585JSLF](#) [F/TCW 12 WITH LABEL LF](#) [F/UCW 06 WITH LABEL LF](#) [PFD-27N36W](#) [PKM22EPPH40S1-B0](#) [PKM35-4A0](#) [PL-35N29WQ](#) [PLD-27A35PQ](#) [CM-5](#) [REF-202](#) [B/SE 128 RED LF](#) [KBS-20DA-7AS](#) [KBS-27DA-5C-105](#) [LSC628ANR](#) [03-810.001](#) [RTO-1R07-001](#) [PL-21N31PQ](#) [F-B-P1405ISB LF](#) [B/CP 28B BLACK LF](#)