

MODEL: CPI-4233-87T | **DESCRIPTION:** PIEZO BUZZER INDICATOR**FEATURES**

- pulsing tone
- 6~28 Vdc
- through hole

**SPECIFICATIONS**

| parameter | conditions/description | min | typ | max | units |
|-----------------------|---|-------|-------|-------|-------|
| rated voltage | | | 12 | | Vdc |
| operating voltage | | 6 | | 28 | Vdc |
| current consumption | at rated voltage | | | 9 | mA |
| rated frequency | | 2,300 | 2,800 | 3,300 | Hz |
| sound pressure level | at 30 cm, rated voltage | 87 | | | dB |
| tone | fast pulse at rated voltage (3.0 ±20% Hz) | | | | |
| dimensions | Ø42.5 x 33.0 | | | | mm |
| weight | | | | 36.5 | g |
| material | ABS (UL94 1/16" HB) | | | | |
| terminal | pins (gold plating) | | | | |
| operating temperature | | -30 | | 85 | °C |
| storage temperature | | -40 | | 95 | °C |
| washable | no | | | | |
| RoHS | yes | | | | |

Notes: 1. All specifications measured at 5~35°C, humidity at 45~85%, under 86~106 kPa pressure, unless otherwise noted.

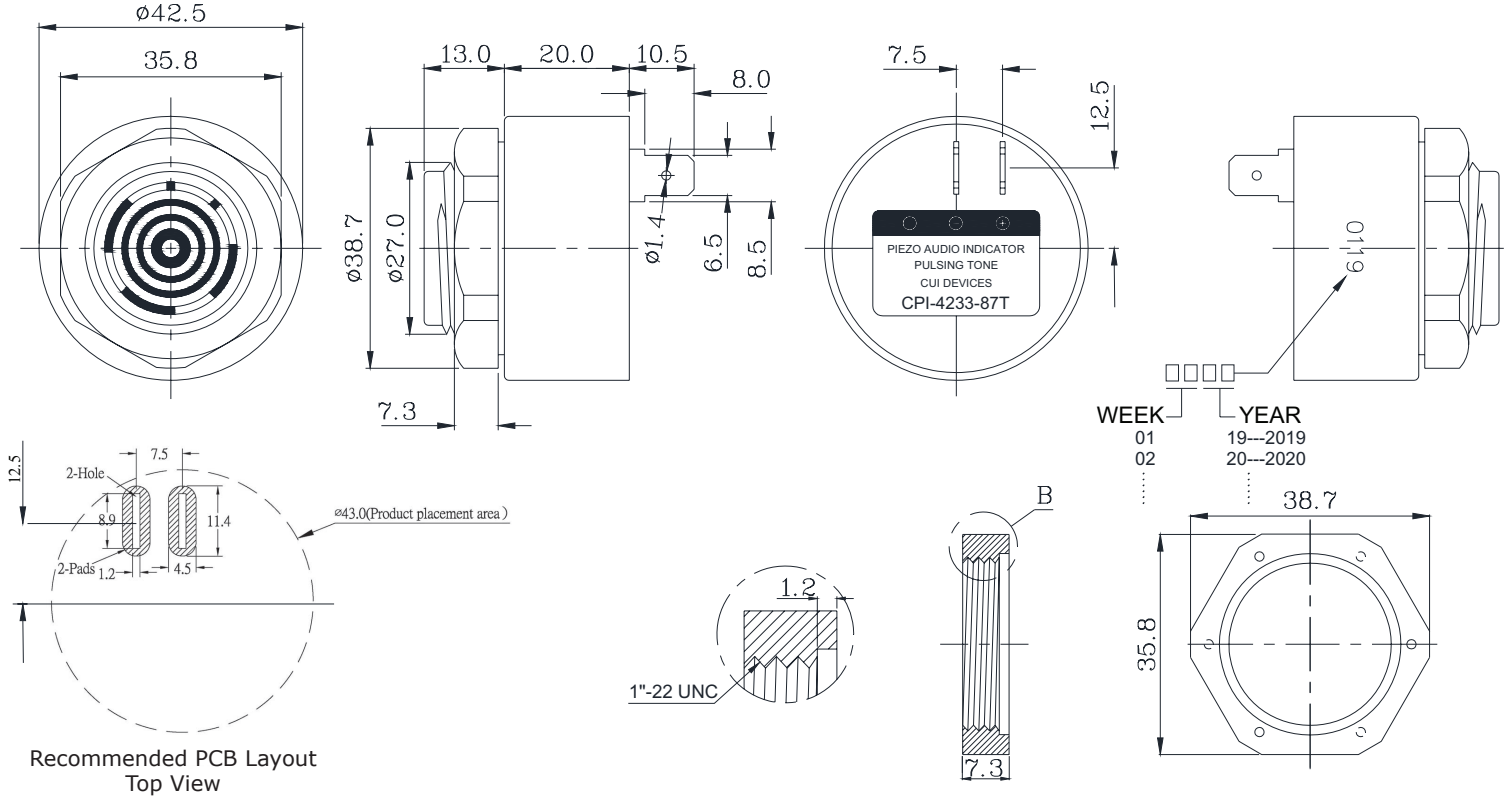
SOLDERABILITY

| parameter | conditions/description | min | typ | max | units |
|----------------|------------------------|-----|-----|-----|-------|
| hand soldering | maximum 3 seconds | 330 | 350 | 370 | °C |

MECHANICAL DRAWING

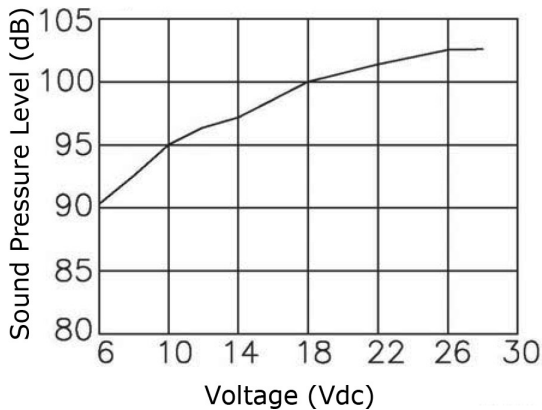
units: mm

tolerance: ±0.5 mm

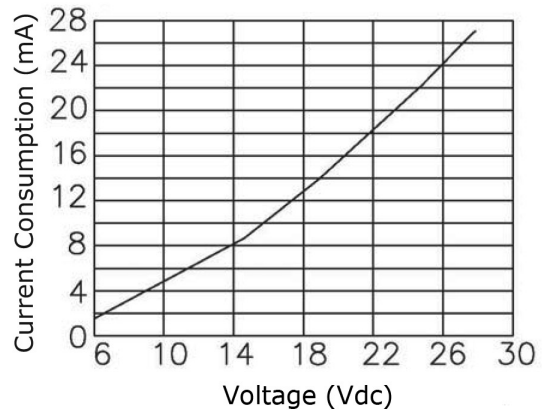


PERFORMANCE CURVES

Voltage vs. Sound Pressure Level at 30 cm



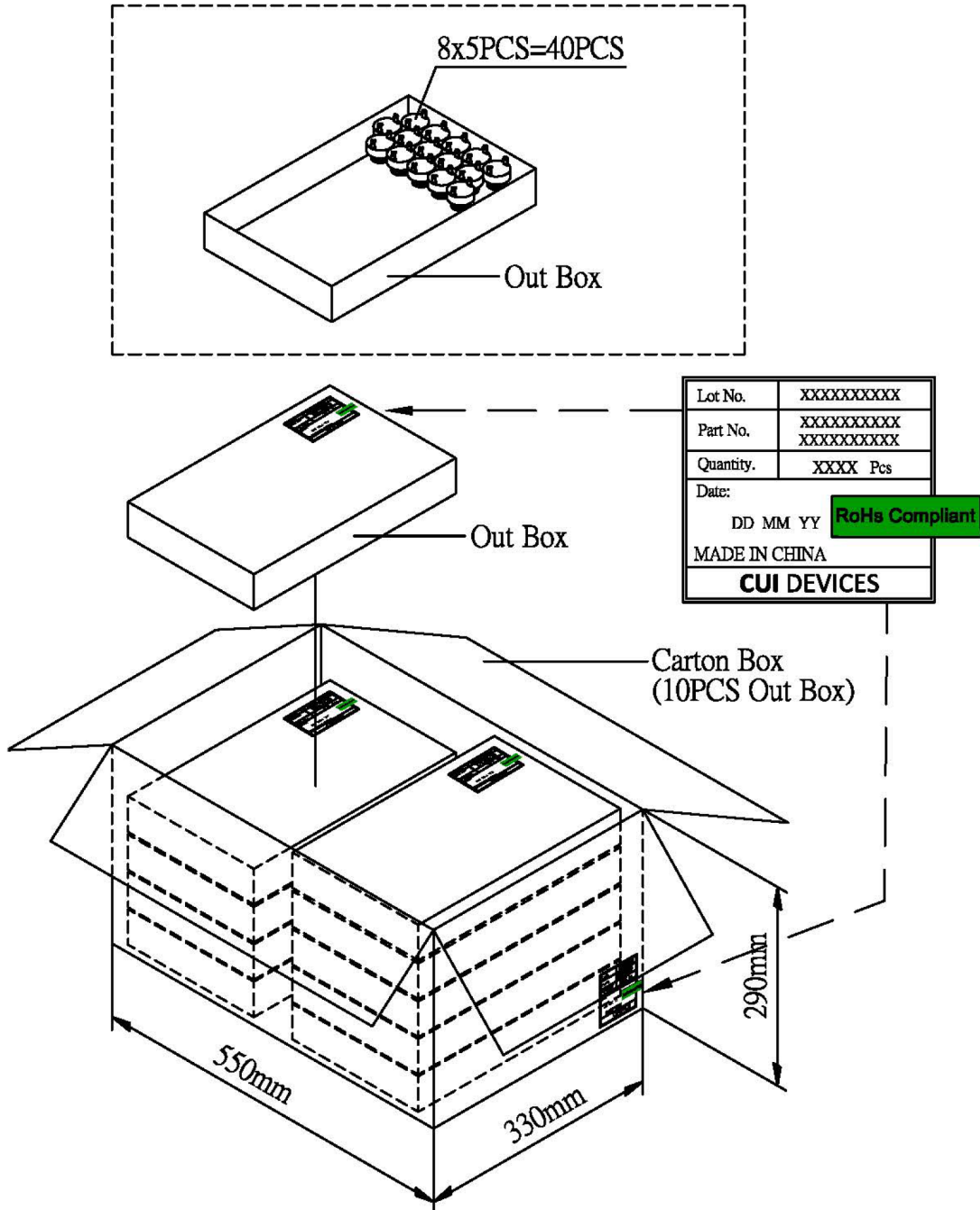
Voltage vs. Current Consumption



PACKAGING

units: mm

Carton Size: 550 x 330 x 290 mm
 Carton QTY: 400 pcs per carton



REVISION HISTORY

| rev. | description | date |
|------|-----------------|------------|
| 1.0 | initial release | 12/12/2019 |

The revision history provided is for informational purposes only and is believed to be accurate.

CUI DEVICES

CUI Devices offers a one (1) year limited warranty. Complete warranty information is listed on our website.

CUI Devices reserves the right to make changes to the product at any time without notice. Information provided by CUI Devices is believed to be accurate and reliable. However, no responsibility is assumed by CUI Devices for its use, nor for any infringements of patents or other rights of third parties which may result from its use.

CUI Devices products are not authorized or warranted for use as critical components in equipment that requires an extremely high level of reliability. A critical component is any component of a life support device or system whose failure to perform can be reasonably expected to cause the failure of the life support device or system, or to affect its safety or effectiveness.

X-ON Electronics

Largest Supplier of Electrical and Electronic Components

Click to view similar products for [Piezo Buzzers & Audio Indicators](#) category:

Click to view products by [CUI Devices](#) manufacturer:

Other Similar products are found below :

[6-4](#) [68S1240-PA](#) [MBA-624](#) [FDG06PSLLF](#) [FDG111PLF](#) [PF-35N29WQ](#) [PFD-21A29W](#) [PFD-27A35PQ](#) [PL-21N30WQ](#) [PL-27A35PSQ](#) [PLD-21N30W](#) [PLD-21N30WQ](#) [PS-531Q](#) [PT-3534FP](#) [EBPT-401](#) [B822B](#) [PB-1220PEQ](#) [S6109](#) [SBM616PR](#) [SC110E](#) [SC2036ACP](#) [SC616N-2](#) [SC628FW](#) [SC628MPG](#) [SC648D](#) [SCS045MD9DT3S](#) [ESZ-25B-5-250B](#) [FCM12PLF](#) [SSX-52SA](#) [F/EB20P-DR LF](#) [F/SMD03A LF](#) [FSMD8585JSLF](#) [F/TCW 12 WITH LABEL LF](#) [F/UCW 06 WITH LABEL LF](#) [PFD-27N36W](#) [PKM22EPPH40S1-B0](#) [PKM35-4A0](#) [PL-35N29WQ](#) [PLD-27A35PQ](#) [CM-5](#) [REF-202](#) [B/SE 128 RED LF](#) [KBS-20DA-7AS](#) [KBS-27DA-5C-105](#) [LSC628ANR](#) [03-810.001](#) [RTO-1R07-001](#) [PL-21N31PQ](#) [F-B-P1405ISB LF](#) [B/CP 28B BLACK LF](#)